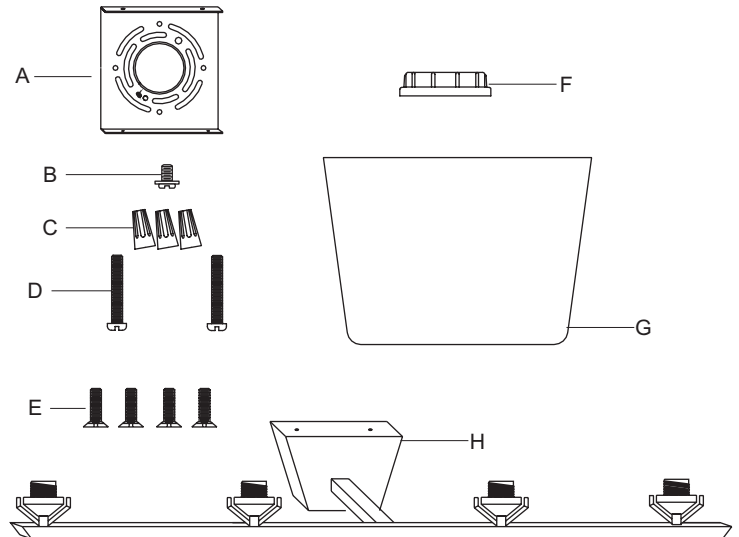


## PACKAGE CONTENTS

ISSUED 05-2014

UM-TST2901D

PART	DESCRIPTION	QUANTITY
A	Inner Backplate (Pre-assembled to fixture body)	1 pc
B	Green Ground Screw (Pre-assembled to Inner Backplate)	1 pc
C	Wire Connector	3 pcs
D	Outlet Box Screw	2 pcs
E	Mounting Screw (Pre-assembled to fixture body)	4 pcs
F	Socket Collar (Pre-assembled to fixture body)	4 pcs
G	Shade	4 pcs
H	Fixture Body	1 pc



## WARNINGS AND CAUTIONS

### WARNING:

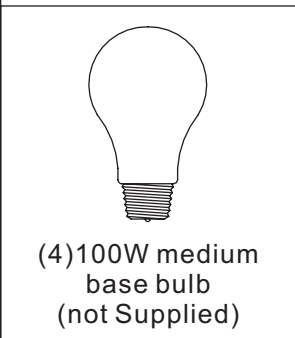
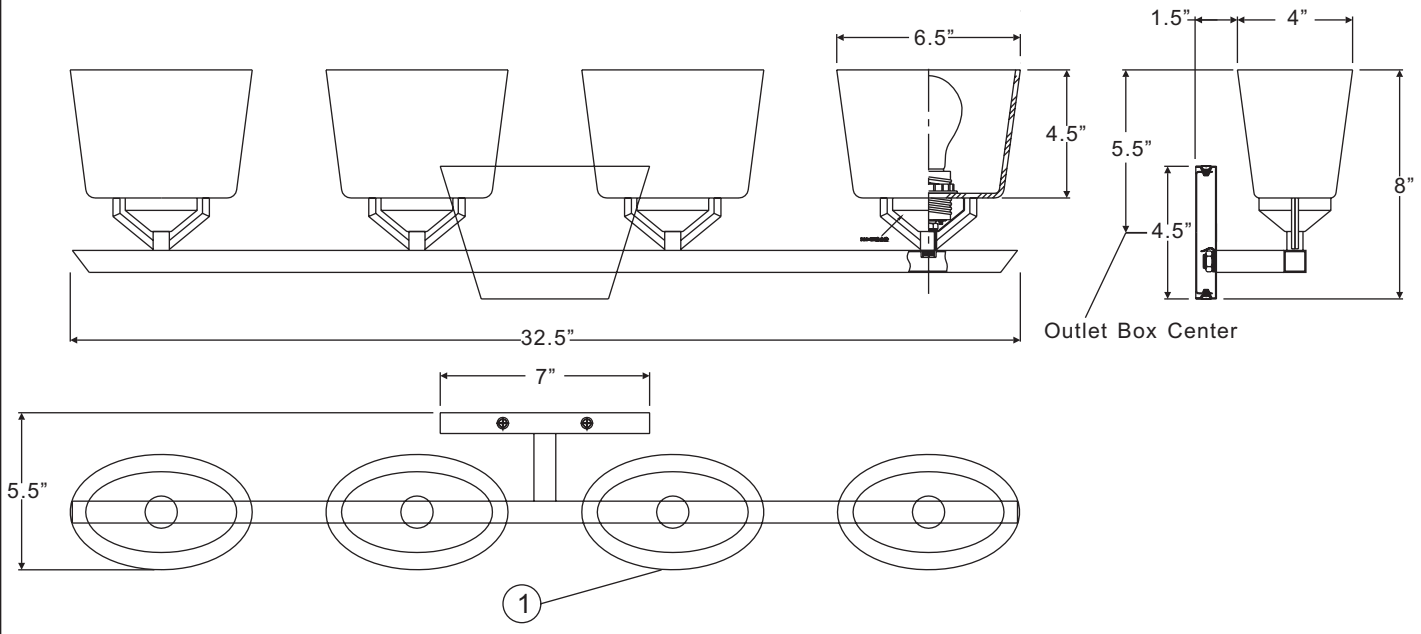
- Before beginning the installation, turn off electricity at the circuit breaker box or the main fuse box by switching off the circuit breaker or removing the fuse.

### CAUTION:

- These instructions are provided for your safety. It is very important that they are read completely before the installation of your fixture. We strongly recommend that a professional electrician install the fixture.
- Disconnect fixture from the power source before replacing the bulb(s), making sure that bulb(s) had sufficient time to cool down. DO NOT subject the lamp to any shock while lit as shattering of lamp may result.
- Do not touch the bulb with bare hands use a cloth or glove.

## PREPARATION

- Before beginning installation of product, make sure all parts are present. Compare parts with package contents list and diagram above. If any part is missing or damaged, do not attempt to assemble, install or operate the product. Contact customer service for replacement part.
- Estimated Assembly Time: 20 - 30 minutes
- **Bulb Recommended:** (4) Medium Base 100W Maximum, Alternate (4) CFL bulb.
- **Tools Required:** Flathead screwdriver, Phillips screwdriver, pliers, wire cutters, wire strippers, electrical tape, safety glasses.



NOTE: ALL DIMENSIONS ARE ROUNDED UP TO THE NEAREST 1/2"

NO.	PART NUMBER	REPLACEMENT PART DESCRIPTION	REQ.
1	G3896SH	Shade	4

## INSTALLATION INSTRUCTIONS

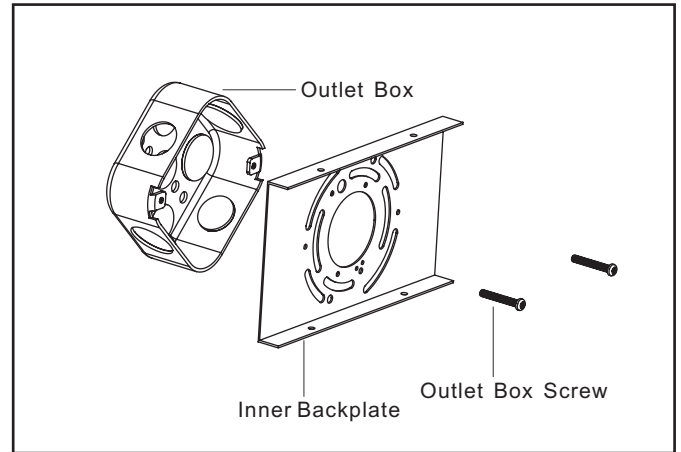
### STEP 1:

Note: Prior to installation, close or cover the sink drain and/or any vents near the installation site to prevent loss of mounting hardware if dropped.

- a. Remove the Inner Backplate from the Backplate on the Fixture Body as shown in STEP 3.

- b. Secure the Inner Backplate to the outlet box (not included) with Outlet Box Screws.

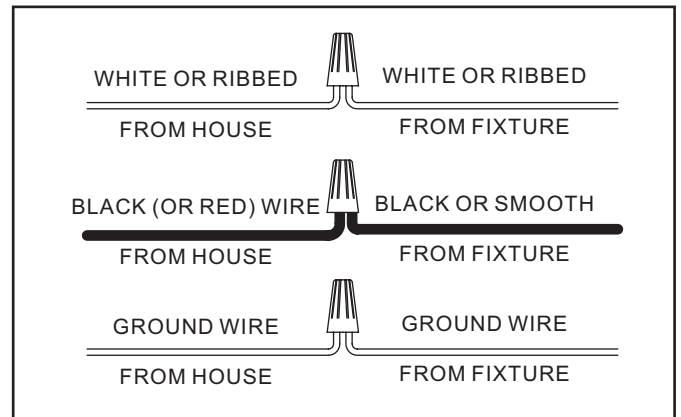
Note: Fixture Body can be installed with the sockets facing either up or down. The Inner Backplate should be adjusted accordingly to match the holes on the backplate of the Fixture Body.



### STEP 2:

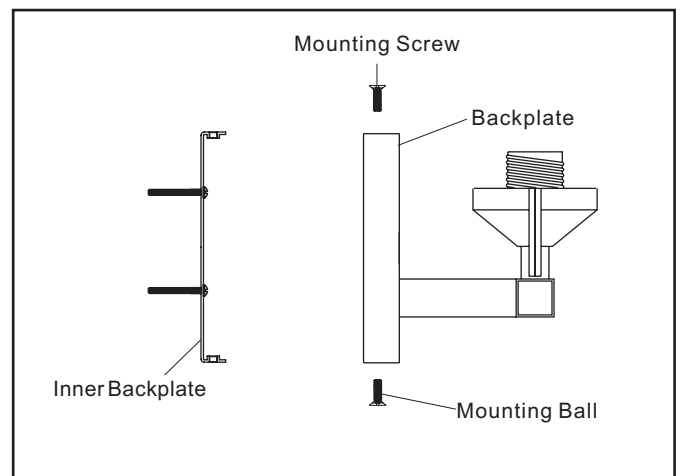
★ Use Wire Connectors to connect the wires.

- a. Connect the House Ground Wire to the Fixture Ground Wire.
- b. Connect the House White (or Ribbed) Wire to the Fixture Supply Wire (White or Ribbed Side).
- c. Connect the House Black (or Red) Wire to the Fixture Supply Wire (Black or Smooth Side).
- d. Wrap each connection with approved electrical tape and carefully stuff all of the connected wires into the Outlet Box.



### STEP 3:

- a. Carefully tuck all wires into the outlet box and position the Fixture Body over the outlet box. Line up holes on the Backplate and mounting holes on the folded edge of the Inner Backplate. Secure by threading Mounting Screws into the mounting holes on the Inner Backplate. Thread screws into top first. Do not fully tighten. Thread screws into bottom, tighten bottom screws with screwdriver. Then , tighten top screws with screwdriver.

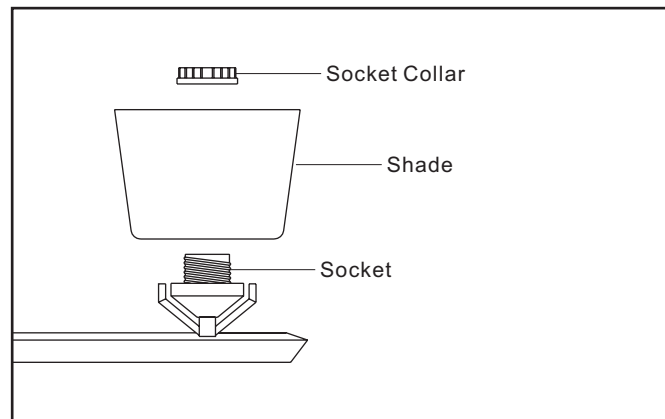


## INSTALLATION INSTRUCTIONS

---

### STEP 4:

- a. Remove the Socket Collar from the Socket on the Fixture Body. Locate the Shade over the Socket as shown. Secure by threading the Socket Collar onto the Socket. Hand-tighten until snug.



### STEP 5:

- a. Install correct bulbs referring to fixture markings and/or labels for maximum wattage.

Your installation is completed now. Restore electricity. Retain this sheet for future reference.