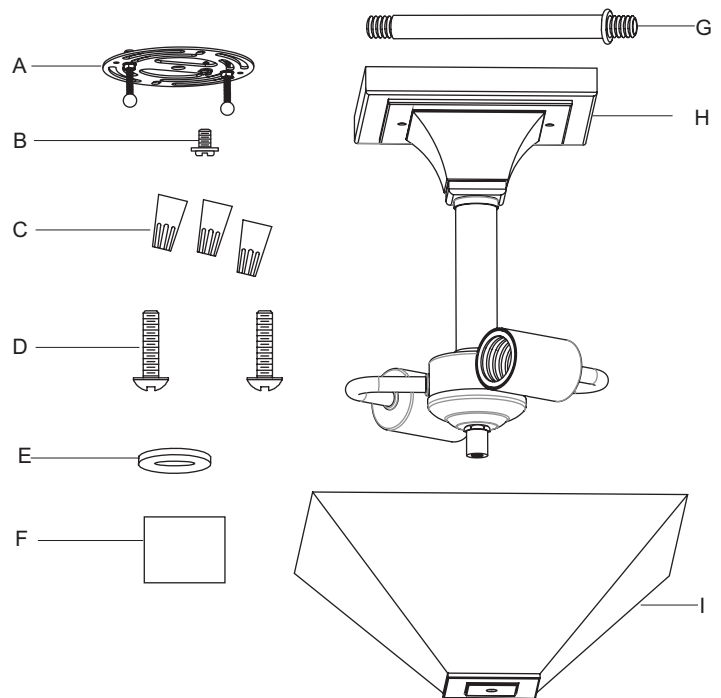


## PACKAGE CONTENTS

ISSUED 05-2014

UM-TST20511E

PART	DESCRIPTION	QUANTITY
A	Crossbar Assembly (Pre-assembled to Socket Assembly)	1 pc
B	Green Ground Screw (Pre-assembled to Crossbar)	1 pc
C	Wire Connector	3 pcs
D	Outlet Box Screw	2 pcs
E	Flat Washer	1 pc.
F	Finial	1 pc.
G	Center Stem	1 pc.
H	Socket Assembly	1 pc.
I	Shade	1 pc.



## ! WARNINGS AND CAUTIONS

### WARNING:

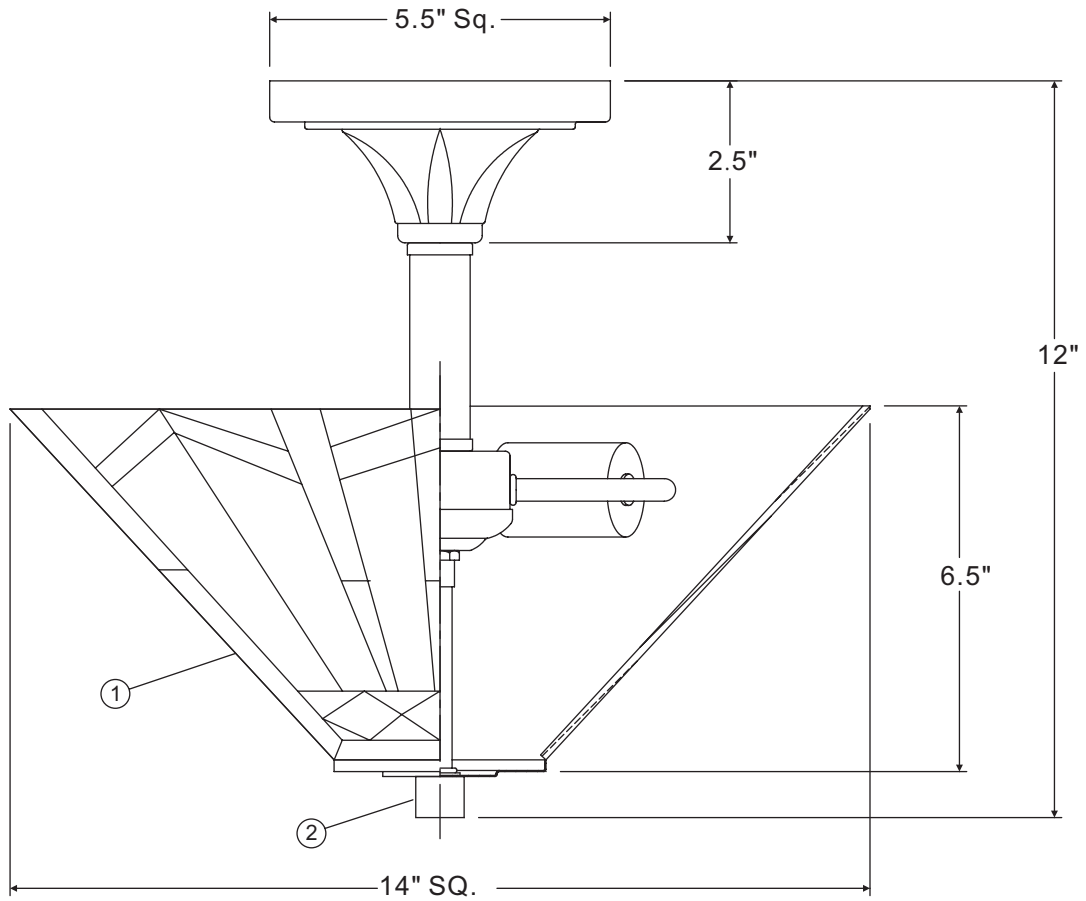
- Before beginning the installation, turn off electricity at the circuit breaker box or the main fuse box by switching off the circuit breaker or removing the fuse.

### CAUTION:

- These instructions are provided for your safety. It is very important that they are read completely before the installation of your fixture. We strongly recommend that a professional electrician install the fixture.
- Disconnect fixture from the power source before replacing the bulb(s), making sure that bulb(s) had sufficient time to cool down. DO NOT subject the lamp to any shock while lit as shattering of lamp may result.
- Do not touch the bulb with bare hands use a cloth or glove.

## PREPARATION

- Before beginning installation of product, make sure all parts are present. Compare parts with package contents list and diagram above. If any part is missing or damaged, do not attempt to assemble, install or operate the product. Contact customer service for replacement part.
- Estimated Assembly Time: 35 - 45 minutes
- **Bulb Recommended:** (2) 60W Type-A medium base bulbs, Alternate (2) CFL bulb.
- **Tools Required:** Flathead screwdriver, Phillips screwdriver, pliers, wire cutters, wire strippers, electrical tape, safety glasses.



(2)60W A19  
Medium Base Bulbs  
(Not Supplied)

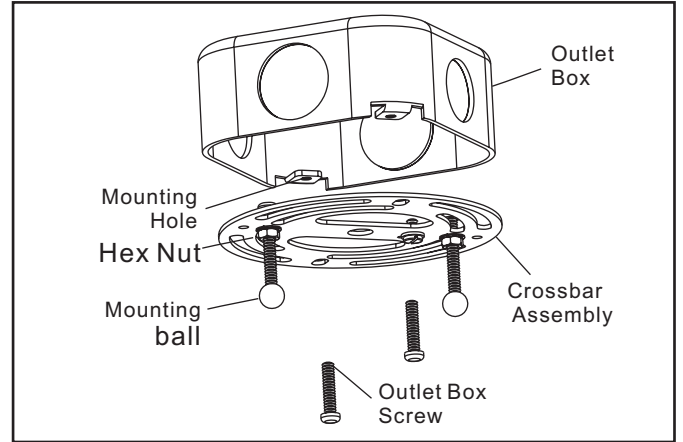
NOTE: ALL DIMENSIONS ARE ROUNDED UP TO THE NEAREST 1/2"

NO.	PART NUMBER	REPLACEMENT PART DESCRIPTION	REQ.
1	G2916SH	SHADE TIFFANY 14"SQ	1
2	M2262FI	FINIAL .5"SQ X 1"H	1

## INSTALLATION INSTRUCTIONS

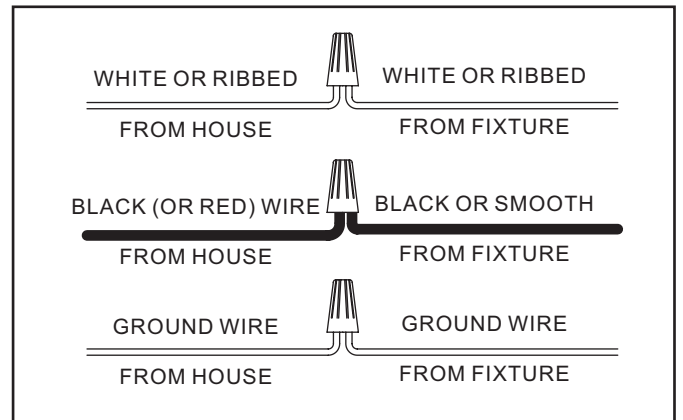
### STEP 1:

- Remove the Crossbar Assembly from the Ceiling Canopy on the Socket Assembly as shown in STEP 3.
- Secure the Crossbar Assembly to the Outlet Box with Outlet Box Screws.
- Temporarily attach the Ceiling Canopy to the mounting screws on the Crossbar, securing with the mounting balls. If the Ceiling Canopy is not snug against the wall, remove it from the crossbar and adjust the length of the mounting screws by unscrewing the hex nuts. Turn the screws in or out of the crossbar until the correct length is achieved, then re-attach the Ceiling Canopy. Once the Ceiling Canopy is secure, remove mounting balls and Ceiling Canopy as shown in STEP 3.



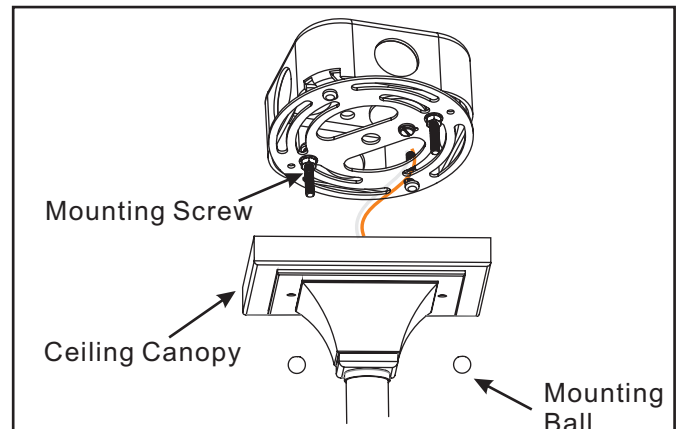
### STEP 2:

- ★ Use Wire Connectors (supplied) to connect the wires.
- Connect the House Ground Wire to the Fixture Ground Wire.
  - Connect the House White (or Ribbed) Wire to the Fixture Supply Wire (White or Ribbed Side).
  - Connect the House Black (or Red) Wire to the Fixture Supply Wire (Black or Smooth Side).
  - Wrap each connection with approved electrical tape and carefully stuff all of the connected wires into the Outlet Box.



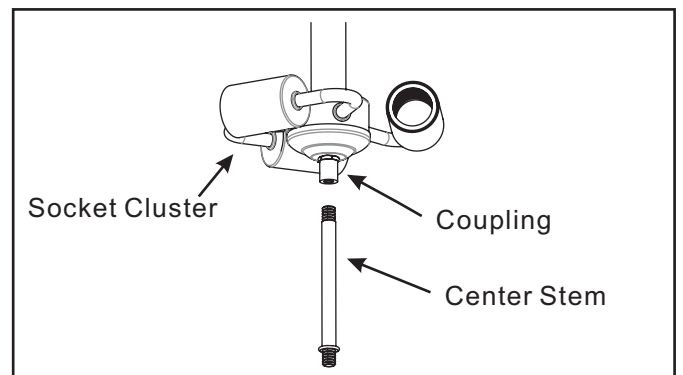
### STEP 3:

- Carefully tuck all wires into the outlet box and position the Ceiling Canopy of the Socket Assembly over the outlet box. Align the holes in the Ceiling Canopy of the Socket Assembly with the mounting screws attached to the Crossbar. Pass the fixture over the mounting screws and secure by threading mounting balls onto end of mounting screws. Tighten until snug.



### STEP 4

- Thread the no beaded end of Center Stem into the Coupling no beaded of the Socket Cluster. hand tighten until snug.

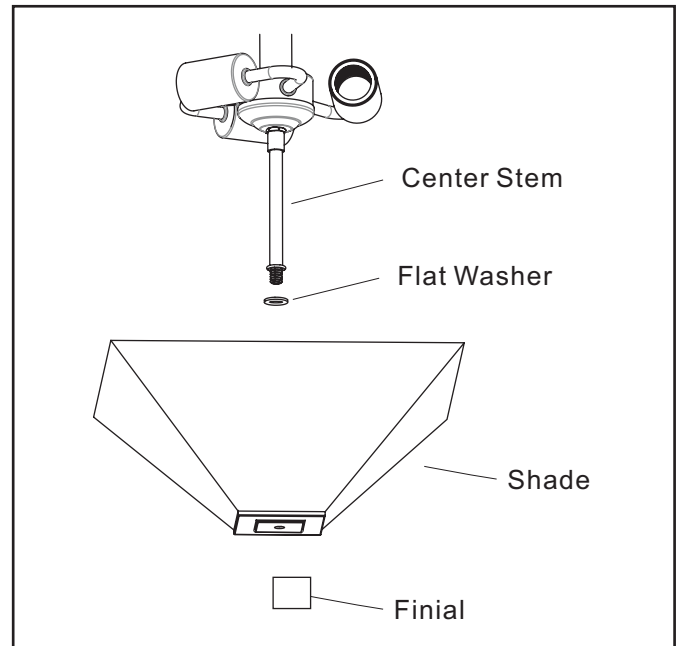


## INSTALLATION INSTRUCTIONS

---

### STEP 5

- a. Pass the Flat Washer and the Shade over the end of the Center Stem in turn. Secure by threading the Finial onto the Center Stem. Hand tighten until snug.



### STEP 6:

- a. Install correct bulbs referring to fixture markings and/or labels for maximum wattage.

Your installation is completed now. Restore electricity. Retain this sheet for future reference.