



WINTER HAVEN COLLECTION

7140

AIR BATH, SOAKER, TOTAL MASSAGE AND WHIRLPOOL TUBS

Dimensions: 71" L x 40" W x 23" H

Product Codes:

MIRWHA7140WH (white air massage), MIRWHA7140BS (biscuit air massage)
 MIRWHS7140WH (white soaker tub), MIRWHS7140BS (biscuit soaker tub)
 MIRWHT7140WH (white total massage), MIRWHT7140BS (biscuit total massage)
 MIRWHW7140WH (white whirlpool), MIRWHW7140BS (biscuit whirlpool)

- Intuitive electronic control pad
- 8 high-flow directional and volume-adjustable whirlpool jets
- 65 channel-fed airjets (air bath and total massage)
- Powerful whirlpool pump with variable flow device
- Heated blower for air bath system
- 85-gallon operating capacity
- 100-gallon capacity to overflow
- Safety suction
- Pre-leveled base
- Constructed of highest grade acrylic
- 100% factory performance tested with water
- Textured slip-resistant bottom
- Pre-wired for simple plug-in installation
- Requires a single 20-amp GFCI circuit
- Side drain position
- Drop-in or undermount applications
- Cutout template available
- 5 year limited warranty
- Meets or exceeds ANSI Z124.1-95, ASME A112, 19.7-M-1995, UL 1795
- UPC/IAPMO listed
- Optional in-line heater available – MIRPRESSHTR (for use with whirlpool and total massage) - Requires a separate 20-amp GFCI circuit
- Recommended accessories
 - MB138886 Cable drain ABS with trim - CP
 - MB138885 Cable drain ABS with trim - BN
 - MB138887 Cable drain ABS with trim - ORB
 - MB138883 Cable drain PVC with trim - CP
 - MB138882 Cable drain PVC with trim - BN
 - MB138884 Cable drain PVC with trim - ORB



See dimensional drawing on back

Mirabelle®

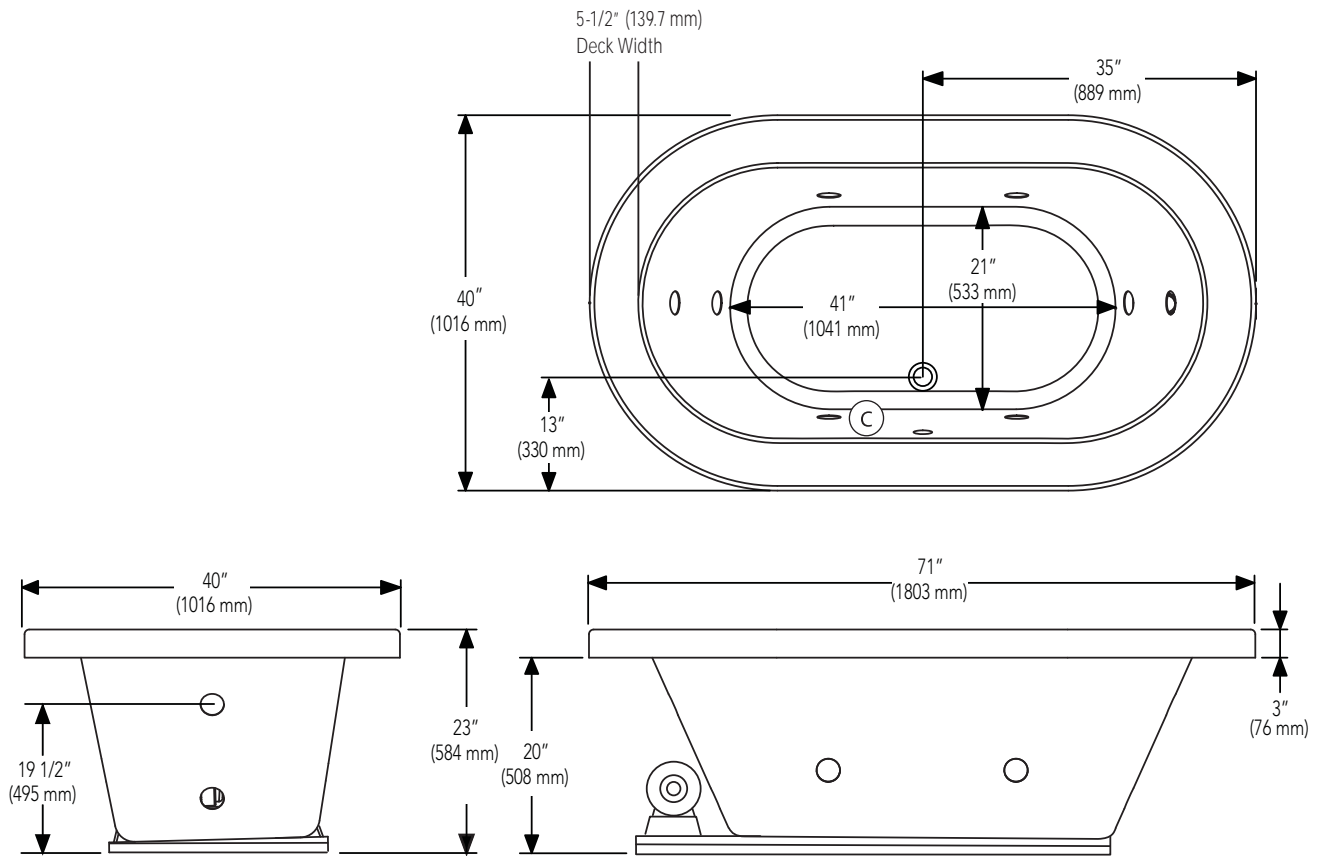
WINTER HAVEN COLLECTION

7140

AIR BATH, SOAKER, TOTAL MASSAGE AND WHIRLPOOL TUBS

Product Codes:

MIRWHA7140WH (white air massage), MIRWHA7140BS (biscuit air massage)
MIRWHS7140WH (white soaker tub), MIRWHS7140BS (biscuit soaker tub)
MIRWHT7140WH (white total massage), MIRWHT7140BS (biscuit total massage)
MIRWHW7140WH (white whirlpool), MIRWHW7140BS (biscuit whirlpool)



Ⓒ Designates control location

Note: All dimensions and specifications are nominal and may vary +/- 1/4". Use actual products for accuracy in critical situations.

Please contact your Mirabelle customer service representative at (800) 221-3379 for any updated specifications.