



BRADENTON COLLECTION

6032 SKIRTED

AIR BATH, SOAKER, TOTAL MASSAGE AND WHIRLPOOL TUBS

Dimensions: 60"L x 32"W x 21-1/2"H

Product Codes:

MIRBDA6032LWH (LH white air massage), MIRBDA6032LBS (LH biscuit air massage)
 MIRBDA6032RWH (RH white air massage), MIRBDA6032RBS (RH biscuit air massage)
 MIRBDS6032LWH (LH white soaker tub), MIRBDS6032LBS (LH biscuit soaker tub)
 MIRBDS6032RWH (RH white soaker tub), MIRBDS6032RBS (RH biscuit soaker tub)
 MIRBDT6032LWH (LH white total massage), MIRBDT6032LBS (LH biscuit total massage)
 MIRBDT6032RWH (RH white total massage), MIRBDT6032RBS (RH biscuit total massage)
 MIRBDW6032LWH (LH white whirlpool), MIRBDW6032LBS (LH biscuit whirlpool)
 MIRBDW6032RWH (RH white whirlpool), MIRBDW6032RBS (RH biscuit whirlpool)

- One single-speed air switch actuator for whirlpool
- One three-speed air switch actuator for air bath
- Two air switch actuators for total massage
- 8 high-flow directional and volume-adjustable whirlpool jets
- 65 channel-fed air jets (air bath and total massage)
- Powerful 1.75 hp, 10.9 amp whirlpool pump
- 7.5 amp, 600 watt heated blower for air bath system
- 43-gallon operating capacity
- 48-gallon capacity to overflow
- Integral tile flange and skirt with removable access panel (exception: solid skirt on soaker)
- Available in left and right configuration
- Integral arm rests
- Safety suction
- Pre-leveled base
- Constructed of highest grade acrylic
- 100% factory performance tested with water
- Textured slip-resistant bottom
- Pre-wired for simple plug-in installation
- Requires a single 20-amp GFCI circuit
- End drain position
- 5 year limited warranty
- Meets or exceeds ANSI Z124.1-95, ASME A112, 19.7-M-1995, UL 1795
- UPC/IAPMO listed
- Optional in-line heater available – MIRPRESSHTR (for use with whirlpool and total massage) - Requires a separate 20-amp GFCI circuit
- Recommended accessories
 - MB138853 Cable drain ABS with trim - CP
 - MB138852 Cable drain ABS with trim - BN
 - MB138854 Cable drain ABS with trim - ORB
 - MB138843 Cable drain PVC with trim - CP
 - MB138842 Cable drain PVC with trim - BN
 - MB138844 Cable drain PVC with trim - ORB



See dimensional drawing on back

©2014 Ferguson Enterprises, Inc. All Rights Reserved 21823 Rev. 0814



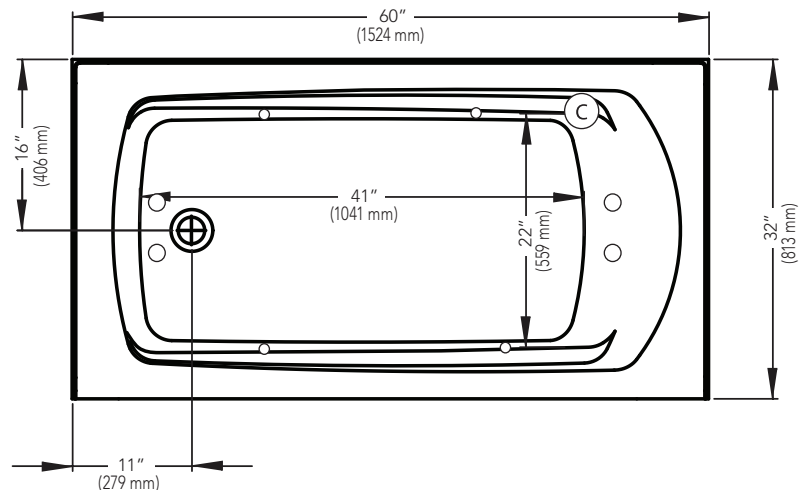
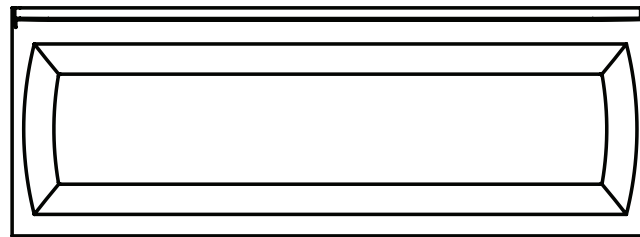
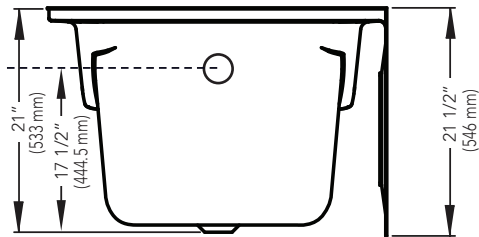
BRADENTON COLLECTION

6032 SKIRTED

AIR BATH, SOAKER, TOTAL MASSAGE AND WHIRLPOOL TUBS

Product Codes:

MIRBDA6032LWH (LH white air massage), MIRBDA6032LBS (LH biscuit air massage)
MIRBDA6032RWH (RH white air massage), MIRBDA6032RBS (RH biscuit air massage)
MIRBDS6032LWH (LH white soaker tub), MIRBDS6032LBS (LH biscuit soaker tub)
MIRBDS6032RWH (RH white soaker tub), MIRBDS6032RBS (RH biscuit soaker tub)
MIRBDT6032LWH (LH white total massage), MIRBDT6032LBS (LH biscuit total massage)
MIRBDT6032RWH (RH white total massage), MIRBDT6032RBS (RH biscuit total massage)
MIRBDW6032LWH (LH white whirlpool), MIRBDW6032LBS (LH biscuit whirlpool)
MIRBDW6032RWH (RH white whirlpool), MIRBDW6032RBS (RH biscuit whirlpool)



(C) Designates control location

Note: All dimensions and specifications are nominal and may vary +/- 1/4". Use actual products for accuracy in critical situations.