

Mirabelle®

AMBERLEY COLLECTION

AIR BATH, SOAKER, TOTAL MASSAGE  
AND WHIRLPOOL TUBS

Dimensions: 59-3/4"L x 36"W x 21-1/4"H

Product Codes:

MIRAMA6036WH (white air massage), MIRAMA6036BS (biscuit air massage)  
 MIRAMS6036WH (white soaker tub), MIRAMS6036BS (biscuit soaker tub)  
 MIRAMT6036WH (white total massage), MIRAMT6036BS (biscuit total massage)  
 MIRAMW6036WH (white whirlpool), MIRAMW6036BS (biscuit whirlpool)

- Intuitive electronic controls
- 8 high-flow directional and volume-adjustable whirlpool jets
- 65 channel-fed airjets (air bath and total massage)
- Powerful whirlpool pump with variable flow device
- Heated blower for air bath system
- 56 Gallon operating capacity
- 64 Gallon capacity to overflow
- Safety suction
- Pre-leveled base
- Constructed of highest grade acrylic
- 100% factory performance tested with water
- Textured slip-resistant bottom
- Pre-wired for simple plug-in installation
- Requires a single 20-amp GFCI circuit
- End drain position
- Drop-in applications
- 5 year limited warranty
- Meets or exceeds ANSI Z124.1-95
- ASME A112, 19.7-M-1995, UL 1795
- UPC/IAPMO listed
- Optional in-line heater available – MIRPRESSHTR (for use with whirlpool and total massage) – Requires a separate 20-amp GFCI circuit
- Tile flange kit available – PFTLK
- Recommended accessories
  - MB138886 Cable drain ABS with trim – CP
  - MB138885 Cable drain ABS with trim – BN
  - MB138887 Cable drain ABS with trim – ORB
  - MB138883 Cable drain PVC with trim – CP
  - MB138882 Cable drain PVC with trim – BN



# Mirabelle®

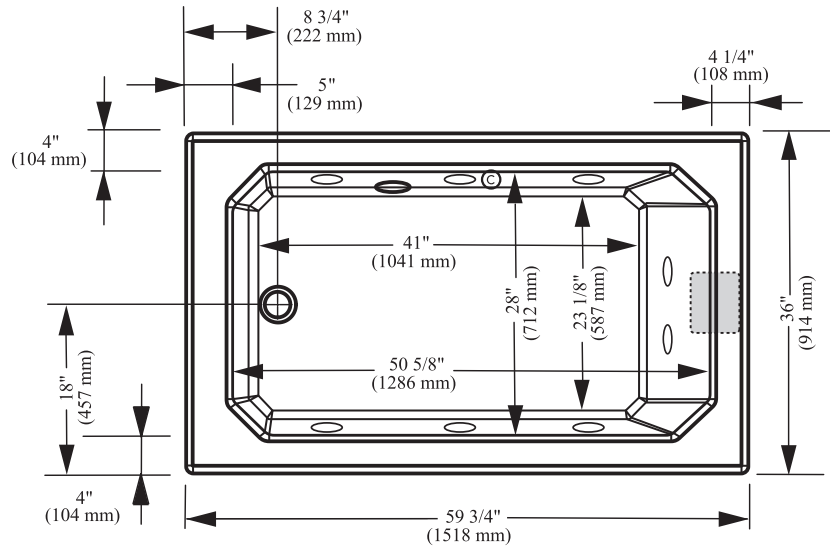
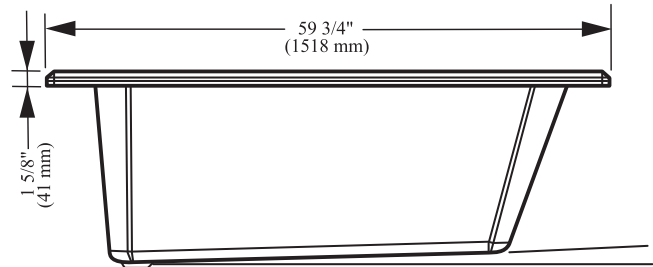
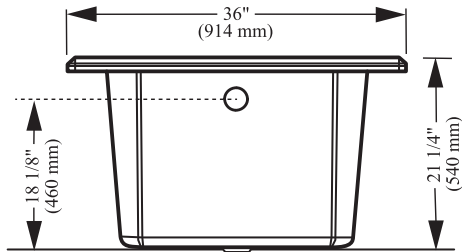
## AMBERLEY COLLECTION

### AIR BATH, SOAKER, TOTAL MASSAGE AND WHIRLPOOL TUBS

Dimensions: 59-3/4" L x 36" W x 21-1/4" H

Product Codes:

MIRAMA6036WH (white air massage), MIRAMA6036BS (biscuit air massage)  
 MIRAMS6036WH (white soaker tub), MIRAMS6036BS (biscuit soaker tub)  
 MIRAMT6036WH (white total massage), MIRAMT6036BS (biscuit total massage)  
 MIRAMW6036WH (white whirlpool), MIRAMW6036BS (biscuit whirlpool)



 Suction Location

 Control Location

 Pump Location

Amberley