

Mirabelle®

EDENTON COLLECTION

TWO-HANDLE WIDESPREAD LAVATORY FAUCET

Product Codes:

MIRWSED800HBN (brushed nickel)

MIRWSED800HCP (polished chrome)

- Solid brass construction
- 1.5 GPM water saving aerator
- 6" to 12" installation spread
- Quarter-turn ceramic disc cartridge
- Brass pop-up drain assembly
- 1/2" IPS connections
- Installation, operating, care and maintenance instructions included
- Lifetime limited warranty
- Meets ANSI: A112.18.1M
- NSF/ANSI Std. 61 compliant
- cUPC/IAPMO listed
- ADA compliant
- Compliant with lead content requirements of California AB 1953 & Vermont S.152



See dimensional drawing on back

©2012 Ferguson Enterprises, Inc. All Rights Reserved 12175 Rev. 07/12



Mirabelle®

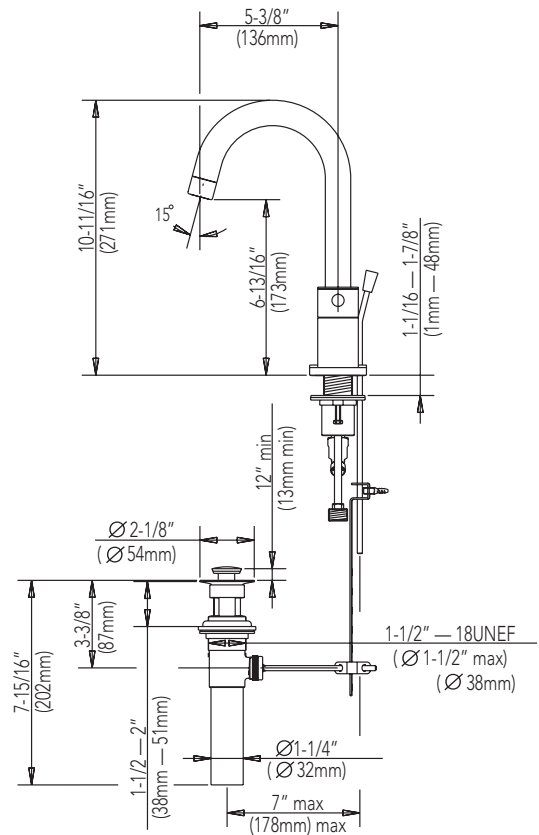
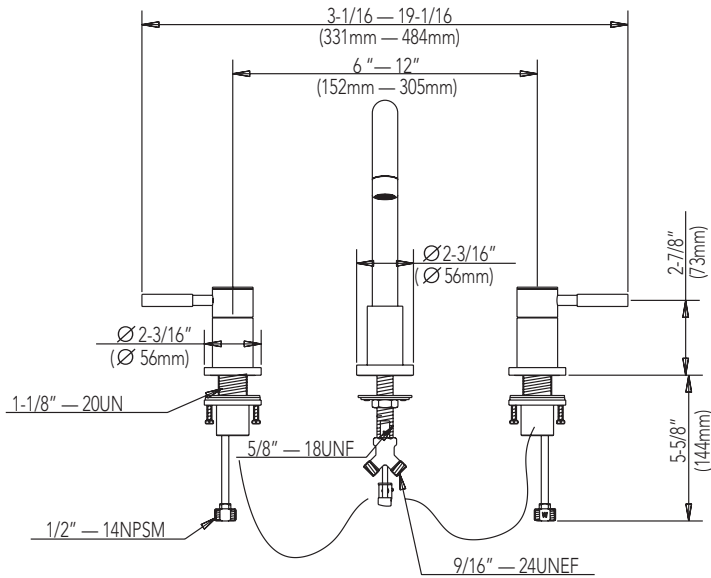
EDENTON COLLECTION

TWO-HANDLE WIDESPREAD LAVATORY FAUCET

Product Codes:

MIRWSED800HBN (brushed nickel)

MIRWSED800HCP (polished chrome)



All dimensions are based on original specifications and are subject to change and variation.

