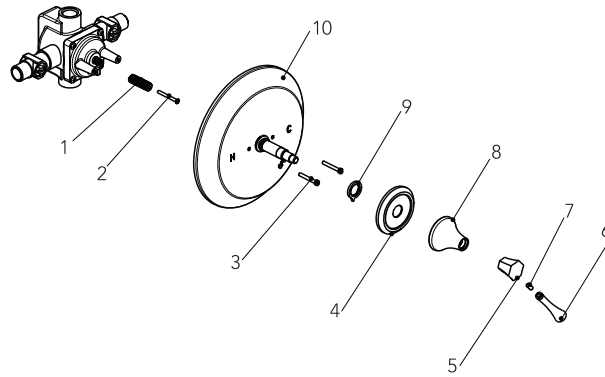




MIRBH34700
PRESSURE BALANCED TRIM LESS DIVERTER



code código code	EN description	ES descripción	FR description	parte no. pieza nro. code de pièce
1	stem extension	extensión de vástago	rallonge de tige	3400290
2	stem extension screw	tornillo para extensión de vástago	vis de la rallonge de tige	5020255
3	screw (x2)	tornillo (x2)	vis (x2)	5020126
4	escutcheon	placa	plaque de recouvrement	3470149-xxx
5	post	soporte	support	3400471-xxx
6	lever handle	llave de palanca	poignée à levier	3410213-xxx
7	set screw	tornillo de fijación	vis de pression à pans creux	5020021
8	bonnet	sombrerete	capuchon	3441852-xxx
9	temperature limit ring	anillo de limitación de temperatura	anneau limiteur de température	3470117
10	face plate assembly	conjunto de placa frontal	assemblage du plateau	3490108-xxx

document code: 5663942 / 983HM001E00

Warranty and Codes

All Mirabelle faucets have a lifetime limited warranty and meet the following standards:

ANSI: A112.18.1M; NSF/ANSI Std. 61 compliant; cUPC/IAPMO listed. Installation, operating, care and maintenance instructions are included.