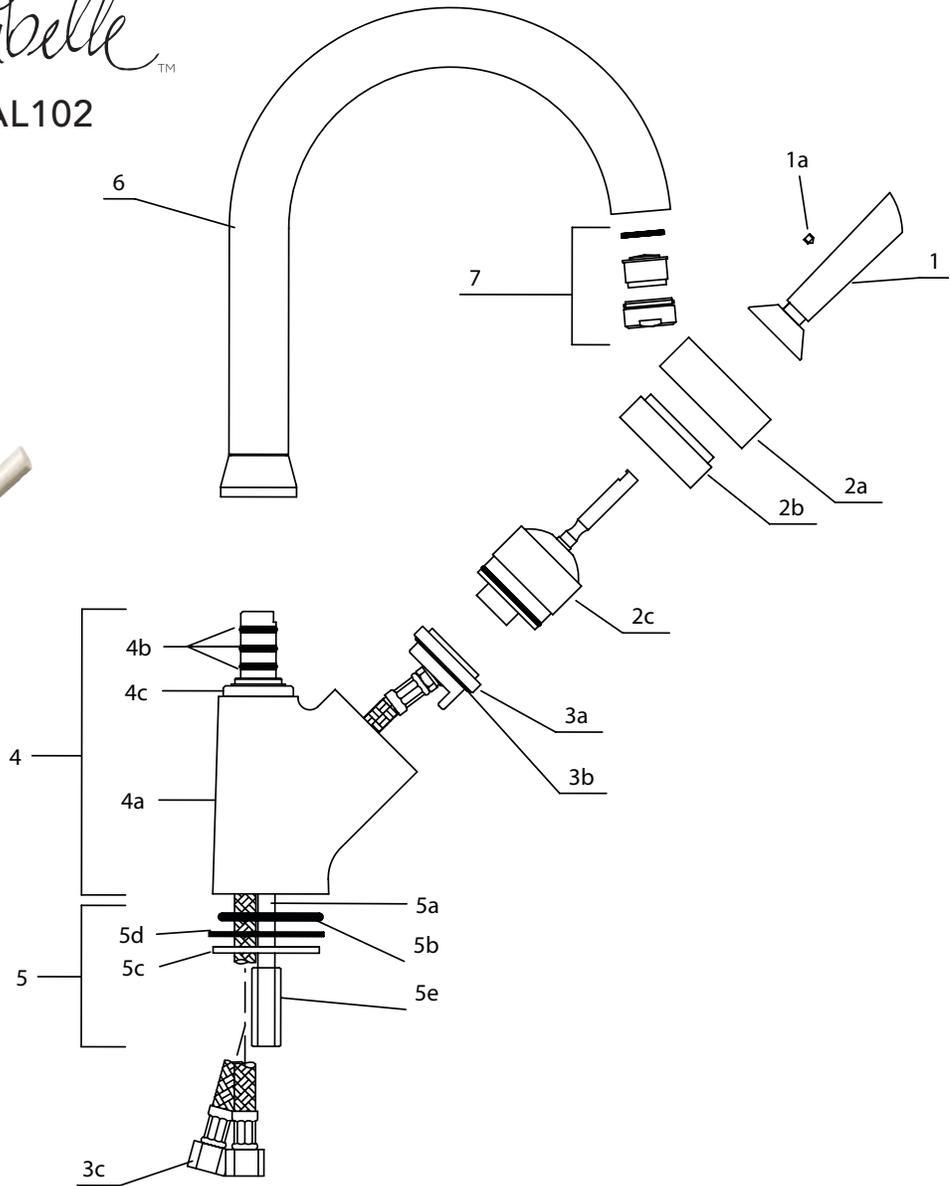


Mirabelle™

MIRXAL102



PART LIST

Lever	1
Screw	1A
Cap	2A
Nut	2B
Cartridge	2C
Insert	3A
O' Ring	3B
Supply Tube	3C
Body Assy	4
Body	4A
O' Ring	4B
Plastic Ring	4C
Mounting Nut Assy	5
Screw	5A
O' Ring	5B
Metal Washer	5C
Rubber Washer	5D
Nut	5E
Spout Assy	6
Aerator Set	7

LISTE DES PIÈCES

Ensemble de levier	1
Vis	1A
Capuchon	2A
Ecrou	2B
Cartouche	2C
Insertion	3A
Joint torique	3B
Tuyau d'alimentation	3C
Ensemble de corps	4
Corps	4A
Joint torique	4B
Anneau en plastique	4C
Ensemble d'écrous de fixation	5
Vis	5A
Joint torique	5B
Rondelle de métallique	5C
Rondelle de caoutchouc	5D
Ecrou	5E
Ensemble de bec	6
Ensemble d'aérateur	7

LISTA DE PIEZAS

Conjunto de la palanca	1
Tornillo	1A
Tapa	2A
Tuerca	2B
Cartucho	2C
Engaste	3A
Junta torica	3B
Tubo de suministro	3C
Conjunto del cuerpo	4
Cuerpo	4A
Junta torica	4B
Anillo de plastico	4C
Conjunto de la tuerca de montaje	5
Tornillo	5A
Junta torica	5B
Arandela metalica	5C
Arandela de goma	5D
Tuerca	5E
Conjunto del tubo de salida	6
Sistema aireador	7

Warranty and Codes

All Mirabelle faucets have a lifetime limited warranty and meet the following standards:

ANSI: A112.18.1M; NSF/ANSI Std. 61 compliant; cUPC/IAPMO listed. Installation, operating, care and maintenance instructions are included.