



---

## AIR BATH, SOAKER, TOTAL MASSAGE AND WHIRLPOOL TUBS

Dimensions: 66"L X 36"W X 22-1/2"H

**Product Codes:**

MIRA6636WH (white air massage), MIRA6636BS (biscuit air massage)  
MIRS6636WH (white soaker tub), MIRS6636BS (biscuit soaker tub)  
MIRT6636WH (white total massage), MIRT6636BS (biscuit total massage)  
MIRW6636WH (white whirlpool), MIRW6636BS (biscuit whirlpool)

- Electronic one-touch total-control pad
- 8 high-flow directional and volume-adjustable whirlpool jets
- 65 channel-fed airjets (air bath and total massage)
- Powerful 1.5 horsepower, variable-flow device
- 94-gallon operating capacity
- 105-gallon capacity to overflow
- Constructed of highest grade acrylic
- Performance tested with water
- Textured slip-resistant bottoms
- Pre-wired for simple plug-in installation
- Requires a single (for air bath and whirlpool) and two (for total massage) 20-amp/115 volt GFCI circuit
- End drain position
- 5 year limited warranty
- Meets or exceeds ANSIZ124.1-95, ASME A112, 19.7-M-1995, UL 1795
- Optional in-line heater available
- Drop-in or undermount applications



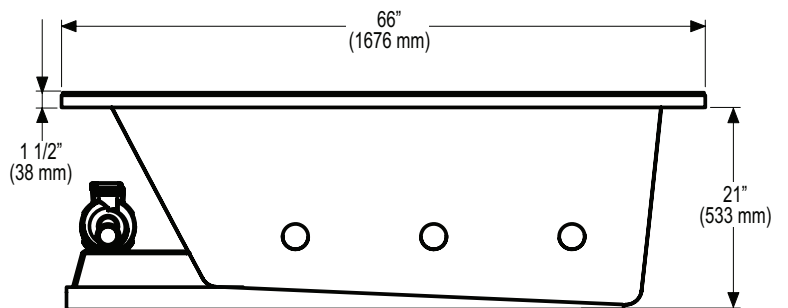
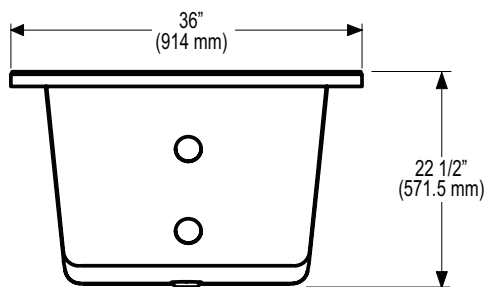
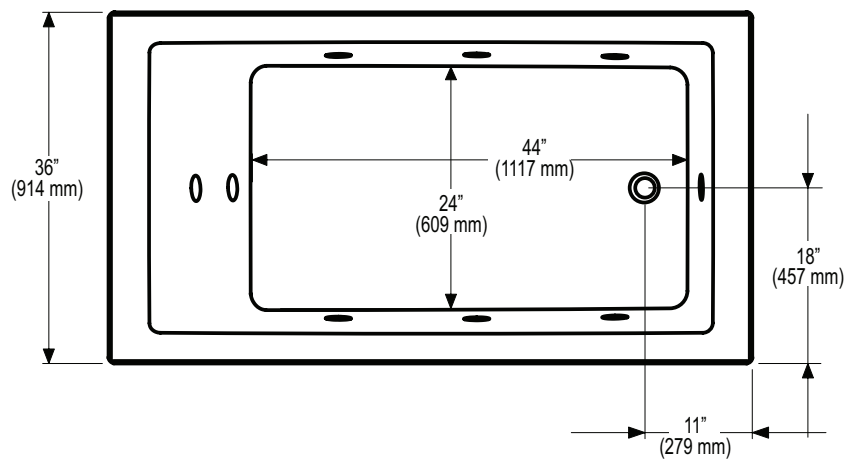
# Mirabelle™

6636

## AIR BATH, SOAKER, TOTAL MASSAGE AND WHIRLPOOL TUBS

### Product Codes:

MIRA6636WH (white air massage), MIRA6636BS (biscuit air massage)  
MIRS6636WH (white soaker tub), MIRS6636BS (biscuit soaker tub)  
MIRT6636WH (white total massage), MIRT6636BS (biscuit total massage)  
MIRW6636WH (white whirlpool), MIRW6636BS (biscuit whirlpool)



Note: All dimensions and specifications are nominal and may vary +/- 1/4". Use actual products for accuracy in critical situations.