



# GILERA

minkaAire®  
A Minka Group® Co.

*INSTRUCTION MANUAL WARRANTY CERTIFICATE*

**This product is protected by United States Federal and/or State Law, including Patent, Trademark and/or Copyright laws.**

**Manual design and all elements of manual design are protected by U.S. Federal and/or State Law, including Patent, Trademark and/or Copyright Laws.**



Minka-Aire® warranty is for one (1) year from the date of purchase from an authorized Minka-Aire® dealer. This warranty is only valid to the original purchaser or user against all defects in material and workmanship (light bulbs excluded) for one (1) full year. Additionally, Minka-Aire® warrants the motor only for the lifetime of the Minka Aire ceiling fan (excluding wall controls and electrical components), to the original purchaser or user.

- \* The warranty is voided with the use of any non- Minka-Aire® electrical devices, E.g., wall controls or electrical dimmer switches, etc...
- \* The warranty is void once the original purchaser or user ceases to own the fan or the fan is moved from its original point of installation.
- \* The warranty is void with the use of any hanger bracket (non-Minka Aire or non-fan specific) other than the hanger bracket supplied & installed with this specific fan.

## Warranty Service Information

To obtain warranty service during the warranty period, the purchaser should return the fan with the sales receipt to the original place of purchase. The authorized Minka-Aire® dealer, at its sole discretion, will either repair or replace the fan after verifying the legitimacy of the warranty claim. Replacement is subject to availability of the same model. If the model is unavailable it will be replaced by one of equal value. This is a limited warranty; the original purchaser or user is responsible for the cost of removal and reinstallation of repaired or replacement product.

To obtain the name of the Minka-Aire® authorized dealer nearest you call the Minka-Aire® customer care department at 1-800-307-3267, or contact Minka-Aire® through [www.minkagroup.net](http://www.minkagroup.net) and write to: "Ask Mr. Minka" to answer any questions or if you require assistance.

Date Purchased \_\_\_\_\_ Store Purchased \_\_\_\_\_ Model Number F733 Serial Number \_\_\_\_\_

# ***CONTENTS***

|                                      |   |   |    |
|--------------------------------------|---|---|----|
| SAFETY FIRST.....                    | 1 | ATTACHING THE FAN BLADES .....                | 8  |
| PACKAGE CONTENTS.....                | 2 | OPERATING THE REMOTE CONTROL/WALL CONTROL.... | 9  |
| BEGIN INSTALLATION.....              | 3 | MAINTENANCE .....                             | 10 |
| HANGING THE FAN .....                | 4 | TROUBLESHOOTING .....                         | 11 |
| ELECTRICAL CONNECTIONS.....          | 5 | SPECIFICATIONS.....                           | 12 |
| INSTALLING THE WALL TRANSMITTER..... | 6 |   |    |
| FINISHING THE INSTALLATION.....      | 7 |   |    |



1151W. Bradford Court, Corona CA 92882 For Customer Assistance Call: 1-800-307-3267



# 1

## ***SAFETY FIRST***

1. Before you begin installing the fan, shut power off at the circuit breaker of the fuse box.
2. Be cautious! Read all instructions and safety information before installing your new fan. Review accompanying assembly diagrams.
3. Make sure that all electrical connections comply with local codes, ordinances, or National Electrical Codes. Hire a qualified electrician or consult a do-it-yourself wiring handbook if you are unfamiliar with installing electrical wiring.
4. Make sure the installation site you choose allows the fan blades to rotate without any obstructions. Allow a minimum clearance of 7 feet from the floor and 18 inches from the tip of the blades to the wall.
5. **NOTE: THIS CEILING FAN EXCEEDS THE MAXIMUM WEIGHT SPECIFIED BY UL FOR HANGING FROM A STANDARD OUTLET BOX. SPECIAL REINFORCEMENT OF THE CEILING IS REQUIRED FOR INSTALLATION.**
6. **CAUTION:** Use the wood screws provided for fan installation. The wood screws must go through the outlet box via the knock outs and secured directly to the building joist.
7. After you install the fan, make sure that all mounting components are secured to prevent the fan from falling.
8. Do not insert anything into the fan blades while the fan is operating.
9. Turn the fan off and wait for the blades to stop completely before cleaning or performing any maintenance.

**NOTE:**The important safeguards and instructions appearing in this manual are not meant to cover all possible conditions and situations that may occur. It must be understood that common sense, caution and care are factors which can not be built into this product. These factors must be supplied by the person (s) installing, caring for and operating the unit.

**NOTE: READ AND SAVE ALL INSTRUCTIONS!**

**WARNING**

**SUPPORT DIRECTLY FROM BUILDING STRUCTURE.**

**TO REDUCE THE RISK OF FIRE, ELECTRIC SHOCK OR OTHER PERSONAL INJURY, MOUNT FAN DIRECTLY TO THE BUILDING JOIST USING THE WOOD SCREWS AND WASHERS PROVIDED WITH THE FAN. THE WOOD SCREWS MUST GO THROUGH THE OUTLET BOX VIA THE KNOCK OUTS. CONSULT A QUALIFIED ELECTRICIAN IF IN DOUBT.**

**TO REDUCE THE RISK OF PERSONAL INJURY, DO NOT BEND THE BLADE HOLDERS WHILE INSTALLING, BALANCING THE BLADES, OR CLEANING THE FAN. DO NOT INSERT FOREIGN OBJECTS BETWEEN ROTATING FAN BLADES.**

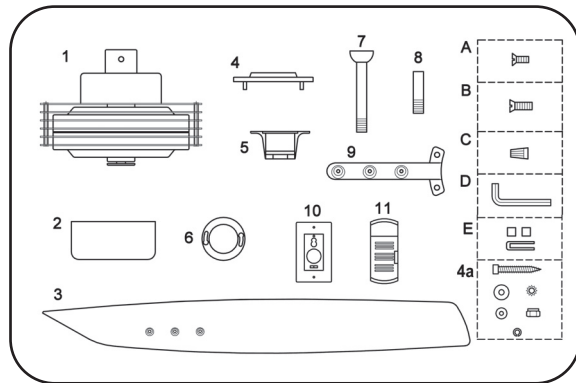
**TO REDUCE THE RISK OF FIRE OR ELECTRIC SHOCK, DO NOT USE THIS FAN WITH ANY SOLID-STATE SPEED CONTROL DEVICE.**

**TO REDUCE THE RISK OF FIRE OR ELECTRONIC SHOCK, THIS FAN ONLY CAN USE CFR-3T SOLID-STATE SPEED CONTROL WITH TR111A WALL CONTROL ONLY.**

## 2

**PACKAGE CONTENTS**

1. Fan motor/housing ass'y
2. Canopy
3. Fan blade
4. Hanger bracket plate
- 4a. Mounting hardware:
  - M6.5x89mm wood screw (3 pcs)
  - M6.5(Ø6.4x11.3x0.4-1.7mm-12 toothes) washer (3 pcs)
  - Ø6.5x19x1mm flat washer (3 pcs)
  - M5 nylon nut (3 pcs)
  - Ø5x14x1mm flat washer (3 pcs)
  - 3/16" (Ø5.2x8.4x1.00mm) spring washer (3 pcs)
5. Hanger bracket
6. Canopy cover
7. Standard 6" downrod assembly
8. Minimum 3-1/2" length downrod (for close to ceiling mounting only)
9. Blade holder
10. Wall control transmitter include below pcnts
  - 1) big wall plate (2 pcs)
  - 2) small wall plate (2 pcs)
  - 3) screw (6 pcs)
11. Receiver with wire nuts(10pcs)
  - A. Blade Attachment Hardware: 3/16"x10mm screws(10pcs)
  - B. Bracket Attachment Hardware: 1/4"-20x13mm screws(7 pcs)
  - C. Wire Nut (3 pcs.)
  - D. L hex wrench
  - E. Balance kit





Tools Required: Phillips screw driver; slotted screw driver; pliers; wire cutters; electrical tape.

## BEGIN INSTALLATION

### MOUNTING OPTIONS

If there isn't an existing mounting box, then read the following instructions. Shut the power off at the circuit breaker or fuse box.

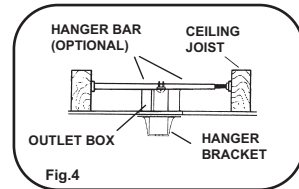
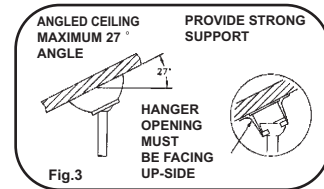
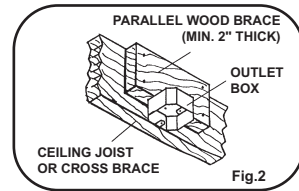
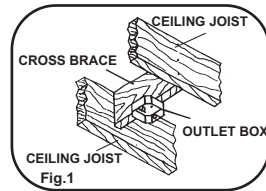
**NOTE: THIS CEILING FAN EXCEEDS THE MAXIMUM WEIGHT SPECIFIED BY UL FOR HANGING FROM A STANDARD OUTLET BOX. SPECIAL REINFORCEMENT OF THE CEILING IS REQUIRED FOR INSTALLATION.**

Secure the ceiling fan's hanging bracket directly from the building structure via the outlet box.

Figures 1, 2 and 3 are examples of different ways to mount the outlet box.

Note: You may need a longer downrod to maintain proper blade clearance when installing on a steep, sloped ceiling. Longer downrods are available from your Minka-Aire® dealer.

To hang your fan where there is an existing fixture but no ceiling joist, you may need to install a hanger bar as shown in Fig. 4 (available at your Minka-Aire® dealer).



# 4

## ***HANGING THE FAN***

**WARNING:** All of the parts, hardware and components such as the hanger bracket and hanger ball have been provided for your safety and the proper installation of your new ceiling fan. The use of other parts, hardware or components not supplied by Minka Aire® with the fan will void the Minka Aire® Warranty.

**REMEMBER** to turn off the power. Follow the steps below to hang your fan properly;

Step 1. Remove two knock-outs from the outlet box to expose the joist. (Fig. 5)

Step 2. Use the two wood screws and washers to secure the hanger bracket plate directly to the building joist via the knock-out holes from the outlet box. (Fig. 6)

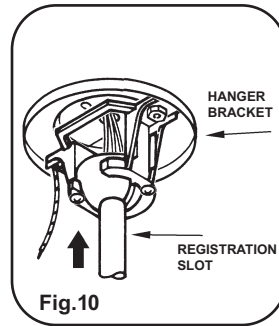
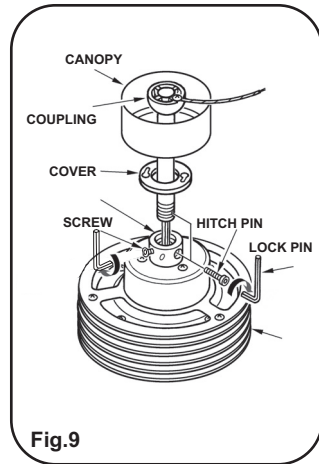
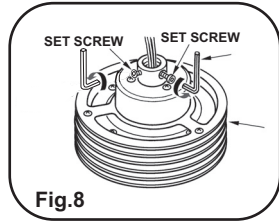
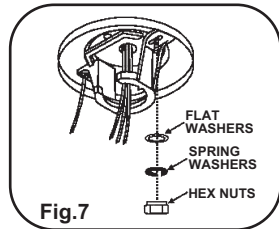
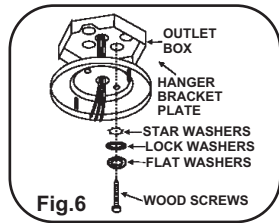
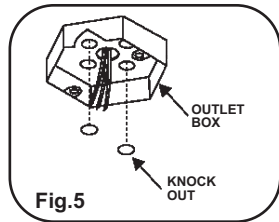
**CAUTION!** THE HANGER BRACKET PLATE MUST BE INSTALLED DIRECTLY TO THE BUILDING JOIST USING THE TWO WOOD SCREWS AND WASHERS PROVIDED.

Step 3. Secure hanger bracket to hanger bracket plate using the two hex nuts and washers provided, make sure nuts are securely tighten. (Fig. 7)

Step 4. Loosen the two Set Screws from the coupling. (Fig. 8)

Step 5. Carefully feed fan wires canopy, canopy cap up through the downrod. Insert the rod into the coupling and tighten onto fan until the holes are aligned. Next replace lock pin and hitch pin. Tighten the screws (Fig.9)

Step 6. Now lift motor assembly into position and place downrod ball into hanger bracket. Rotate until the check groove has dropped into the registration slot and seats firmly. Rod should not rotate if this is done correctly (Fig. 10)



## ***ELECTRICAL CONNECTIONS***

**WARNING:** To avoid possible electrical shock be sure electricity is turned off at the main fuse or breaker box before wiring.

**NOTE:** The Aire Control® System is equipped with a learning frequency function which has 256 code combinations to prevent potential interference from other remote units. The frequency on your Receiver and Transmitter units have been preset at the factory. (Fig. 11) No frequency change is necessary, should you desire to install another fan within the same home or area with a separate frequency code please see the "frequency interference" troubleshooting section of this instruction manual to learn how to change the frequency.

**Step 1.** Insert Receiver into Hanger Bracket with the flat side of the Receiver facing the ceiling. (Fig. 12)

**Step 2. Motor to Receiver Electrical Connections:** Connect the WHITE wire from the fan to the WHITE wire marked "TO MOTOR N" from the Receiver. Connect the BLACK wire from the fan to the BLACK wire marked "TO MOTOR L" from the Receiver. Connect the BLUE wire from the fan to the BLUE wire marked "For Light" from the Receiver.

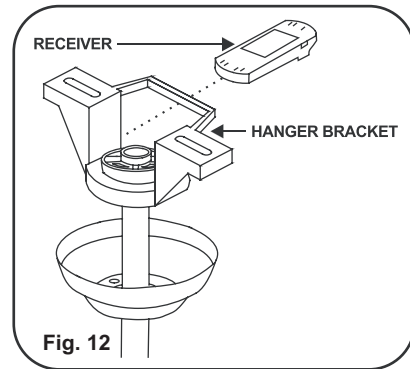
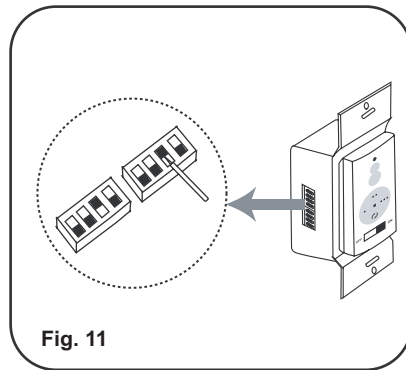
**NOTE:** If your ceiling fan features an UP Light: Connect the ORANGE wire from the fan to the ORANGE wire marked "For Up Light" from the Receiver. Otherwise disregard this step and proceed to secure all wire connections with the plastic wire nuts provided. (Fig. 13 & 14)

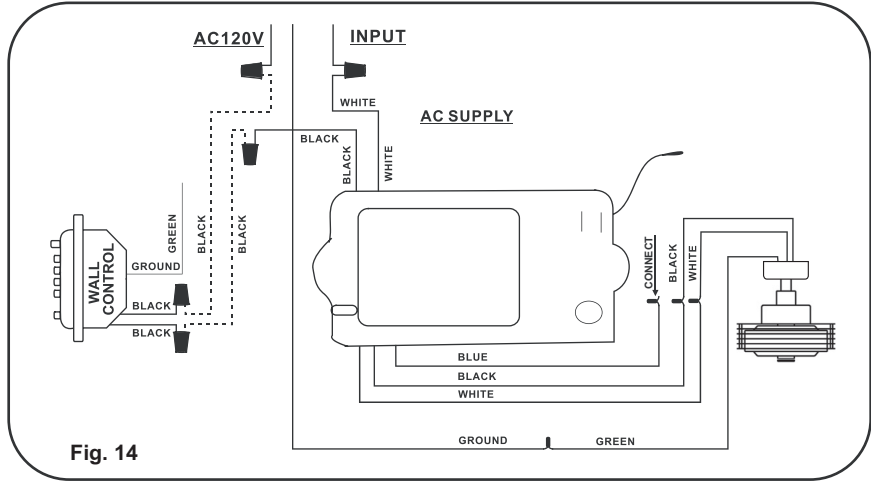
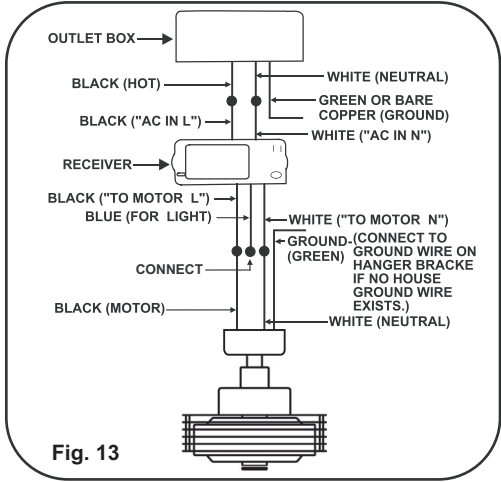
**Note:** Fan must be installed at a maximum distance of 40 feet from the transmitting unit for proper signal transmission between the transmitting unit and the fan's receiving unit.

Step 3. Receiver to House Supply Wires Electrical Connections: Connect the **WHITE** wire (Neutral) from the outlet box to the **WHITE** wire marked "AC in N" from the receiver. Connect the **BLACK** wire (Hot) from the outlet box to the **BLACK** wire marked "AC in L" from the receiver. Secure all wire connections with the plastic wire nuts provided. (Fig. 11 & 12)

Step 4. If your outlet box has a **GROUND** wire (Green or Bare Copper) connect this wire to the Hanger Ball and Hanger Bracket Ground wires. If your outlet box does not have a Ground Wire, then connect the Hanger Ball and Hanger Bracket Ground Wires together. Secure wire connection with the plastic wire nut provided. (Fig. 13 & 14)

After all splices are made, check to make sure there are no loose strands. As an additional precaution we suggest to secure the plastic wire connectors to the wires with electrical tape.





## INSTALLING THE WALL TRANSMITTER

**WARNING! HOOK UP "IN SERIES" ONLY. DO NOT CONNECT NEUTRAL SUPPLY WIRE OF ELECTRIC CIRCUIT TO THE TRANSMITTER WALL SWITCH, DAMAGE TO THE TRANSMITTER WALL SWITCH AND POSSIBLE FIRE COULD OCCUR.**

**Step 1.** Remove the existing wall plate and switch from the wall outlet box.

**Step 2.** Make the electrical connections as shown in Fig.15. If your outlet box has a ground wire (Green or Bare Copper) connect the Transmitter's ground wire directly to one of the screws from the outlet box. Secure all wire connections with the plastic wire nuts provided.

**Step 3.** Carefully tuck the wire connections inside the outlet box. Use the screws provided to secure the wall transmitter and wall plate to the outlet box. (Fig. 15)

**NOTE:** Your Aire Control™ System includes two sets of face and decorative plate color options. The wall control comes with standard white faceplate attached. If you desire to replace it with the Ivory color faceplate included, use a small flat screw driver and gently pry it apart from the top or bottom of the plate.

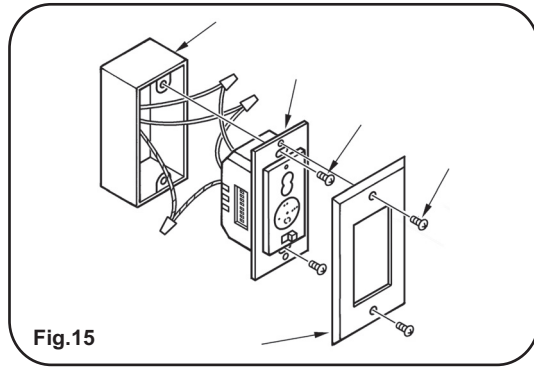


Fig.15

# 7

## FINISHING THE INSTALLATION

Step 1. Remove 1 of the 2 screws from the bottom of the hanger bracket and loosen the other one half a turn from the screw head.

Step 2. Slide the canopy up towards the hanger bracket and place the key hole on the canopy over the screw on the hanger bracket, turn canopy until it locks in place at the narrow section of the key holes. (Fig. 16)

Step 3. Align the circular hole on canopy with the remaining hole on the hanger bracket, secure by tightening the two set screws.

Step 4. Twist the canopy cover to tighten the canopy cover with canopy.

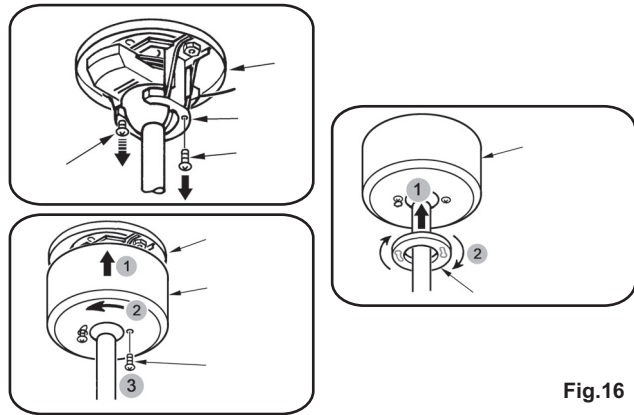


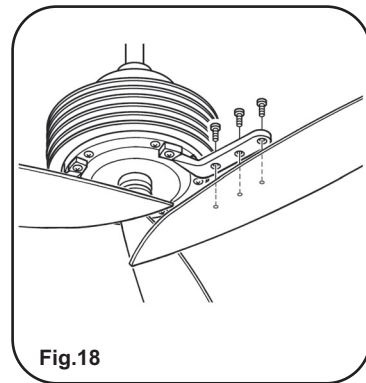
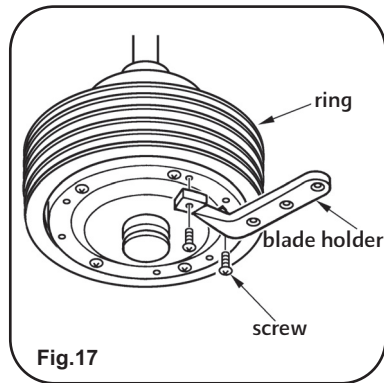
Fig.16



## ATTACHING THE FAN BLADES

Step 1. Attach the blade holder onto the motor using the screws provided. Tighten screws securely. Repeat for remaining blade holders.(Fig. 17).

Step 2. Attach the fan blade to the blade holders.(Fig. 18)



## OPERATING THE REMOTE CONTROL/WALL CONTROL

Remote Control fans only: Install the A23, 12v battery (included) . To prevent damage to transmitter remove the battery if not used for long periods of time.

A. ●●● Buttons:

These buttons are used to set the fan speeds as follow:

- = Low Speed
- = Medium Speed
- = High Speed

B. ■ Button:

This button turns the fan off.

C. ⌚ Button:

These buttons turn the light ON or OFF and also

control the brightness settings of the light. The following instructions apply to ceiling fans that feature a DOWN light (⌚ button) only or ceiling fans that feature an UP light (⌚ button) and a DOWN light (⌚ button) that are controlled independent of each other;

Press and release the button for the desired light to turn the light ON or OFF. Press and hold the button to set the desired light brightness. The light will cycle between bright and dim settings as long as the button is pressed.

The light key has an automatic auto-resume

feature that allows the light to remain at the same brightness as the last time it was turned off.

D. OFF-ON Slide Button (Wall Control Fans Only) This button turns the power Off and On to the Fan and Light(s).

E. ↻ Button: (Full Function Remote Control Units Only) This button is used to change the direction of the rotation of the blades; forward for warm weather or reverse for warm weather.

NOTE: If your Remote Control or Wall Control does not have a "REV" button, Please look for a slide reverse switch on the motor housing.

Speed settings for warm or cold weather depend on factors such as room size, ceiling height and number of fans.

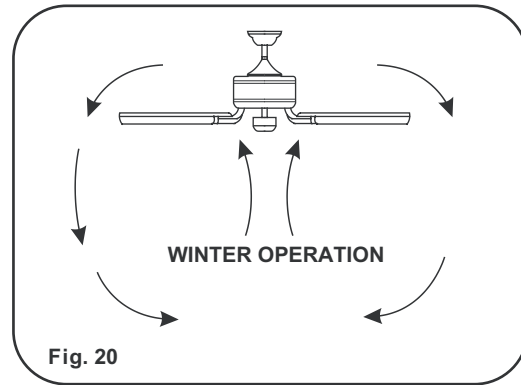
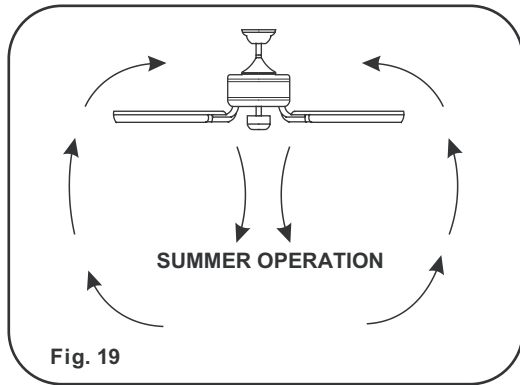
**NOTE:** To change the direction of the rotation of the blades the fan must be in operation mode.

**Warm Weather (forward)**

A **DOWNWARD** airflow creates a cooling effect as shown in Figure 19. This allows you to set your air conditioner on a warmer setting without affecting your comfort.

**Cool Weather (Reverse)**

An **UPWARD** airflow moves warmer air off the ceiling area as shown in Figure 20. This allows you to set your heating unit on a cooler setting without affecting your comfort.



## *CARE OF YOUR FAN*

Here are some suggestions to help you maintain your fan.

1. Because of the fan's natural movement, some connections may become loose. Check the support connections, brackets, and blade attachments twice a year. Make sure they are secure (It is not necessary to remove fan from ceiling.)
2. Clean your fan periodically to help maintain its new appearance over the years. Do not use water when cleaning. This could damage the motor, or the wood, or possibly cause an electrical shock.
3. Use only a soft brush or lint-free cloth to avoid scratching the finish. The plating is sealed with a lacquer to minimize discoloration or tarnishing.
4. You can apply a light coat of furniture polish to the wood for

additional protection and enhanced beauty. Cover small scratches with a light application of shoe polish.

5. There is no need to oil your fan. The motor has permanently lubricated bearings.

6. All glass should be cleaned using lukewarm soapy water and a soft cloth or sponge **DO NOT IMMERSE GLASS IN HOT WATER DO NOT PUT GLASS INTO AN AUTOMATIC DISHWASHER.**

### **WARNING**

**MAKE SURE THE POWER IS OFF AT THE ELECTRICAL PANEL BOX BEFORE YOU ATTEMPT ANY REPAIRS. REFER TO THE SECTION, "MAKING ELECTRICAL CONNECTIONS".**

## TROUBLESHOOTING

### SYMPTOM

Fan will not start

### SOLUTION

1. Check to make sure the wall switch is turned on.
2. Check circuit fuses or breakers.
3. **Cantion!** Make sure the power is turned off before performing the following steps.
4. Remove canopy and check wire connections.
5. Check wall control transmitter connections (if applicable).
6. **Note:** Fan must be installed from a maximum distance of 40 feet from the transmitting unit for proper signal transmission between the transmitting unit and the fan's receiving unit.

### SYMPTOM

Lights shut off and will not come back on.

### SOLUTION

1. This unit is equipped with a wattage limiting device. Lamping in excess of 190 watts will disable your ceiling fans light kit. To reset your light kit you must turn the power off and re-lamp. Keeping the wattage under 190 watts. Restore power to your ceiling fan and continue normal operation.

### SYMPTOM

Fan/Light turn on and off unexpectedly

### SOLUTION

2. This is caused by interference. Please see "Frequency interference" for steps to change the frequency.

### SYMPTOM

Fan sounds noisy

### SOLUTION

1. Allow a 24-hour "break in" period.  
Most noises associated with a new fan will go away during this time.
2. Make sure all blade attachment screws are tight.
3. Make sure outlet box is secured to building structure, if necessary use the wood screws provided to further secure outlet box to joist.
4. Make sure hanger bracket is secure to the outlet box, screws are tight.

### SYMPTOM

Fan Wobble

### SOLUTION

1. **NOTE:** All blade sets are grouped by weight. Because wood and plastic blades vary in density, the fan may wobble even though blades are matched.
2. Make sure outlet box is secured to building structure, if necessary use the wood screws provided to further secure outlet box to joist.
3. Make sure hanger bracket is secure to the outlet box, screws are tight.
4. Use the balancing kit provided if the wobble is excessive (follow instructions included with balancing kit)

## SYMPTOM

Frequency interference

## SOLUTION

1. Turn the power off to your ceiling fan.
2. Please use a small size tool to change the frequency setting on the control system.
3. Return power to the unit Note: After the AC power is on, do not press any other button on the transmitter before pressing the "Stop" button, doing so will cause the procedure to fail.
4. Within 60 seconds of turning the Fan's AC power ON. Press the transmitter's "Stop" button for 10 seconds.
5. Once the receiver has detected the set frequency, the down light of your fan if applicable will blink twice. (there is no indication if your fan is not equipped with a light).
6. The receiver has now learn the frequency which has been selected on the transmitter. After completing the steps above, you should be able to operate the ceiling fan and light. If the fan is not responding to the transmitter, please turn the power off to the receiver, and repeat the process.

# SPECIFICATIONS

12

| Blade Span | Fan Speed | Volts | Amp  | Watts | RPM's | CFM  | N.W. | G.W. | C.F.  |
|------------|-----------|-------|------|-------|-------|------|------|------|-------|
| 62"        | Low       | 120   | 0.49 | 21    | 51    | 2150 |      |      |       |
|            | Med       | 120   | 0.75 | 55    | 83    | 4200 | 16.0 | 18.5 | 3.39' |
|            | High      | 120   | 0.95 | 109   | 124   | 6550 | KGS  | KGS  |       |

*For any additional information about your Minka-Aire® Ceiling Fan, please write to:*

These are typical readings Your actual fan may vary. They do not include amps or wattage used by the light kit.



1151 W. Bradford Court, Corona, CA 92882 • For customer assistance call: 1-800-307-3267

MKA12120501

← English Verison