



Congratulations on your purchase of a **Minka-Aire™** ceiling fan! Your new fan will be a beautiful addition to your home, and will keep you comfortable throughout the year.

Minka-Aire™ offers a variety of ceiling fans: combinations of wood and brass finish, solid designer colors, and unique glass and crystal designs. A large selection of light fixtures and light kits are also available. Ask your dealer about accessories that will allow you to customize your fan.

We're certain that your **Minka-Aire™** fan will provide you with many years of comfort, energy savings and satisfaction. To ensure your personal safety and to maximize the performance of your fan, please read this manual thoroughly.

LIMITED LIFETIME WARRANTY

Minka-Aire™ warrants this fan to be free from defects in material and workmanship for one year from the date of purchase, except for the motor, **Minka-Aire™** warrants to the original owner that the motor in this fan shall be free from defects in material and workmanship as long as the original purchase owns the fan. **Minka-Aire™** only obligation under this limited warranty is to replace repair or refund the purchase price any fan confirmed by **Minka-Aire™** to be defective in material or workmanship after such fan is returned to **Minka-Aire™** by the original purchase along with a proof of purchase and with shipping charges prepaid. This warranty shall not apply to fans which have been damaged as a result of improper installation, removed from the original installation or subjected to use for which the fan was not designed. The customer shall be responsible for any cost of removing the old fan, installing a new fan or any other costs. This limited lifetime warranty is in lieu of all other expressed warranties. **Minka-Aire™** shall under no circumstances be liable for any incidental or consequential damages.

Date Purchase _____

Store Purchase _____

Model Number _____ F701 _____

Serial Number _____

CONTENTS

SAFETY RULES.....	1
PACKAGE CONTENTS.....	2
INSTALLING THE FAN.....	3
ASSEMBLING THE FAN.....	4
HANGING THE FAN.....	5
ELECTRICAL CONNECTIONS.....	6
INSTALLING THE WALL TRANSMITTER.....	7
FINISHING THE INSTALLATION.....	8
BLADE INSTALLATION.....	9
INSTALLING THE LIGHT BULB & GLASS SHADE.....	10
OPERATING YOUR WALL TRANSMITTER.....	11
CARE OF YOUR FAN.....	12
TROUBLESHOOTING.....	13
SPECIFICATIONS.....	14



1151 W. Bradford court, Corona, CA 92882
©and Patents 2002, All Rights Reserved



1. SAFETY RULES

1. Before you begin installing the fan, **shut the power off** at the circuit breaker or the fuse box.

2. Be cautious! Read all instructions and safety information before installing your new fan. Review accompanying assembly diagrams.

3. Make sure that all electrical connections comply with local codes, ordinances, or National Electrical Codes. Hire a qualified electrician or consult a do-it-yourself wiring handbook if you are unfamiliar with installing electrical wiring.

4. Make sure the installation site you choose allows the fan blades to rotate without any obstructions. Allow a minimum clearance of 7 feet from the floor and the floor to the lowest edge of the blades 18 inches from the tip of the blade to the wall.

5. If you are mounting the fan to a ceiling outlet box, use U.L. Listed metal octagonal outlet box marked "Acceptable for fan support". Secure the box directly to the building structure. The outlet box and its support must be able to support the moving weight of the fan (at least 50 lbs.) Do not use a plastic outlet box.

6. Caution: To reduce the risk of personal injury use only the screws provided with the outlet box.

7. If you are mounting the fan to a joist, make sure it is able to support the moving weight of the fan (at least 50 lbs.).

8. After you install the fan, make sure that all mountings are secured to prevent the fan from falling.

9. Do not insert anything into the fan blades while the fan is operating.

10. Turn the fan off and wait for it to stop completely before reversing the fan direction.

NOTE: The important safeguards and instructions appearing in this manual are not meant to cover all possible conditions and situations that may occur. It must be understood that common sense, caution and care are factors which can not be built into this product. These factors must be supplied by the person(s) installing, caring for and operating the unit.

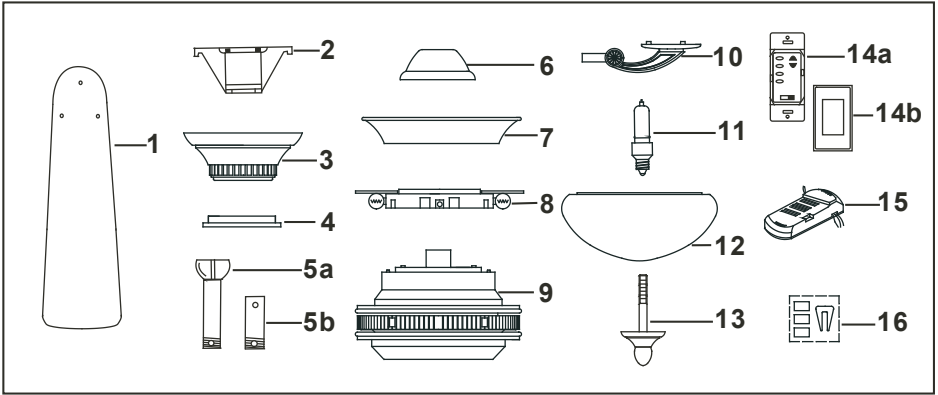
WARNING

TO REDUCE THE RISK OF FIRE, ELECTRIC SHOCK, OR OTHER PERSONAL INJURY, MOUNT FAN ONLY TO A U.L. LISTED OUTLET BOX OR SUPPORTING SYSTEM MARKED ACCEPTABLE FOR FAN SUPPORT AND USE MOUNTING SCREWS PROVIDED WITH THE OUTLET BOX IN CONJUNCTION WITH THE LOCKWASHERS PROVIDED WITH THE FAN. MOST OUTLET BOXES COMMONLY USED FOR THE SUPPORT OF LIGHTING FIXTURES ARE NOT ACCEPTABLE FOR FAN SUPPORT AND NEED TO BE REPLACED. CONSULT A QUALIFIED ELECTRICIAN IF IN DOUBT.

TO REDUCE THE RISK OF PERSONAL INJURY, DO NOT BEND THE BLADE HOLDERS WHILE INSTALLING, BALANCING THE BLADES, OR CLEANING THE FAN. DO NOT INSERT FOREIGN OBJECTS BETWEEN ROTATING FAN BLADES.

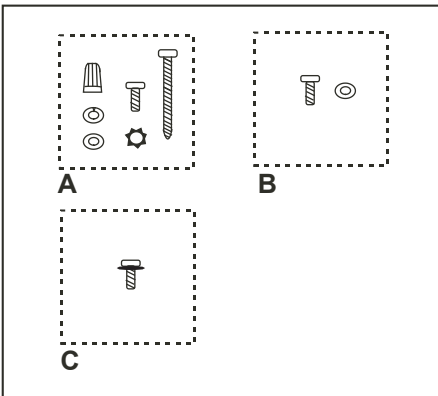
TO REDUCE THE RISK OF FIRE OR ELECTRIC SHOCK, DO NOT USE THIS FAN WITH ANY SOLID-STATE SPEED CONTROL DEVICE

PACKAGE CONTENTS 2.



Unpack your fan and check the contents. You should have the following items:

1. Fan blades (5)
2. Hanger bracket
3. Canopy
4. Canopy cover
- 5a. Standard downrod assembly
- 5b. Minimum-length downrod (for close to ceiling mounting only)
6. Coupling cover
7. Upper housing
8. Bulb holder assembly
9. Fan motor/housing assembly
10. Blade holders (5)
11. 50W Halogen bulb (2)
12. Glass shade
13. Light kit stem
- 14a. Wall Transmitter Incl. 2 Mounting Screws and 3 Wire Nuts
- 14b. Wall Plate w/2 Mounting screws
15. Receiver with 7 wire nuts
16. Balancing kit



A. Mounting Hardware:

- #10 X 1.5" Wood Screws (2 PCs.)
- #8-32 X 3/4" Machine screws (2PCs.)
- Lock washers (2 PCs.)
- 4mm Star washers (2 PCs.)
- Wire nuts (3 PCs.)
- Washers (2PCs.)

B. Blade Attachment Hardware:

- 3/16" x 7 mm Screws (16PCs.)
- Fiber Washers (16PCs.)

C. Bracket Holder Hardware:

- 3/16" x 3/4" Screws with lock washers (11PCs.)

3. INSTALLING THE FAN

Tools Required: Phillips screw driver; slotted screw driver; step-ladder; wire cutters; electrical tape.

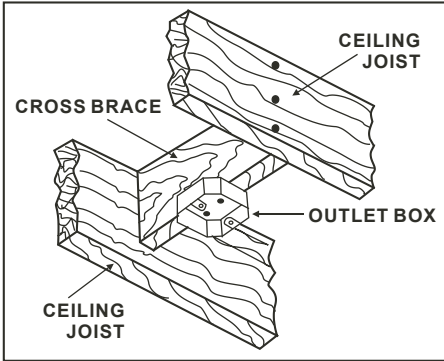


FIG. 1

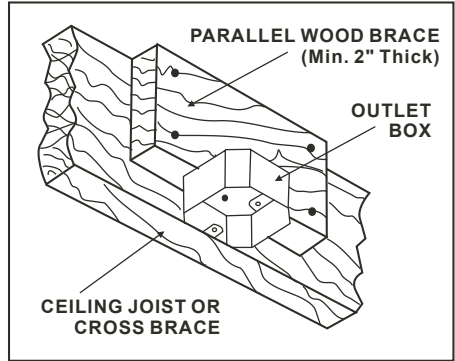


FIG. 2

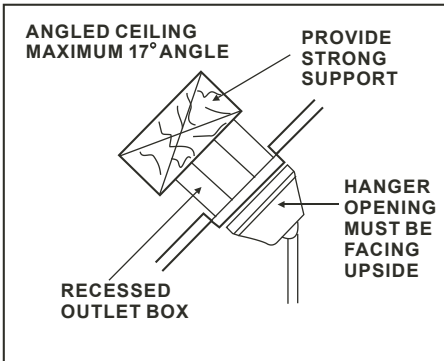


FIG. 3

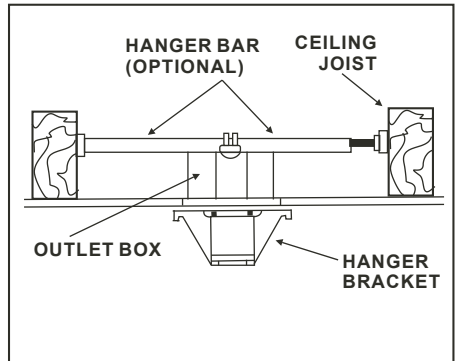


FIG. 4

MOUNTING OPTIONS

If there isn't an existing mounting box, then read the following instructions.

Disconnect the power by removing fuses or turning off circuit breakers.

Secure the outlet box directly to the building structure. Use appropriate fasteners and building materials. The outlet box and its support must be able to fully support the moving weight of the fan (at least 50 lbs.). **Use a UL Listed metal outlet box. Do not use a plastic outlet box.**

Figure 1, 2 and 3 are examples of different ways to mount the outlet box.

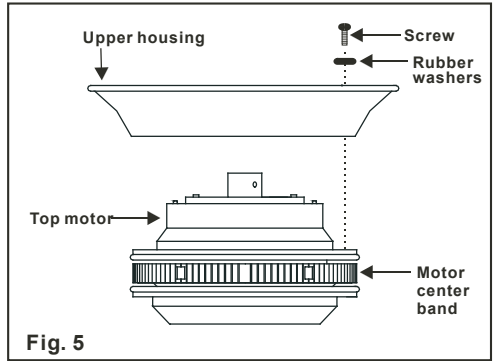
Note: You may need a longer downrod to maintain proper blade clearance when installing on a steep, sloped ceiling. Longer downrods are available from your **Minka-Aire™** dealer.

To hang your fan where there is an existing fixture but no ceiling joist, you may need to install a hanger bar as shown in Fig. 4 (available at your **Minka-Aire™** dealer).

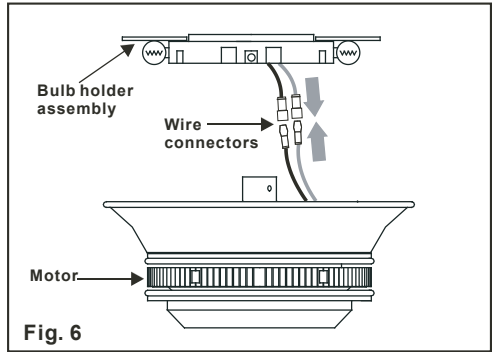
ASSEMBLING THE FAN 4.

Your fan is packed with the motor and Upper Housing unassembled, proceed the following steps for fan assembly:

Step1. Remove the two screws and rubber washers from the top of the motor center band. Place the upper housing over the motor center band and secure it with the two screws and rubber washers previously removed. (Fig.5)

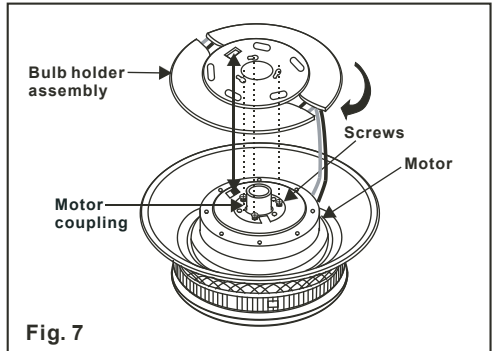


Step2. Engage the white wire connectors from the motor and the bulb holder assembly make sure the connection is secured Follow the same procedure for the orange and black wire connectors.(Fig.6)



Step3. Loosen the three screws (do not remove) from the motor coupling.(Fig. 7)

Step4. Place the bulb holder assembly key holes over the 3 screws previously loosened from the motor coupling, turn the bulb holder assembly until it locks in place at the narrow section of the key holes. secure by tightening the three screws previously loosened.(Fig.7)



5. HANGING THE FAN

REMEMBER to turn off the power. Follow the steps below to hang your fan properly:

Step 1. Secure the hanger bracket to the ceiling outlet box using screws included with your outlet box, lock washers included with the fan. (Fig.8)

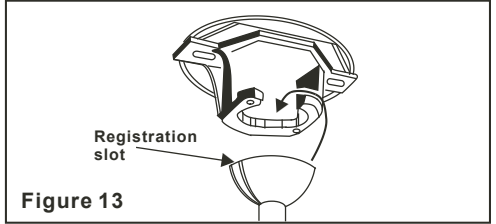
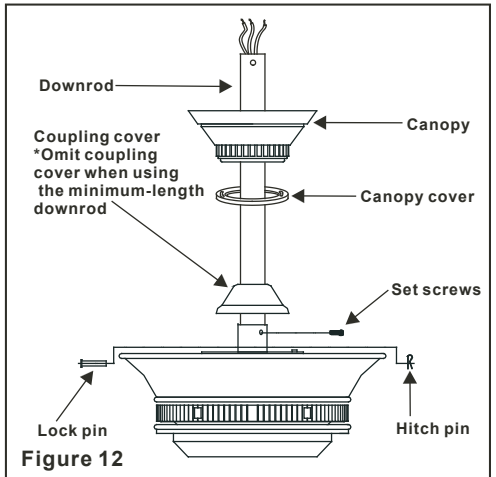
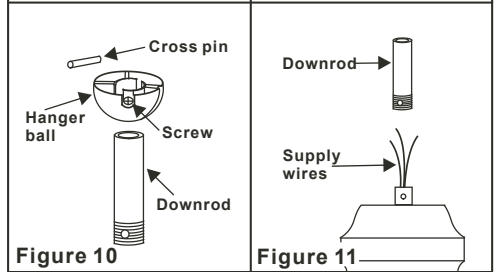
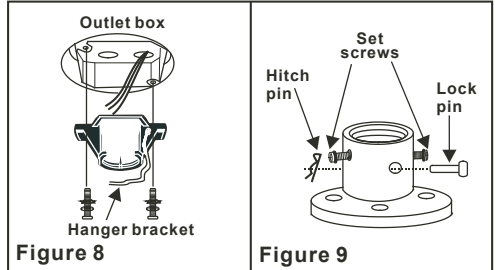
Step 2. Loosen the two set screws and remove the hitch pin and lock pin in the top coupling of the motor assembly. (Fig. 9)

Step 3. Remove hanger ball from downrod assembly by loosening set screw, removing the cross pin, and sliding ball off rod. (Fig.10)

Step 4. Carefully feed fan wires up through the downrod. (Fig. 11) Thread the rod into the coupling, next line up holes and replace lock pin and hitch pin. Tighten set screws.

Step 5. Slip coupling cover, canopy cover and canopy onto downrod. (Fig. 12) Carefully reinstall hanger ball onto rod being sure that cross pin is in correct position, set screws are tighten and wires are not twisted.

Step 6. Now lift motor assembly into position and place hanger ball into hanger bracket. Rotate until the check groove has dropped into the registration slot and seats firmly. (Fig. 13) Rod should not rotate if this is done correctly.



ELECTRICAL CONNECTIONS 6.

WARNING: To avoid possible electrical shock, be sure electricity is turned off at the main fuse box before wiring.

NOTE: (Fig. 14) This remote control unit is equipped with 16 code combinations to prevent possible interference from or to other remote units. The frequency switches on your receiver and wall transmitter have been pre-set from the factory. Please recheck to make sure the switches from both units are set to the same positions. Any combination of settings will operate the fan as long as the wall transmitter and receiver are set to the same switch settings.

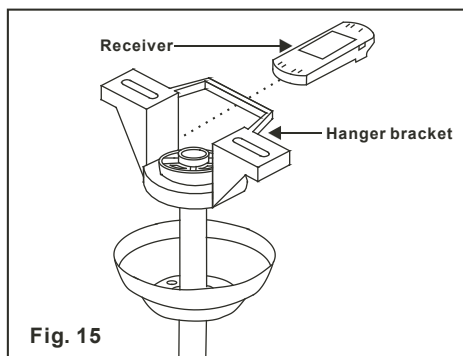
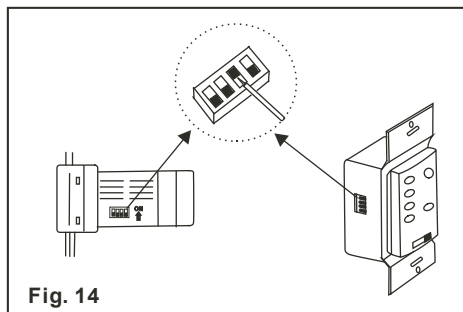
Step 1. (Fig.15) Insert the receiver unit into the hanger bracket with the flat side of the receiver facing the ceiling.

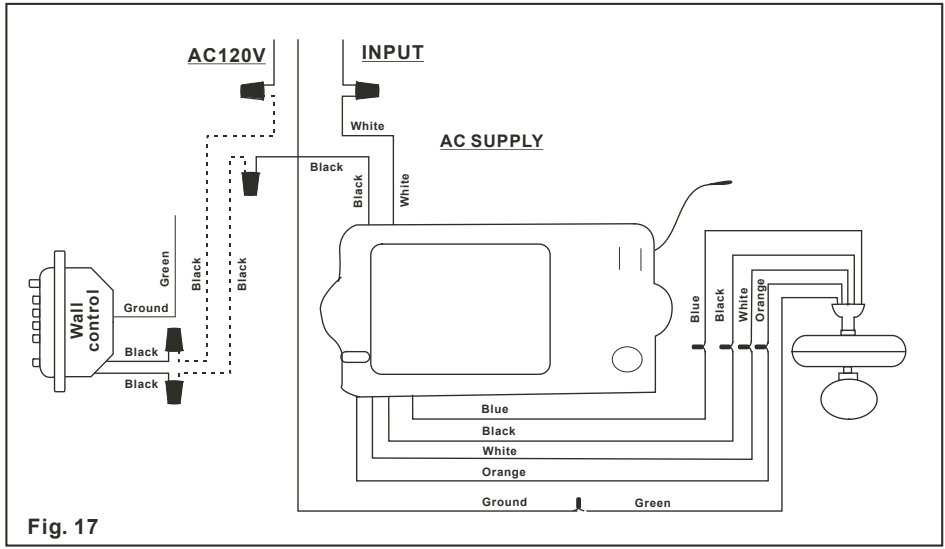
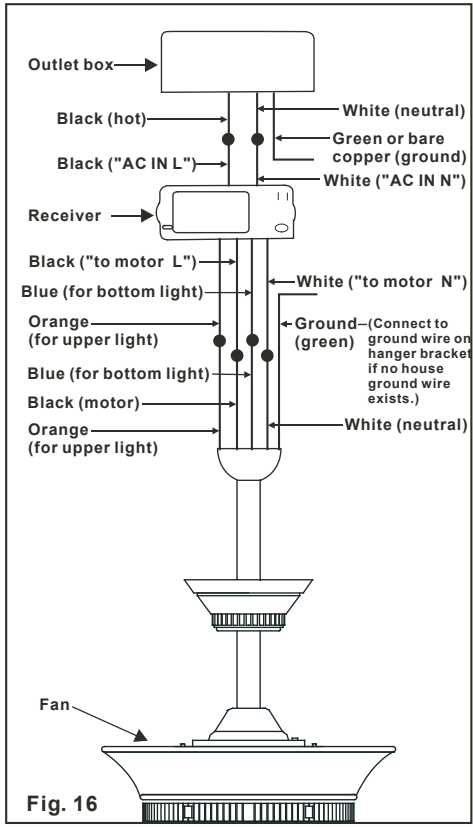
Step 2. (Fig. 16 & 17) Motor to receiver electrical connections; Connect the black wire from the fan to the black wire marked "To motor L" from the receiver. Connect the white wire from the fan to the white wire marked "To motor N" from the receiver. Connect the blue wire from the fan to the blue wire marked "For bottom light" from the receiver. Connect the orange wire from the fan to the orange wire marked "For Upper-light" from the receiver.

Step 3.(Fig. 16 & 17) Receiver to house supply wires electrical connections; Connect the black (Hot) wire from the outlet box to the black wire marked "AC in L" from the receiver. Connect the white (neutral) wire from the outlet box to the white wire marked "AC in N" from the receiver. Secure all wire connections with the plastic wire nuts provided.

Step 4. (Fig. 16 & 17) If your outlet box has a ground wire (green or bare copper) connect the fan ground wire from hanger ball and hanger bracket to it; otherwise connect the fan ground wire from the hanger ball and hanger bracket together.

Step 5. After the splices are made, secure connectors with electrical tape. Spread the wires apart so that the green and white wires are on one side of the outlet box and the black, orange and blue wires are on the other. Make sure there are no loose strands or connections. Turn wire connectors upward and push the wiring into the outlet box.





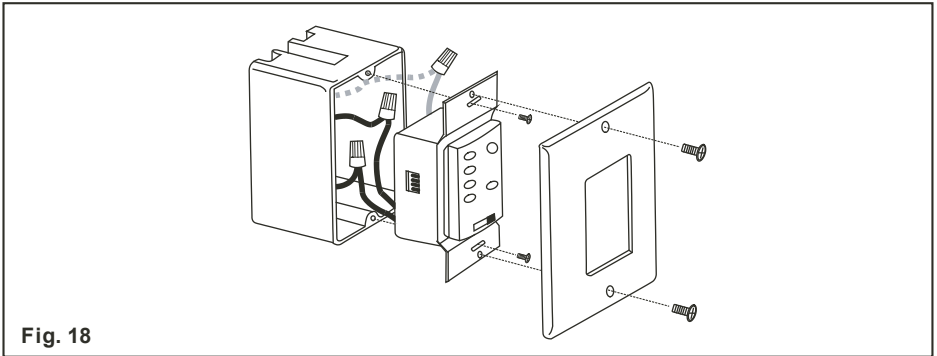
INSTALLING THE WALL TRANSMITTER 7.

WARNING: HOOK UP IN "SERIES ONLY" DO NOT CONNECT THE HOT AND NEUTRAL WIRES OF THE ELECTRIC CIRCUIT TO THE TRANSMITTER WALL SWITCH DAMAGE TO THE SWITCH AND POSSIBLE FIRE COULD OCCUR.

Step 1. Remove the existing wall plate and switch from the wall junction box..

Step 2. Make the electrical connections as shown in (Fig. 17). If your outlet box has a ground wire (green or bare copper) connect the wall transmitter's ground wire to it; otherwise connect the wall transmitter's ground wire directly to one of the screws from the outlet box.

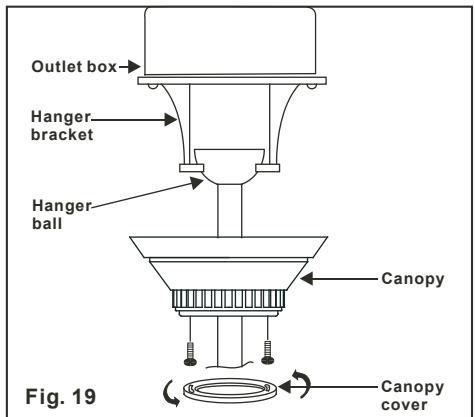
Step 3. (Fig. 18). Carefully tuck the wire connectors inside the junction box. Secure the wall transmitter with the two screws provided. Attach the decorator faceplate over the wall transmitter and secure with the two screws provided.



FINISHING THE INSTALLATION 8.

Step 1. Slide canopy up to the ceiling and over the 2 screws on hanger bracket. Rotate canopy clockwise, next, while holding the canopy with one hand slide the canopy cover over the screws and rotate clockwise until tight.

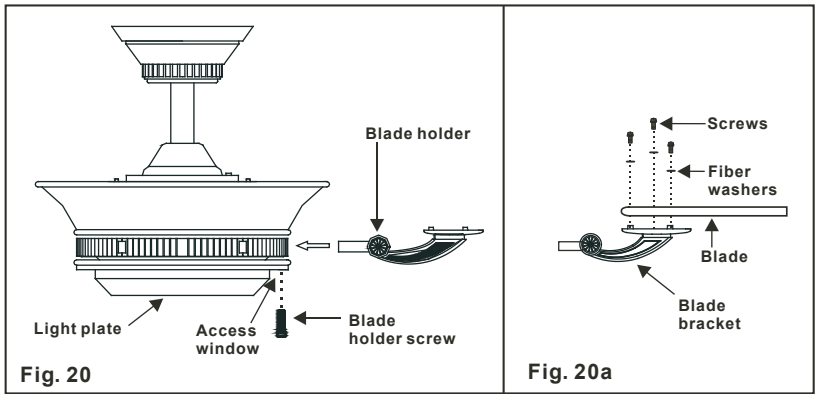
Note; Adjust canopy screws as necessary until the canopy and canopy cover are snug. (Fig. 19)



9. BLADE INSTALLATION

Step1. Attach the fan blade to the blade holder using the screws and fiber washers provided. Tighten screws securely. Repeat process for remaining blades.(Fig. 20A)

Step2. Rotate motor until holes become visible through the light plate access window. Align the holes from the blade holder to the holes from the motor and secure in place with screws provided (Fig. 20)



INSTALLING THE LIGHT BULB & GLASS SHADE 10.

WARNING: Shut of the power supply before removing or replacing lamp. In handling of halogen bulb, care should be taken not to touch it with your bare hands. Oil residue will shorten the life of the halogen bulb. If you accidentally come into contact, wipe thoroughly with a clean, lint-free, cotton cloth. Allow the bulb to cool off for 10 minutes before changing the bulb. Use light bulb in accordance with the fan's specification. **TO REDUCE THE RISK OF FIRE DO NOT EXCEED MAXIMUM WATTAGE RATING.**

Step 1. Install 2x50W halogen bulb by screwing it clockwise into bulb socket (Fig. 21).

Step 2. Raise the glass shade up against the light plate and secure it to the fan with the light kit stem. (Fig. 21)

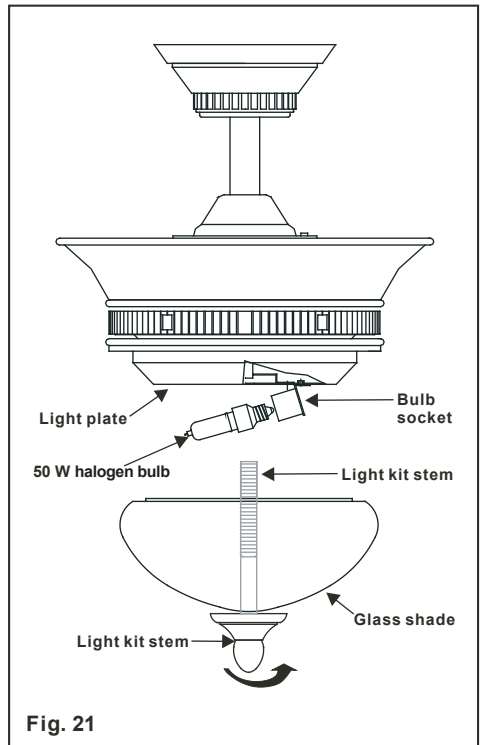


Fig. 21

11. OPERATING THE WALL TRANSMITTER

Restore power to ceiling fan and test for proper operation.

A. HI, MED, and LOW buttons:

These three buttons are used to set the fan speed as follows:

- HI= high speed
- Med= medium speed
- Low= low speed

B. FAN OFF button:

This button turns the fan off.

C. D/L button:

This button controls the down light.

D. U/L button:

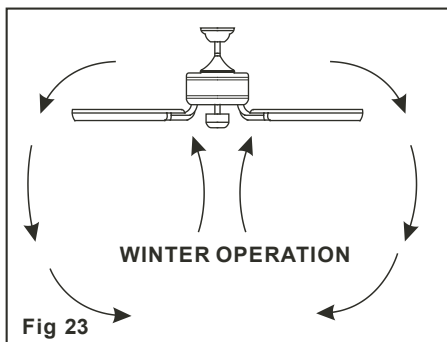
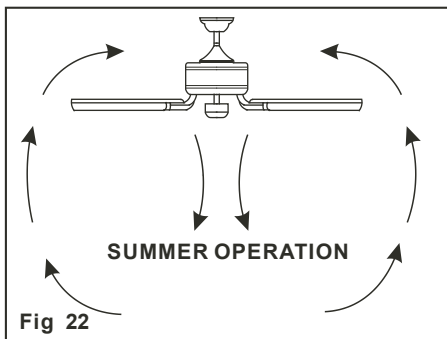
This button controls the up light.

Press and release the button to turn the light ON or OFF. Press and hold the button to set the desired brightness. The light key has an auto-resume, it will stay at the same brightness as the last time it was turned off.

Speed settings for warm or cool weather depend on factors such as the room size, Ceiling height, number of fans, etc.

The Reverse switch is located on the top of motor assembly. Slide the switch to the Left for warm weather operation. Slide the switch to the Right for cool weather operation.

NOTE: Wait for fan to stop before changing the setting of the slide switch.



Warm weather - (Forward)

A downward airflow creates a cooling effect as shown in Fig. 22. This allows you to set your air conditioner on a warmer setting without affecting your comfort.

Cool weather - (Reverse)

An upward airflow moves warm air off the ceiling area as shown in Fig. 23. This allows you to set your heating unit on a cooler setting without affecting your comfort.

CARE OF YOUR FAN 12.

Here are some suggestions to help you maintain your fan.

1. Because of the fan's natural movement, some connections may become loose. Check the support connections, brackets, and blade attachments twice a year. Make sure they are secure. **(It is not necessary to remove fan from ceiling.)**

2. Clean your fan periodically to help maintain its new appearance over the years. Do not use water when cleaning. This could damage the motor, or the wood, or possibly cause an electrical shock.

3. Use only a soft brush or lint-free cloth to avoid scratching the finish. The plating is sealed with a lacquer to minimize discoloration or tarnishing.

4. You can apply a light coat of furniture polish to the wood for additional protection and enhanced beauty. Cover small scratches with a light application of shoe polish.

5. **There is no need to oil your fan.** The motor has permanently lubricated bearings.

6. All glass should be cleaned using lukewarm soapy water and a soft cloth or sponge.

DO NOT IMMERSE GLASS IN HOT WATER. DO NOT PUT GLASS INTO AN AUTOMATIC DISHWASHER

WARNING

Make sure the power is off at the electrical panel box Before you attempt any repairs. Refer to the section, "Making Electrical Connections".

For any additional information about your **Minka-Aire™** Ceiling fan, please write to:



1151 W. Bradford Court
Corona, CA 92882

For customer assistance call: 1-800-307-3267

13. TROUBLESHOOTING

Problem

Solution

Fan will not start

1. Check fuses or circuit breakers.
2. Check line wire connections to fan.
CAUTION: Make sure main power is off.
3. Check to make sure the dip switches from the transmitter and receiver are set to the same frequency.

Fan sounds noisy.

1. Allow a 24-hour "break-in" period. Most noises associated with a new fan will go away during this time.
2. Make sure all motor housing screws are snug.
3. Make sure that the screws that attach the fan blade bracket to the motor hub are tight.
4. Make sure your outlet box is secured and rubber pads were used between the hanger bracket and outlet box.

Fan Wobble

1. Check that all blade and blade holder screws are secured.
2. Use the enclosed blade balancing kit if blade wobble is excessive. (See instructions included with the balancing kit.)

NOTE: All blade sets are grouped by weight. Because natural wood blades vary in density, the fan may wobble even though blades are weight matched.

14. SPECIFICATIONS

Fan Size	Speed	Volts	Amps	Watts	RPM	CFM	N.W.	G.W.	C.F.
52"	Low	120	0.34	15	74	1035	11.96 kgs	13.44 kgs	2.66'
	Medium	120	0.46	32	114	4000			
	High	120	0.56	67	172	5600			

These are typical readings. Your actual fan may vary. They do not include Amps and Wattage used by the light kit.