



# CRAFTSMAN™

BY  
minkaAire®  
A Minka Group® Co.

U.S. Patents: D579,097; D579,098; D579,103; D581,512; D583,044

*INSTRUCTION MANUAL WARRANTY CERTIFICATE*

This product is protected by United States Federal and/or State Law, including Patent, Trademark and/or Copyright laws.  
Manual design and all elements of manual design are protected by U.S. Federal and/or State Law, including Patent, Trademark and/or Copyright laws.



Minka-Aire® warrants to the original owner that this fan will be free from defects in material and workmanship for one year from the date of purchase, excluding the motor. Minka-Aire® warrants to the original owner that the motor in this fan shall be free from defects in material and workmanship for as long as the original purchaser owns the fan, and it remains in the original installation.

This is a limited warranty. Minka-Aire®'s only obligation under this limited warranty is to replace or repair, or refund the purchase price, in Minka-Aire®'s sole discretion without charge to the original owner, of the fan once Minka-Aire®'s confirms that the fan has a defect covered by this limited warranty.

Call our customer service department at 1-800-307-3267 to obtain the name of the Minka-Aire®'s authorized dealer closest to your location, or contact us through our web site, [www.minkagroup.net](http://www.minkagroup.net) and write to: Ask Mr. Minka if you have any questions or require further assistance.

To obtain warranty service, the owner should return the fan along with proof of purchase to a Minka-Aire® authorized dealer. The Minka-Aire® authorized dealer shall then, at its sole discretion: repair the fan, replace the fan, refund the purchase price less the amount directly attributable to the consumer's prior usage of the fan, or if necessary instruct the consumer to contact Minka-Aire® directly for warranty service. Minka-Aire® will be responsible for the cost of any repair, or replacement for any warranty service provided by a Minka-Aire® authorized dealer for product under warranty.

You may also at your preference obtain warranty service by returning the fan directly to Minka-Aire® along with proof of purchase, your name and return address, and a description of the claimed product defect. Pack carefully; damage sustained in return transit to Minka-Aire® will be the original owner's responsibility. Original owner shall be responsible to pay all shipping charges. To obtain warranty service, you may return a fan that proves to be defective during the warranty period to the following address:

Minka-Aire® - Warranty Service, 1151 W. Bradford Court, Corona, CA 92882

This warranty shall not apply to fans which have been damaged in any way, including improper installation, damage as a result of the removal of the fan from the original installation, or damage in shipping. This warranty shall not apply to fans which have been subjected to use for which the fan was not designed. The purchaser of the fan shall be responsible for any cost of removing the old fan, installing a new fan, or any other costs.

This limited warranty is in lieu of all other express warranties. This limited warranty excludes all incidental and consequential damages, and Minka-Aire® shall not under any circumstances be liable for incidental or consequential damages. Some states do not allow the exclusion of or limitation of incidental or consequential damages, so the foregoing limitation or exclusion may not apply to you.

This warranty gives you specific legal rights, and you may also have other rights which vary from state to state. We encourage you to promptly complete and return the enclosed warranty registration card. However, return of the warranty registration card is not a condition of this warranty.

Date Purchased \_\_\_\_\_ Store Purchased \_\_\_\_\_ Model No. F840 Serial No. \_\_\_\_\_

# ***CONTENTS***

SAFETY RULES .....	1	BLADE AND LIGHT CAP INSTALLATION .....	8
PACKAGE CONTENTS .....	2	INSTALLING THE LIGHT BULBS & GLASS SHADES .....	9
INSTALLING THE FAN .....	3	OPERATING THE REMOTE CONTROL/WALL CONTROL .....	10
HANGING THE FAN .....	4	CARE OF YOUR FAN .....	11
ELECTRICAL CONNECTIONS .....	5	TROUBLESHOOTING .....	12
INSTALLING THE WALL TRANSMITTER .....	6	SPECIFICATIONS .....	13
FINISHING THE INSTALLATION .....	7		



1151W. Bradford Court, Corona, CA 92882 • For Customer Assistance Call: 1-800-307-3267

american  
lighting  
association



**Intertek**

# 1

## ***SAFETY RULES***

1. Before you begin installing the fan, shut power off the circuit breaker of the fuse box.
2. Be cautious! Read all instructions and safety information before installing your new fan. Review accompanying assembly diagrams.
3. Make sure that all electrical connections comply with local codes, ordinance, or National Electrical Codes. Hire a qualified electrician or consult a do-it-yourself wiring handbook if you are unfamiliar with installing electrical wiring.
4. Make sure the installation site you choose allows the fan blades to rotate without any obstructions. Allow a minimum clearance of 7 feet from the floor and 18 inches from the tip of the blades to the wall.
5. If you are mounting the fan to a ceiling fan outlet box, use a U.L. Listed metal octagonal outlet box marked "Acceptable For Fan Support". Secure the box directly to the building structure. The outlet box and its support must be able to support the moving weight of the fan (at least 50 pounds). Do not use a plastic box.
6. Caution: To reduce the risk of injury use only the screws provided with the outlet box in conjunction with the lock washers provided with the fan.
7. If you are mounting the fan to a joist, make sure it is able to support the moving weight of the fan (at least 50 pounds)
8. After you install the fan, make sure that all mounting components are secured to prevent the fan from falling.
9. Do not insert anything into the fan blades while the fan is operating.
10. Turn the fan off and wait for the blades to stop completely before proceeding with maintenance or cleaning.

**SUITABLE FOR USE IN  
WET LOCATIONS**

**ATTENTION:** The Energy Policy Act of 2005 requires this fan to be equipped with a 190 watt limiting device. If lamping exceeds 190 watts, the ceiling fan's light kit will shut off automatically.

**NOTE:** The important safeguards and instructions appearing in this manual are not meant to cover all possible conditions and situations that may occur. It must be understood that common sense, caution and care are factors which can not be built into this product. These factors must be supplied by the person(s) installing caring for and operating the unit.

**NOTE: READ AND SAVE ALL INSTRUCTIONS!**

#### **WARNING**

**TO REDUCE THE RISK OF FIRE, ELECTRIC SHOCK OR OTHER PERSONAL INJURY, MOUNT FAN ONLY TO A U.L LISTED OUTLET BOX OR SUPPORTING SYSTEM MARKED ACCEPTABLE FOR FAN SUPPORT AND USE MOUNTING SCREWS PROVIDED WITH THE OUTLET BOX IN CONJUNCTION WITH THE LOCK WASHERS PROVIDED WITH THE FAN. MOST OUTLET BOXS COMMONLY USED FOR FAN SUPPORT OF LIGHTING FIXTURES ARE NOT ACCEPTABLE FOR FAN SUPPORT AND NEED TO BE REPLACED. CONSULT A QUALIFIED ELECTRICIAN IF IN DOUBT.**

**TO REDUCE THE RISK OF PERSONAL INJURY, DO NOT BEND THE BLADE HOLDER WHILE INSTALLING, BALANCING THE BLADES OR CLEANING THE FAN. DO NOT INSERT FOREIGN OBJECTS BETWEEN ROTATING FAN BLADES.**

**TO REDUCE THE RISK OF FIRE OR ELECTRONIC SHOCK, THIS FAN ONLY CAN USE UC7067RY SOLID-STATE SPEED CONTROL WITH UC9040T WALL CONTROL ONLY.**

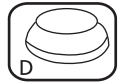
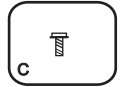
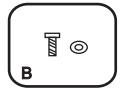
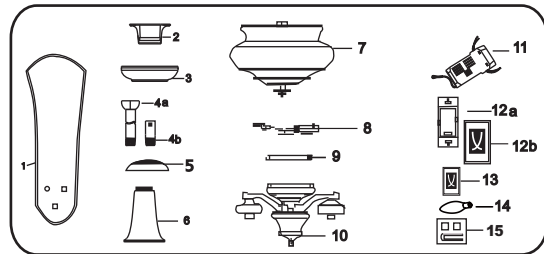
## 2

**PACKAGE CONTENTS**

Unpack your fan and check the contents.

You should have the following items:

1. Fan blades (5)
  2. Mounting bracket
  3. Canopy
  - 4a. Standard downrod assembly
  - 4b. Minimum-length downrod (for close to ceiling mounting only)
  5. Coupling cover
  6. Glass shades (3)
  7. Motor assembly (1)
  8. Blade holders (5)
  9. Light cap
  10. Light kit assembly (1)
  11. Receiver with 6 wire nuts
  - 12a. Wall transmitter Incl, 2 Mounting Screws and 3 Wire Nuts.
  - 12b. Wall Plate w/2 Mounting screws
  13. Extra wall plate
  14. Bulbs (3)
  15. Balancing Kit
- A. Mounting Hardware:**  
 #8-32x3/4" Machine screws (2 pcs)  
 #8x 1-1/2" Wood screws (2 pcs)  
 Flat washers (2 pcs)  
 Wire nuts (4 pcs)
- B. Blade Attachment Hardware:**  
 #8-32x8 Screws (16 pcs)  
 S.S Washers (16 pcs)
- C. Bracket Holder Hardware:**  
 1/4" x 1/2" Screws with lock washers (11 pcs)
- D. Downrod rubber cover**
- E. Finial**





# INSTALLING THE FAN

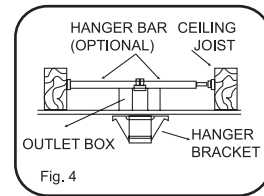
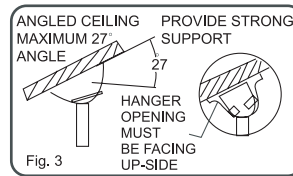
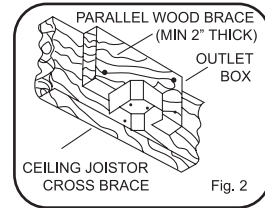
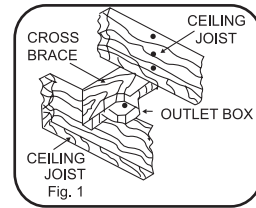
Tools Required: Philips screw driver, slotted screw driver, step-ladder, wire cutters, electrical tape.

## MOUNTING OPTIONS

If there isn't an existing mounting box, then read the following instructions. Disconnect the power by removing fuses or turning off circuit breakers.

Secure the outlet box directly to the building structure. Use appropriate fasteners and building materials. The outlet box and its support must be able to fully support the moving weight of the fan (at least 50 lbs.). Use a UL Listed metal outlet box. Do not use a plastic outlet box.

Note: You may need a longer downrod to maintain proper blade clearance when installing on a steep, sloped ceiling. Longer downrods are available from your Minka-Aire® dealer).



# 4

## *HANGING THE FAN*

**WARNING:** All of the parts, hardware and components such as the hanger bracket and hanger ball have been provided for your safety and the proper installation of your new ceiling fan. The use of other parts, hardware or components not supplied by Minka Aire® with the fan will void the Minka Aire® Warranty.

**REMEMBER** to turn off the power. Follow the steps below to hang your fan properly:

Step 1. Secure the hanger bracket to the ceiling outlet box using screws included with your outlet box, lock washers included with the fan.(Fig 5)

Step 2. Loosen the two set screws and remove the hitch pin and lock pin from the top coupling of the motor assembly.(Fig 6)

Step 3. Remove hanger ball from downrod assembly by loosening set

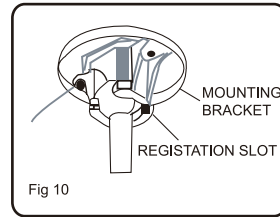
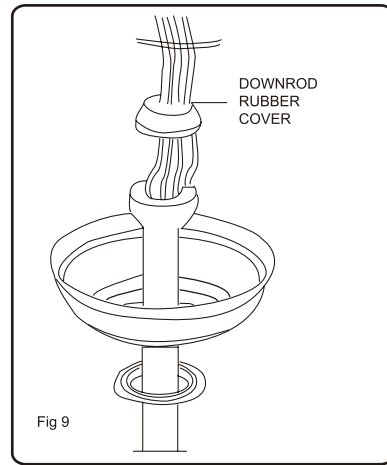
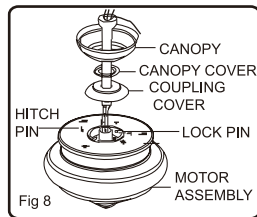
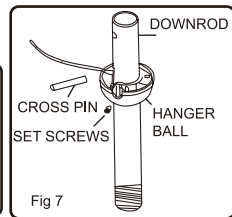
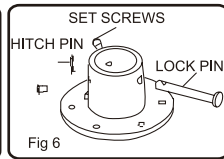
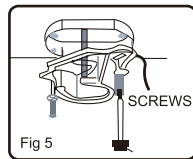
screw, removing the cross pin, and sliding ball off rod.(Fig 7)

Step 4. Carefully feed fan wires up through the downrod (Fig 8). Thread the rod into the coupling, line up holes and replace lock pin and hitch pin. Tighten set screws.

Step 5. Slip coupling cover, and canopy onto downrod (Fig 8). Carefully reinstall hanger ball onto rod being sure that cross pin is in the correct position, set screws are tightened and wires are not twisted.

Step 6. Place downrod rubber cover onto the hanger ball (Fig 9)

Step 7. Now lift motor assembly into position and place hanger ball into hanger bracket. Rotate until the check groove has dropped into the registration slot and seats firmly. (Fig 10) Rod should not rotate if this is done correctly.



## ***ELECTRICAL CONNECTIONS***

**WARNING:** To avoid possible electrical shock be sure electricity is turned off at the main fuse or breaker box before wiring.

**NOTE:** The Aire Control® System is equipped with a learning frequency function which has 256 code combinations to prevent potential interference from other remote units. The frequency on your Receiver and Transmitter units have been preset at the factory. We recommend changing the frequency while installing your ceiling fan instead of using the initial frequency set by factory. Please use a small size tool to change the frequency settings and follow the next steps. Within 60 seconds of turning the Receivers AC power ON. Press the transmitter's "Stop" button. Hold the "Stop" button for longer than 3 seconds, once the receiver has detected the set frequency, the down light of your fan (if applicable) will blink twice. The receiver will then learn the frequency which has been selected on the transmitter. (Fig. 11) After completing the steps above, you should be able to operate the ceiling fan and light. If the fan is not responding to the transmitter, please turn the power off to the receiver, and repeat the process.

**Note:** After the AC power is on, do not press any other button on the transmitter before pressing the "Stop" button, doing so will cause the procedure to fail.

**Step 1.** Insert Receiver into Hanger Bracket with the flat side of the Receiver facing the ceiling. ( Fig. 12 )

**Step 2. Motor to Receiver Electrical Connections:** Connect the **WHITE** wire from the fan to the **WHITE** wire marked "TO MOTOR N" from the Receiver. Connect the **BLACK** wire from the fan to the **BLACK** wire marked "TO MOTOR L" from the Receiver. Connect the **BLUE** wire from the fan to the **BLUE** wire marked "For Light" from the Receiver.

**NOTE:** If your ceiling fan features an UP Light: Connect the **ORANGE** wire from the fan to the **ORANGE** wire marked "For UP Light" from the receiver. Otherwise disregard this step and proceed to secure all wire connections with the plastic wire nuts provided. ( Fig. 13 & 14 )

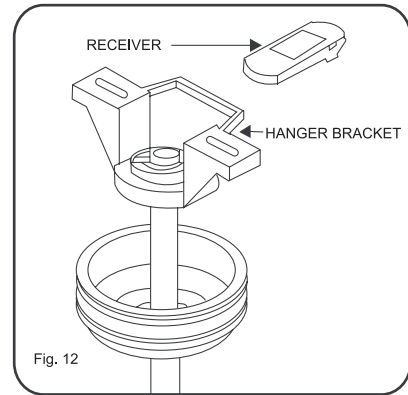
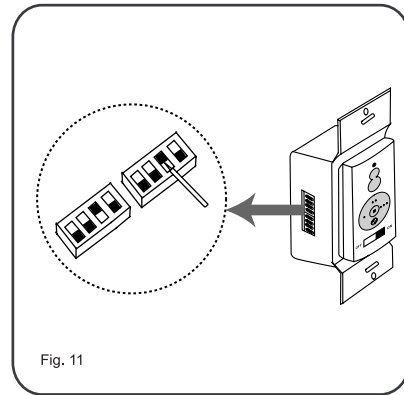
**Note:** Fan must be installed at a maximum distance of 40 feet from the transmitting unit for proper signal transmission between the transmitting unit and the fan's receiving unit.

**Step 3. Receiver to House Supply Wires Electrical Connections:**

Connect the **WHITE** wire (Neutral) from the outlet box to the **WHITE** wire marked "AC in N" from the receiver. Connect the **BLACK** wire (Hot) From the outlet box to the **BLACK** wire marked "AC in L" from the receiver. Secure all wire connections with the plastic wire nuts provided. ( Fig. 13 & 14 )

**Step 4.** If your outlet box has a **GROUND** wire (Green or Bare opper) connect this wire to the Hanger Ball and Hanger Bracket Ground wires. If your outlet box does not have a Ground Wire, then connect the Hanger Ball and Hanger Bracket Ground Wires together. Secure wire connection with the plastic wire nut provided. ( Fig. 13 & 14 )

After all splices are made, check to make sure there are no loose strands. As an additional precaution we suggest to secure the plastic wire connectors to the wires with electrical tape.



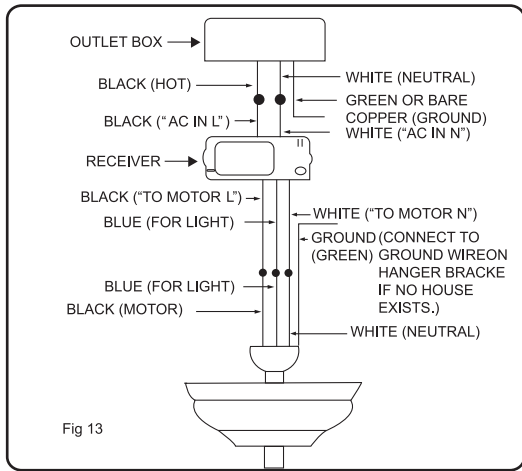


Fig 13

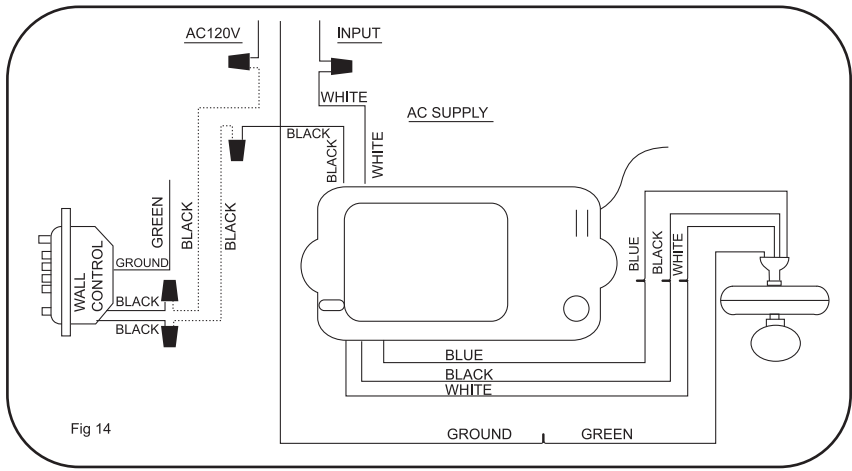


Fig 14

# INSTALLING THE WALL TRANSMITTER

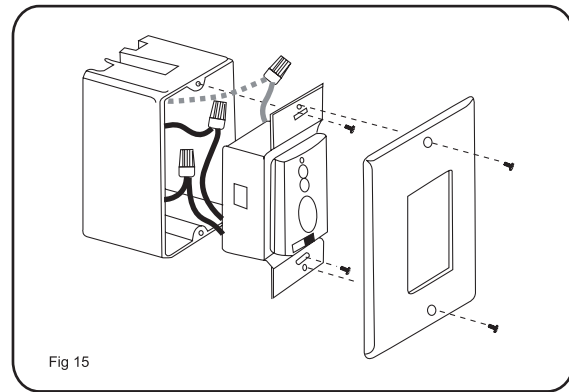
**WARNING! HOOK UP "IN SERIES" ONLY. DO NOT CONNECT NEUTRAL SUPPLY WIRE OF ELECTRIC CIRCUIT TO THE TRANSMITTER WALL SWITCH. DAMAGE TO THE TRANSMITTER WALL SWITCH AND POSSIBLE FIRE COULD OCCUR.**

Step 1. Remove the existing wall plate and switch from the wall outlet box.

Step 2. Make the electrical connections as shown in Fig 14. If your outlet box has a ground wire (Green or Bare Copper) connect the Transmitter's ground wire directly to one of the screws from the outlet box. Secure all wire connections with the plastic wire nuts provided.

Step 3. Carefully tuck the wire connections inside the outlet box. The AireControl<sup>®</sup> System provided with your fan includes two sets of face and decorative plate color options. The wall control comes with a standard white faceplate attached. If you desire to replace it with the Ivory color faceplate, use your fingernail or a small flat screwdriver and gently pry it apart from the top or bottom of the plate. Use the screws provided to secure the wall transmitter and wall plate to the outlet box. (Fig 15)

**NOTE:** Your Aire Control<sup>®</sup> System includes two sets of face and decorative plate color options. The wall control comes with standard white faceplate attached. If you desire to replace it with the Ivory color faceplate included, use a small flat screw driver and gently pry it apart from the top or bottom of the plate.

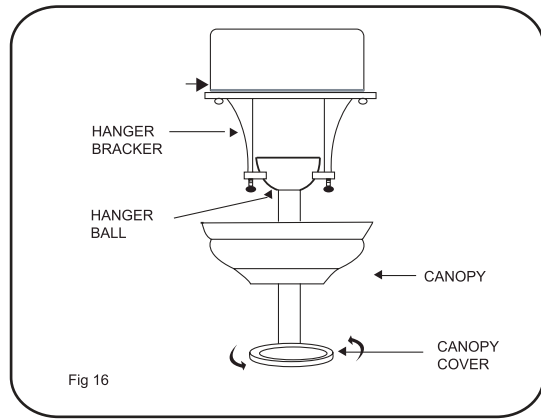


## 7

## FINISHING THE INSTALLATION

Step 1. Slide the Canopy up over the hanger bracket and place the keyholes from the canopy over the two screws from the hanger bracket. Rotate Canopy until it locks at the narrow section of the keyholes. While holding the canopy in place with one hand, slide the canopy cover over the screw heads and rotate until snug. (Fig 16)

**NOTE:** adjust screws as needed until canopy and canopy cover are snug.





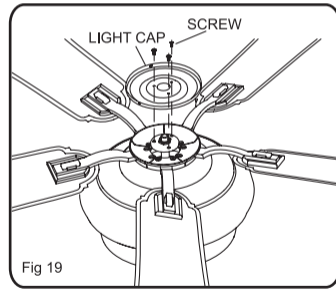
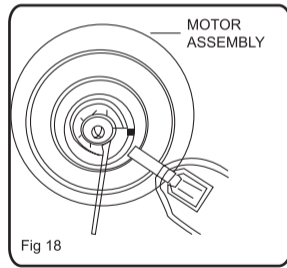
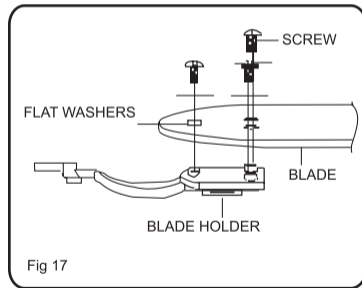
## *BLADE AND LIGHT CAP INSTALLATION*

THE FOLLOWING OPERATION MUST BE ACCOMPLISHED BEFORE INSTALLING THE LIGHT KIT

Step 1. Attach the fan blade to the blade holder using the screws and flat washers provided, Tighten screws securely. Repeat process for remaining blades. (Fig 17)

Step 2. Rotate motor so that the screw holes are revealed through the opening on switch cap plate. Align motor holes to blade holders and secure with screws provided, tighten screws securely. Repeat process with the other blades. (Fig 18)

Step 3. Remove the screws from the motor housing, place the light cap over the motor housing and align the holes. Secure in place with screws previously removed. (Fig 19)



## 9

## *INSTALLING THE LIGHT BULBS & GLASS SHADES*

**NOTE:** Before starting installation, make sure power is turned off at the circuit breaker.

**ATTENTION:** The Energy Policy Act of 2005 requires this fan to be equipped with a 190 watt limiting device. If lamping exceeds 190 watts, the ceiling fan's light kit will shut off automatically.

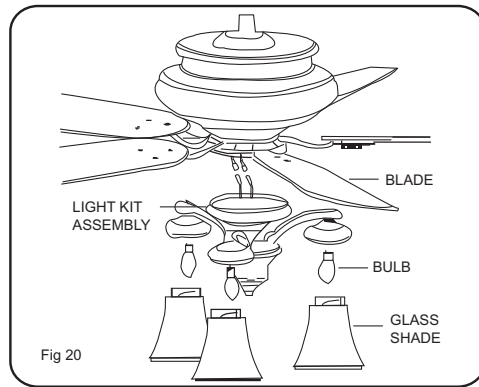
**Step 1.** Remove the 3 screws from the light cap.

**Step 2.** Connect the white connectors from the light kit and fan, do the same with the black connectors.

**Step 3.** Place light kit over the light cap, secure with the 3 screws previously removed.

**Step 4.** Install the 3-60w (Max.) candelabra base bulbs (bulbs included).

**Step 5.** Install glass shades, do not overtighten.



## Fan Without Light Kit

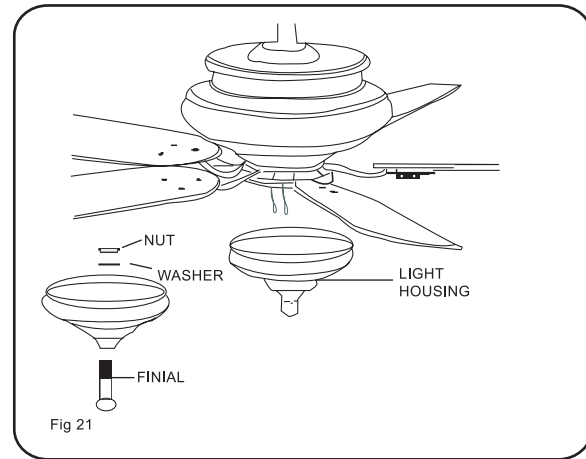
**NOTE:** The switch cup and switch cup holder have been included with your fan as an option to replace the light kit. **NOTE:** The switch cup and switch cup holder are not necessary for the light kit installation, the switch cup can be saved for later use if desired.

Step 1. Remove the 3 screws from light cap.

Step 2. Disassemble the light housing from the light kit. (save light kit for future use if desired) (Fig 21)

Step 3. Install finial provided onto the light housing, secure with washer and nut. (Fig 21)

Step 4. Place the light housing over the light cap, secure with screws previously removed. (Fig 21)



## OPERATING THE REMOTE CONTROL/WALL CONTROL

Remote Control only: Install a A 23,12v battery included. To prevent damage to transmitter remove the battery if not used for long periods time.

A. (●●● Buttons):

These buttons are used to set the fan speeds as follows:

- = Low Speed
- = Medium Speed
- = High Speed

B. (■ Button):

This button turns the fan off

C. (⊗ Button):

These buttons turn the light ON or OFF and also control the brightness setting of the light. The

following instructions apply to ceiling fans that feature a DOWN light (⊗ button) only or ceiling fans that feature an UP light (⊙ button) and a DOWN light (⊗ button) that are controlled independent of each other:

Press and release the button for the desired light to turn the light ON or OFF. Press and hold the button to set the desired light brightness. The light will cycle between bright and dim setting as long as the button is pressed. The light key has an automatic auto-resume feature that allows the light to remain at the same brightness as the last time it was turned off.

D. OFF-ON Slide Button ( Wall Control Fans Only)

This button turns the power Off and On to the fan and light(s).

E. (↻) Button: (Full Function Remote Control Units Only)

This button is used to change the direction of the rotation of the blades: forward for warm weather or reverse for cool weather

NOTE: If your Remote Control does not have a "↻" button, Please look for a slide reverse switch on the motor housing.

speed settings for warm or cold weather depend on factors such as room size, ceiling height and number of fans.

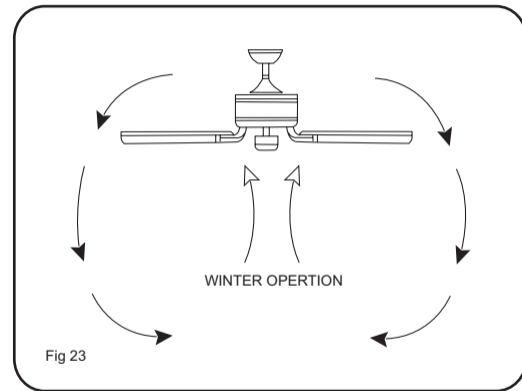
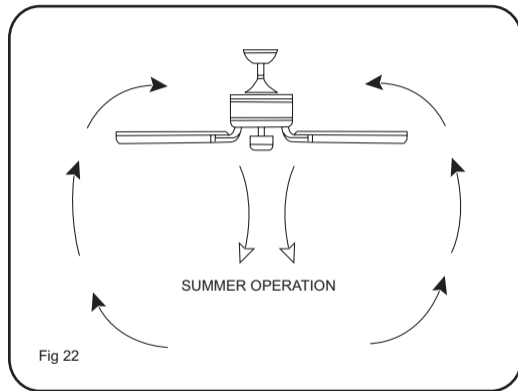
**NOTE:** To change the direction of the rotation of the blades the fan must be in operation mode.

**Warm Weather (forward)**

A **DOWNWARD** airflow creates a cooling effect as shown in Figure 22. This allows you to set your air conditioner on a warmer setting without affecting your comfort.

**Cool Weather (Reverse)**

An **UPWARD** airflow moves warmer air off the ceiling area as shown in Figure 23. This allows you to set your heating unit on a cooler setting without affecting your comfort.



## *CARE OF YOUR FAN*

Here are some suggestions to help maintain your fan.

1. Because of the fan's natural movement some connections may become loose. Check the support connections, brackets and blade attachments twice a year. Make sure they are secure. (It is not necessary to remove fan from the ceiling).
2. Clean your fan periodically to help maintain its new appearance over the years. Use only a soft brush or lint free cloth to avoid scratching the finish. Plated finishes are sealed with lacquer to minimize discoloration or tarnishing.
3. If your fan is provided with wood veneer blades; you can apply a light coat of furniture polish for additional protection and enhanced beauty. Cover small scratches with a light application of shoe polish.

4. Use a lint free lightly damp cloth or duster to remove dust from the blades.

There is no need to oil your fan. The motor has permanently lubricated bearings.

6. If your fan is provided with glass shades, clean with lukewarm soapy water and a soft cloth or sponge. **DO NOT IMMERSE GLASS SHADES IN HOT WATER. DO NOT PUT GLASS SHADES INTO AN AUTOMATIC DISHWASHER.**

### **WARNING**

**MAKE SURE THE POWER IS OFF AT THE ELECTRICAL PANEL BOX BEFORE YOU ATTEMPT ANY REPAIRS. REFER TO THE SECTION "ELECTRICAL CONNECTIONS".**

## SYMPTOM

Fan will not start

## SOLUTION

1. Check to make sure the wall switch is turned on.
2. Check circuit fuses or breakers.
3. Caution! Make sure the power is turned off before performing the following steps.
4. Remove canopy and check wire connections.
5. Check wall control transmitter connections ( if applicable).

NOTE: Fan must be installed at a maximum distance of 40 feet from the transmitting unit for proper signal transmission between the transmitting unit and the fan's receiving unit.

## SYMPTOM

Fans/Light Turn on and Off Unexpectedly

## SOLUTION

1. This is caused by interference, change the code frequency from the transmitter, and follow the instructions from Section 5 again to operate your transmitter and fan.

## SYMPTOM

Fan Sounds Noisy

## SOLUTION

1. Allow a 24-hour "break in" period. Most noises associated with a new fan will go away during this time.
2. Make sure the screws that attach the fan blade holder to the motor hub is tight.
3. Make sure outlet box is secured to building structure, if necessary use the wood screws provided to further secure outlet box to joist.
4. Make sure hanger bracket is secure to the outlet box, screws are tight.

## SYMPTOM

Fan Wobble

## SOLUTION

NOTE: All blade sets are grouped by weight. Because wood and plastic blades vary in density, the fan may wobble even though blades are matched.

1. Make sure outlet box is secured to building structure, if necessary use the wood screws provided to further secure outlet box to joist
2. Make sure hanger bracket is secure to the outlet box, screws are tight.
3. Use the balancing kit provided if the wobble is excessive (follow instructions included with balancing kit)

## SYMPTOM

Lights shut off and will not come back on.

## SOLUTION

1. This unit is equipped with a wattage limiting device. Lamping in excess of 190 watts will disable your ceiling fan's light kit. To reset your light kit, you must turn the power off and re-lamp, keeping the wattage under 190 watts. Restore power to your ceiling fan and continue normal operation.

## 13

**SPECIFICATIONS**

These are typical readings. Your actual fan may vary. They do not include amps and wattage used by the light(s).

Fan Size	Speed	Volts	Amps	Watts	RPM	CFM	N.W.	G.W.	C.F.
52"	Low	120	0.35	16	67	2380			
	Med	120	0.52	40.3	121	3979	30.84	35.24	3.465
	High	120	0.65	77.7	170	5374	lbs.	lbs.	cf.

For any additional information about your Minka Aire® Ceiling fan, please write to:



1151 W. Bradford Court, Corona, CA 92882

• For Customer Assistance Call: 1-800-307-3267

F840