

minkaAire™

Concept II Flush™
Model No.F518
Model No.F519



Instruction Manual

Please Read and Save Instructions

Lifetime
WARRANTY



Congratulations on your purchase of a **Minka-Aire™** ceiling fan! Your new fan will be a beautiful addition to your home, and will keep you comfortable throughout the year.

Minka-Aire™ offers a variety of ceiling fans: combinations of wood and brass finishes, solid designer colors, and unique glass and crystal designs. A large selection of light fixtures and light kits are also available. Ask your dealer about accessories that will allow you to customize your fan.

We're certain that your **Minka-Aire™** fan will provide you with many years of comfort, energy savings and satisfaction. To ensure your personal safety and to maximize the performance of your fan, please read this manual thoroughly.

LIMITED LIFETIME WARRANTY

Minka-Aire™ warrants this fan to be free from defects in material and workmanship for one year from the date of purchase, except for the motor. **Minka-Aire™** warrants to the original owner that the motor in this fan shall be free from defects in material and workmanship as long as the original purchaser owns the fan. **Minka-Aire's™** only obligation under this limited warranty is to replace, repair or refund the purchase price any fan confirmed by **Minka-Aire™** to be defective in material or workmanship after such fan is returned to **Minka-Aire™** by the original purchaser along with a proof of purchase and with shipping charges prepaid. This warranty shall not apply to fans which have been damaged as a result of improper installation, removed from the original installation or subjected to use for which the fan was not designed. The customer shall be responsible for any cost of removing the old fan, installing a new fan or any other costs. This limited lifetime warranty is in lieu of all other expressed warranties. **Minka-Aire™** shall under no circumstances be liable for any incidental or consequential damages.

Date Purchased _____

Store Purchased _____

Model No. F518/F519

Serial No. _____

Minka-Aire
© and Patented 2002, All Rights Reserved
1151 W. Bradford Court, Corona, CA 92726

CONTENTS

SAFETY FIRST	1
PACKAGE CONTENTS	2
INSTALLING THE MOUNTING BRACKET	3
ELECTRICAL CONNECTIONS	4
FINISHING THE INSTALLATION	5
BLADE INSTALLATION	6
INSTALLING THE LIGHT BULB & GLASS SHADE	7
OPERATING THE REMOTE CONTROL	8
CARE OF YOUR FAN	9
TROUBLESHOOTING	10
SPECIFICATIONS	11

minkaAire™

1151 W. Bradford Court, Corona, CA 92882
© and Patented 2002, All Rights Reserved

american
lighting
association



1. SAFETY FIRST

1. Before you begin installing the fan, **shut the power off** at the circuit breaker or the fuse box.

2. **Be cautious!** Read all instructions and safety information before installing your new fan. Review accompanying assembly diagrams.

3. Make sure that all electrical connections comply with local codes, ordinances, or National Electrical Codes. Hire a qualified electrician or consult a do-it-yourself wiring handbook if you are unfamiliar with installing electrical wiring.

4. Make sure the installation site you choose allows the fan blades to rotate without any obstructions. Allow a **minimum clearance of 7 feet** from the floor to the lowest edge of the blades and **18 inches** from the tip of blade to the wall.

5. If you are mounting the fan to a ceiling outlet box, use U.L. Listed metal octagonal outlet box marked "Acceptable for fan support". Secure the box directly to the building structure. The outlet box and its support must be able to support the moving weight of the fan (at least 50 lbs.) **Do not use a plastic outlet box.**

6. **Caution:** To reduce the risk of personal injury use only the screws provided with the outlet box.

7. If you are mounting the fan to a joist, make sure it is able to support the moving weight of the fan (at least 50 lbs.).

8. After you install the fan, make sure that all mountings are secured to prevent the fan from falling.

9. Do not insert anything into the fan blades while the fan is operating.

10. Turn the fan off and wait for it to stop completely before reversing the fan direction.

NOTE: The important safeguards and instructions appearing in this manual are not meant to cover all possible conditions and situations that may occur. It must be understood that common sense, caution and care are factors which can not be built into this product. These factors must be supplied by the person(s) installing, caring for and operating the unit.

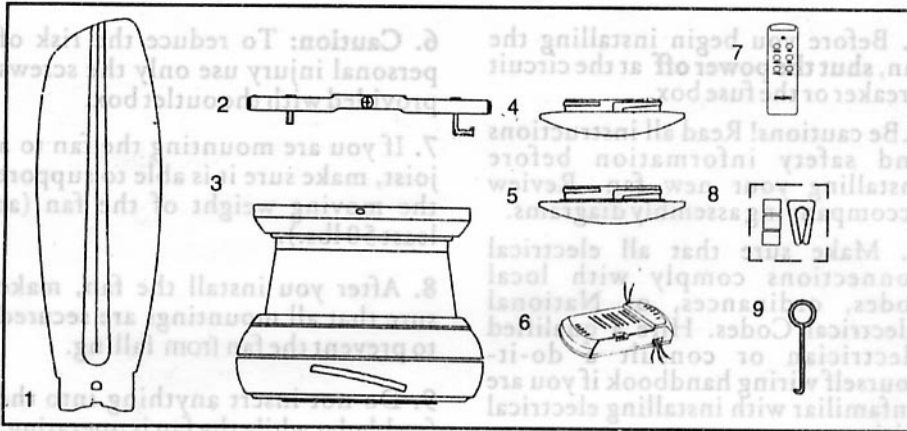
WARNING

TO REDUCE THE RISK OF FIRE, ELECTRIC SHOCK, OR OTHER PERSONAL INJURY, MOUNT FAN ONLY TO A U.L. LISTED OUTLET BOX OR SUPPORTING SYSTEM MARKED ACCEPTABLE FOR FAN SUPPORT AND USE MOUNTING SCREWS PROVIDED WITH THE OUTLET BOX IN CONJUNCTION WITH THE LOCKWASHERS PROVIDED WITH THE FAN. MOST OUTLET BOXES COMMONLY USED FOR THE SUPPORT OF LIGHTING FIXTURES ARE NOT ACCEPTABLE FOR FAN SUPPORT AND NEED TO BE REPLACED. CONSULT A QUALIFIED ELECTRICIAN IF IN DOUBT.

TO REDUCE THE RISK OF PERSONAL INJURY, DO NOT BEND THE BLADE HOLDERS WHILE INSTALLING, BALANCING THE BLADES, OR CLEANING THE FAN. DO NOT INSERT FOREIGN OBJECTS BETWEEN ROTATING FAN BLADES.

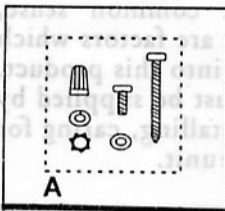
TO REDUCE THE RISK OF FIRE OR ELECTRIC SHOCK, DO NOT USE THIS FAN WITH ANY SOLID-STATE SPEED CONTROL DEVICE.

PACKAGE CONTENTS 2!



Unpack your fan and check the contents. You should have the following items:

- | | |
|---|--|
| <ol style="list-style-type: none"> 1. Fan Blades (3) 2. Mounting Bracket 3. Fan Motor/Housing ass'y 4. Glass Shade 5. Metal Light Cover
(for optional use) | <ol style="list-style-type: none"> 6. Receiver with 6 Wire Nuts 7. Hand Held Remote with 2 Screws 8. Balancing Kit 9. Blade Remove Kit |
|---|--|



A. Mounting Hardware:

- Machine Screws (2)
- Flat Washers (2)
- Wood Screws (4)
- Lock Washers (4)
- Wire Nuts (3)
- Washers (6)

WARNING

TO REDUCE THE RISK OF FIRE, ELECTRIC SHOCK, OR OTHER PERSONAL

3. INSTALLING THE MOUNTING BRACKET

REMEMBER To turn off the power. Follow the steps below to hang your fan properly.

Step 1. Attach the mounting bracket to the outlet box with two screws and washers provided. Make sure the bracket is tight and secured. (Fig. 1)

Step 2. Lift fan into position by hanging the motor assembly onto the hook of the ceiling mounting bracket allowing it to hang freely. (Fig. 1)

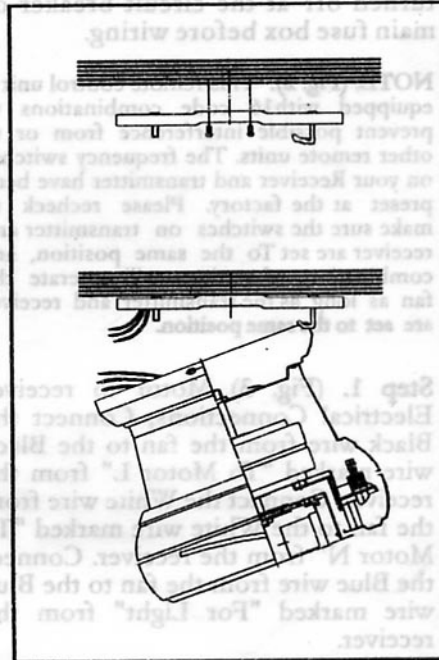
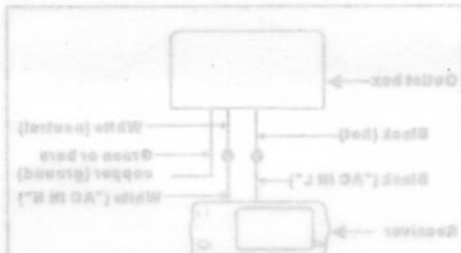


FIG. 1



4. ELECTRICAL CONNECTIONS

WARNING: To avoid possible electrical shock, be sure electricity is turned off at the circuit breaker or main fuse box before wiring.

NOTE: (Fig. 2). This remote control unit is equipped with 16 code combinations to prevent possible interference from or to other remote units. The frequency switches on your Receiver and transmitter have been preset at the factory. Please recheck to make sure the switches on transmitter and receiver are set to the same position, any combination of settings will operate the fan as long as the transmitter and receiver are set to the same position.

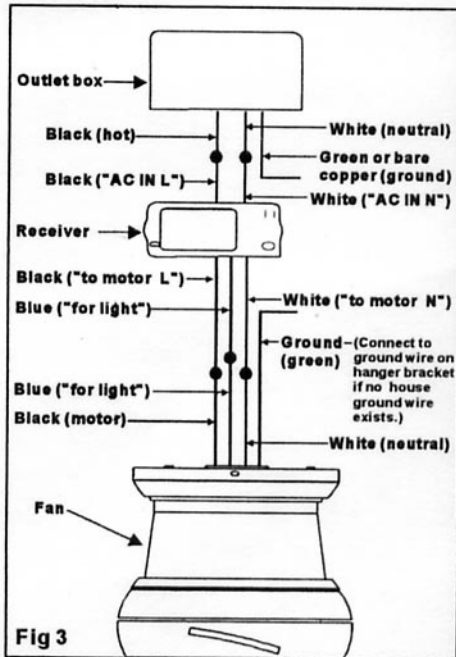
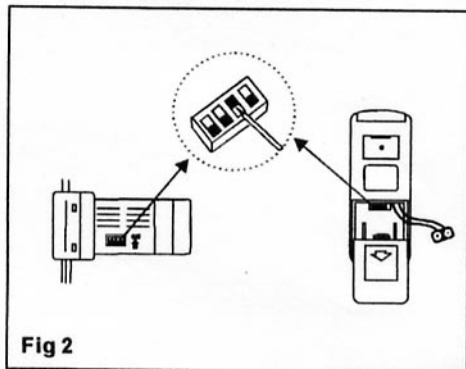
Step 1. (Fig. 3) Motor to receiver Electrical Connections; Connect the Black wire from the fan to the Black wire marked "To Motor L" from the receiver. Connect the White wire from the fan to the White wire marked "To Motor N" from the receiver. Connect the Blue wire from the fan to the Blue wire marked "For Light" from the receiver.

Step 2. (Fig. 3) Receiver to house supply wires Electrical Connections; Connect the Black (Hot) wire from the outlet box to the Black wire marked "AC in L" from the receiver. Connect the White (neutral) wire from the outlet box to the white wire

marked "AC in N" from the receiver. Secure all wire connections with the plastic wire nuts provided.

Step 3. (Fig 3) If your outlet box has a ground wire (green or bare copper) connect the fan ground wire from hanger plate to it; otherwise connect the fan ground wire directly to one of the screws from the outlet box.

Step 4. After the splices are made, secure connectors with electrical tape. Spread the wires apart so that the green and white wires are on one side of the outlet box and the black wires are on the other. Make sure there are no loose strands or connections. Turn wire connectors upward and be sure to place the receiver onto the top motor housing using the self-adhesive which is already on receiver.



5. FINISHING THE INSTALLATION

Step 1. (Fig. 4.) Move fan into position over the mounting bracket. Align the holes from the motor housing to the four screws on the mounting bracket. Lower the motor housing assembly. Loosen the two screws that line up to the key holes and remove the other two screws.

Step 2. (Fig. 4) Bring the motor housing assembly back up and engage the motor housing assembly to the two screws previously loosened via the key holes.

Step 3. (Fig. 4) Install the two screws previously removed and securely tighten all four screws.

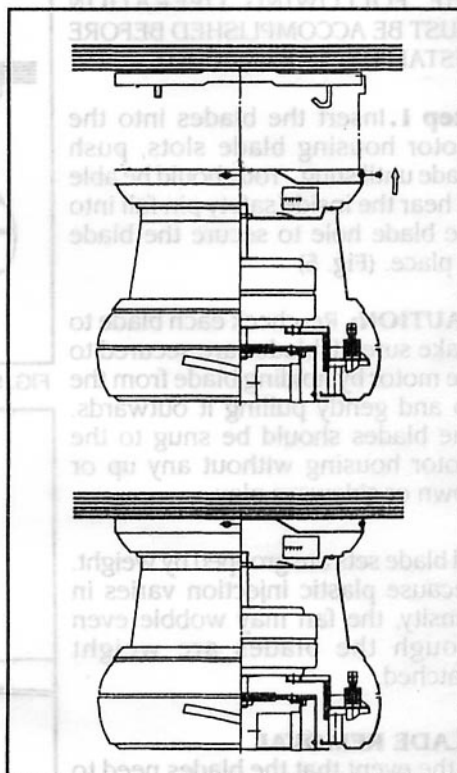


FIG. 4

BLADE INSTALLATION 6.

THE FOLLOWING OPERATION MUST BE ACCOMPLISHED BEFORE INSTALLING THE LIGHT KIT.

Step 1. Insert the blades into the motor housing blade slots, push blade until snug. You should be able to hear the inside safety pin fall into the blade hole to secure the blade in place. (Fig. 5)

CAUTION: Re-check each blade to make sure all blades are secured to the motor by holding blade from the tip and gently pulling it outwards. The blades should be snug to the motor housing without any up or down or sideways play.

All blade sets are grouped by weight. Because plastic injection varies in density, the fan may wobble even though the blades are weight matched.

BLADE REMOVAL

In the event that the blades need to be removed, use the blade removal tool include with your fan. Remove the blades by pulling the safety pin via the opening above the blade in the motor housing as shown. (Fig. 6)

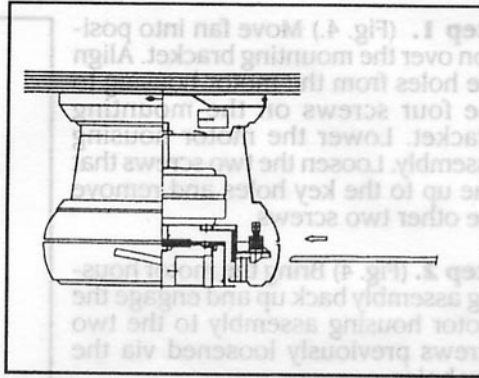


FIG. 5

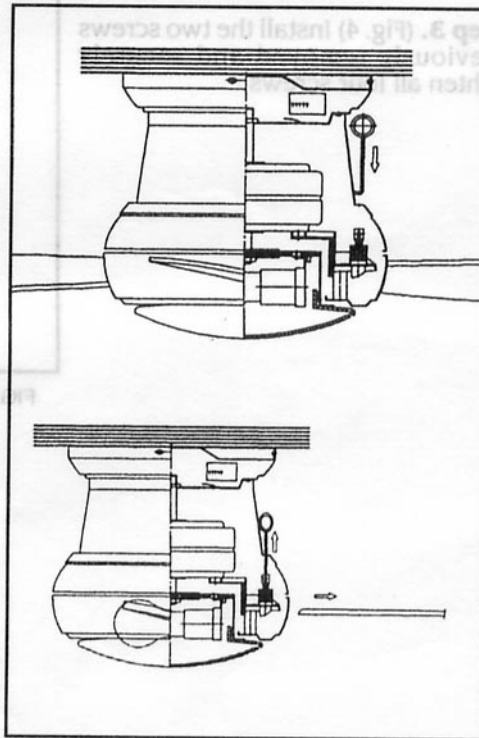


FIG. 6

7. INSTALLING THE LIGHT BULB & GLASS SHADE

REMEMBER: To disconnect the power. The fan blades must be already attached to the fan.

TO REDUCE THE RISK OF FIRE DO NOT EXCEED MAXIMUM WATTAGE RATING.

Step 1. Install 1-100W medium base bulb. (Bulb not Included) (Fig. 7)

Step 2. Raise glass shade up against bottom of fan housing and secure it to the fan by twisting glass clockwise until snug. DO NOT OVERTIGHTEN. (Fig. 7)

NOTE: The metal light cover included with your fan is an option to replace the glass for the light in the event that you prefer not to use the light feature of your fan. The metal light cover is not necessary for the light operation; it can be saved for later use if desired.

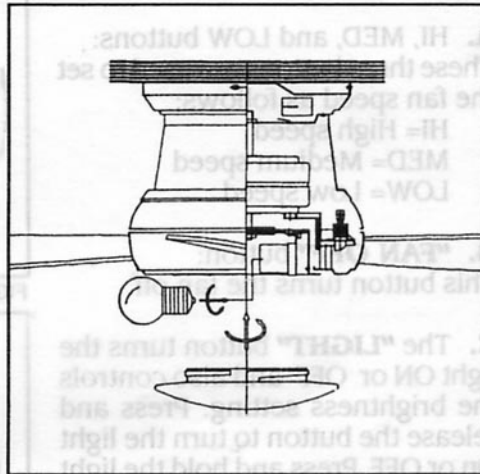


FIG. 7

OPERATING THE REMOTE CONTROL 8.

Restore power to ceiling fan and test for proper operation.

A. HI, MED, and LOW buttons:

These three buttons are used to set the fan speed as follows:

- HI= High speed
- MED= Medium speed
- LOW= Low speed

B. "FAN OFF" button:

This button turns the fan off.

C. The "LIGHT" button turns the light ON or OFF and also controls the brightness setting. Press and release the button to turn the light On or OFF. Press and hold the light button to set the desire brightness. The light will cycle continuously between bright and dim settings as long as the button is held down. The light key has an auto-resume, it will stay at the same brightness as the last time it was turned off.

D. The "REV" button is used to set the direction of the fan blades direction.

Speed settings for warm or cold weather depend on factors such as room size, ceiling height and number of fans, etc.

NOTE: Wait for the fan to stop before changing the setting of the "REV" button.

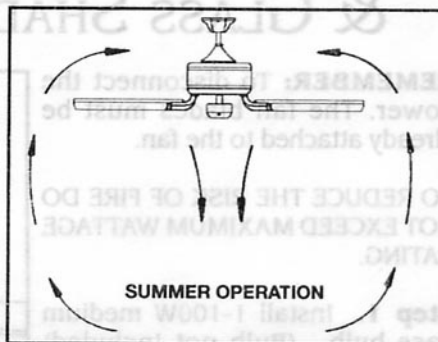


FIG. 8

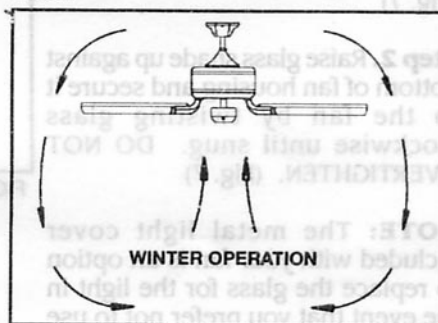


FIG. 9

Warm weather –(Forward) A downward airflow creates a cooling effect as shown in Figure 8. This allows you to set your air conditioner on a warmer setting without affecting your comfort.

Cool weather –(Reverse) An upward airflow moves warmer air off the ceiling area as shown in Figure 9. This allows you to set your heating unit on a cooler setting without affecting your comfort.

9. CARE OF YOUR FAN

Installing the battery:

Install 9 volt battery (not included), to prevent damage to transmitter, remove the battery if not used for long periods.

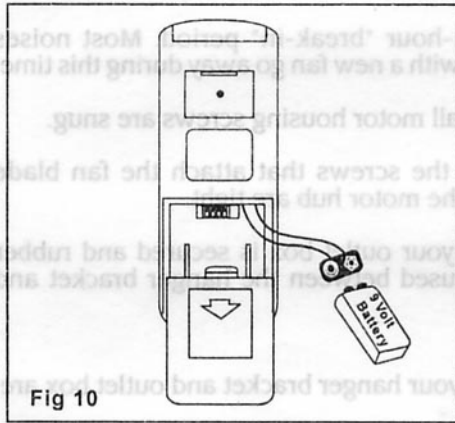


Fig 10

Here are some suggestions to help you maintain your fan.

1. Because of the fan's natural movement, some connections may become loose. Check the support connections, brackets, and blade attachments twice a year. Make sure they are secure. (It is not necessary to remove fan from ceiling.)

2. Clean your fan periodically to help maintain its new appearance over the years. Do not use water when cleaning. This could damage the motor, or the wood, or possibly cause an electrical shock.

3. Use only a soft brush or lint-free cloth to avoid scratching the finish. The plating is sealed with a lacquer to minimize discoloration or tarnishing.

4. You can apply a light coat of furniture polish to the wood for additional protection and enhanced beauty. Cover small scratches with a light application of shoe polish.

5. **There is no need to oil your fan.** The motor has permanently lubricated bearings.

6. All glass should be cleaned using lukewarm soapy water and a soft cloth or sponge.

DO NOT IMMERSE GLASS IN HOT WATER. DO NOT PUT GLASS INTO AN AUTOMATIC DISHWASHER

WARNING

Make sure the power is off at the electrical panel box Before you attempt any repairs. Refer to the section, "Making Electrical Connections".

TROUBLESHOOTING 10.

Problem

Solution

Fan will not start.

1. Check fuses or circuit breakers.
2. Check line wire connections to fan
CAUTION: Make sure main power is off.
3. Check to make sure the dip switches are set to the same frequency on receiver and remote control.

Fan sounds noisy.

1. Allow a 24-hour "break-in" period. Most noises associated with a new fan go away during this time.
2. Make sure all motor housing screws are snug.
3. Make sure the screws that attach the fan blade bracket to the motor hub are tight.
4. Make sure your outlet box is secured and rubber pads were used between the hanger bracket and outlet box.

Fan Wobble

1. Make sure your hanger bracket and outlet box are secure.
2. Use the enclosed blade balancing kit if blade wobble is still excessive. (See instructions included with the balancing kit.)

NOTE: All blade sets are grouped by weight. Because plastic injection varies in density, the fan may wobble even though blades are weight matched.

11. SPECIFICATIONS

Fan Size	Speed	Volts	Amps	Watts	RPM	CFM	N.W.	G.W.	CU.
44"	High	120	0.37	40	184	4600	10.56 kgs	12.5 kgs	2.4'
	Med	120	0.33	23	136	3000			
	Low	120	0.26	11	86	1050			

Fan Size	Speed	Volts	Amps	Watts	RPM	CFM	N.W.	G.W.	CU.
52"	High	120	0.5	59	179	6300	11.85 kgs	14 kgs	2.4'
	Med	120	0.48	38	138	3450			
	Low	120	0.32	12	70	2400			

These are typical readings . Your actual fan may vary. They do not include amps and wattage used by the light kit.

For any additional information about your Minka-Aire™ Ceiling Fan, please write to:



1151 W. Bradford Court
Corona, CA 92882

For customer assistance call: 1-800-307-3267