

BE SURE TO FOLLOW ALL STEPS IN THE ORDER GIVEN.

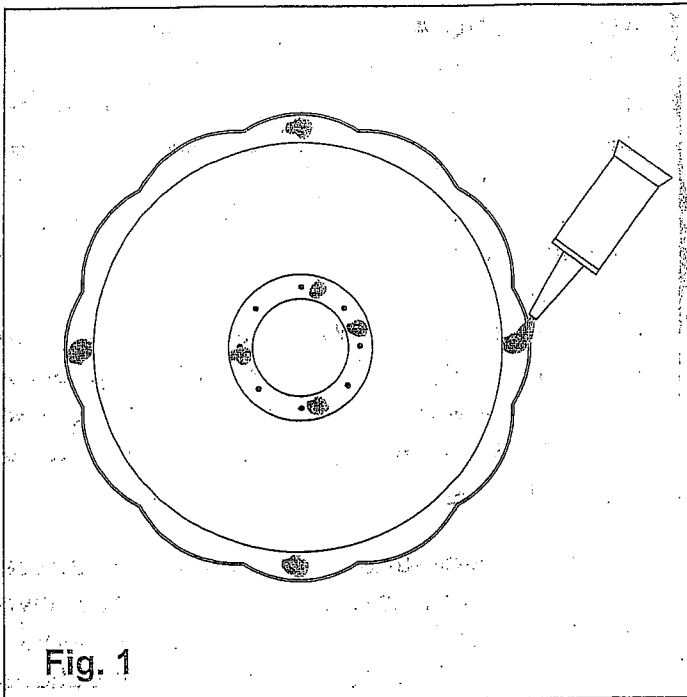


Fig. 1

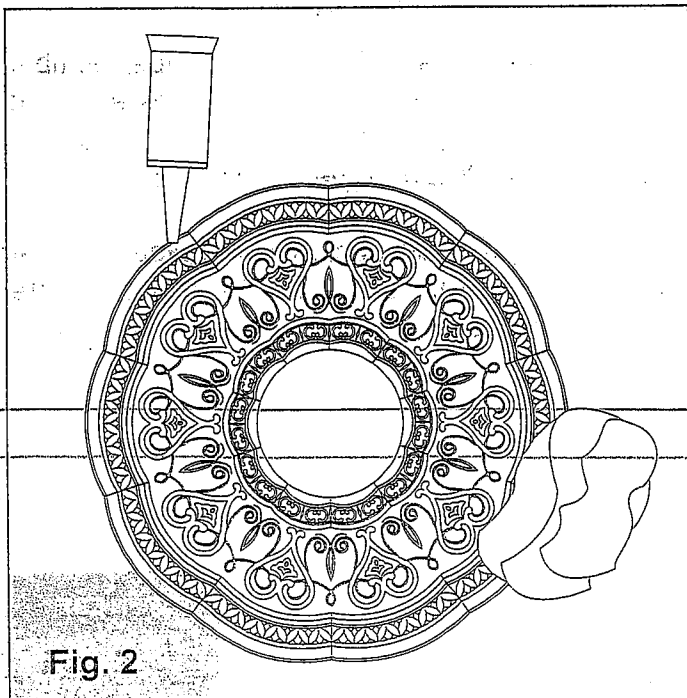


Fig. 2

WARNING: To avoid the risk of fire, all light bulbs or any heat generating sources should be at least six inches from this medallion. Failure to follow these warnings could result in damage to personal property, serious injury.

1. Apply polyurethane adhesive on the back side of the medallion including the edge and metal areas. (polyurethane adhesive not included) (Fig. 1).
2. If required, standard or trim head screws can be used to secure medallion until adhesive sets. Screw heads should be recessed. (Screws not included)
3. For a seamless appearance caulking may be applied to the outer edge of medallion. Excess caulk can be removed with a damp cloth. (Fig. 2)
4. Follow the instruction manual included with your ceiling fan for the ceiling fan installation.