

Mojo

BY

minkaAire®
A Minka Group® Co.

INSTRUCTION MANUAL WARRANTY CERTIFICATE

©2019 Minka Lighting Inc. Manual design and all elements of manual design are protected by United States Federal and/or State Law including Patent, Trademark and/or Copyright Laws.



The Minka-Aire® warranty is for one (1) year from the date of purchase from an authorized Minka-Aire® dealer. This warranty is only valid to the original purchaser or user against all defects in material and workmanship (light bulbs excluded) for one (1) full year. Additionally, Minka-Aire® warrants the motor only for the lifetime of the Minka Aire ceiling fan (excluding wall controls and electrical components), to the original purchaser or user.

- * The warranty is voided with the use of any non- Minka-Aire® electrical devices, e.g., wall controls or electrical dimmer switches, etc...
- * The warranty is void once the original purchaser or user ceases to own the fan or the fan is moved from its original point of installation.
- * The warranty is void with the use of any hanger bracket (non-Minka Aire or non-fan specific) other than the hanger bracket supplied & installed with this specific fan.

Warranty Service Information

To obtain warranty service during the warranty period, the purchaser should return the fan with the sales receipt to the original place of purchase. The authorized Minka-Aire® dealer, at its sole discretion, will either repair or replace the fan after verifying the legitimacy of the warranty claim. Replacement is subject to availability of the same model. If the model is unavailable it will be replaced by one of equal value. This is a limited warranty; the original purchaser or user is responsible for the cost of removal and reinstallation of repaired or replacement product.

To obtain the name of the Minka-Aire® authorized dealer nearest you call the Minka-Aire® customer care department at 1-800-307-3267, or contact Minka-Aire® through www.minkagroup.net and select FAQ to answer any questions or if you require additional assistance submit the question form found there.

Date Purchased _____ Store Purchased _____ Model Number F522L Serial Number _____

CONTENTS

SAFETY RULES	1	INSTALLING THE LIGHT KIT ASSEMBLY	8
PACKAGE CONTENTS	2	INSTALLING THE GLASS SHADE & LIGHT BULB	9
INSTALLING THE FAN	3	FAN WITHOUT LIGHT KIT	10
HANGING THE FAN	4	OPERATING YOUR FAN	11
ELECTRICAL CONNECTIONS	5	CARE OF YOUR FAN	12
FINISHING THE INSTALLATION	6	TROUBLESHOOTING	13
BLADE INSTALLATION	7	SPECIFICATIONS	14



1151 W. Bradford Court, Corona, CA 92882 • For Customer Assistance Call: 1-800-307-3267



1

SAFETY RULES

1. Before you begin installing the fan, shut power off the circuit breaker of the fuse box.
2. Be cautious! Read all instructions and safety information before installing your new fan. Review accompanying assembly diagrams.
3. Make sure that all electrical connections comply with local codes, ordinance, or National Electrical Codes, ANSI/NFPA 70. Hire a qualified electrician or consult a do-it-your self wiring handbook if you are unfamiliar with installing electrical wiring.
4. Make sure the installation site you choose allows the fan blades to rotate without any obstructions. Allow a minimum clearance of 7 feet from the floor and 18 inches from the top of the blades to the wall.
5. If you are mounting the fan to a ceiling fan outlet box, use a U.L Listed metal octagonal outlet box marked "Acceptable For Fan Support". Secure the box directly to the building structure. The outlet box and its support must be able to support the moving weight of the fan (at least 50 pounds). Do not use a plastic box.
6. Caution: To reduce the risk of injury use only the screws provided with the outlet box in conjunction with the lock washers provided with the fan.
7. If you are mounting the fan to a joist, make sure it is able to support the moving weight of the fan (at least 50 pounds).
8. After you install the fan, make sure that all mounting components are secured to prevent the fan from falling.
9. Do not insert anything into the fan blades while the fan is operating.
10. To operate the reverse function on this fan, press the reverse button while the fan isn't running.

NOTE: The important safeguards and instructions appearing in this manual are not meant to cover all possible conditions and situations that may occur. It must be understood that common sense, caution and care are factors which can not be built into this product. These factors must be supplied by the person(s) installing, caring for and operating the unit.

NOTE: READ AND SAVE ALL INSTRUCTIONS!

WARNING

TO REDUCE THE RISK OF FIRE, ELECTRIC SHOCK OR OTHER PERSONAL INJURY, MOUNT FAN ONLY TO A U.L LISTED OUTLET BOX OR SUPPORTING SYSTEM MARKED ACCEPTABLE FOR FAN SUPPORT AND USE MOUNTING SCREWS PROVIDED WITH THE OUTLET BOX IN CONJUNCTION WITH THE LOCK WASHERS PROVIDED WITH THE FAN. MOST OUTLET BOXS COMMONLY USED FOR FAN SUPPORT OF LIGHTING FIXTURES ARE NOT ACCEPTABLE FOR FAN SUPPORT AND NEED TO BE REPLACED. CONSULT A QUALIFIED ELECTRICIAN IF IN DOUBT.

TO REDUCE THE RISK OF PERSONAL INJURY, DO NOT BEND THE BLADE HOLDERS WHILE INSTALLING, BALANCING THE BLADES OR CLEANING THE FAN. DO NOT INSERT FOREIGN OBJECTS BETWEEN ROTATING FAN BLADES.

TO REDUCE THE RISK OF FIRE OR ELECTRIC SHOCK, DO NOT USE THIS FAN WITH ANY SOLID-STATE SPEED CONTROL DEVICE .

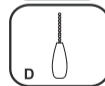
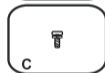
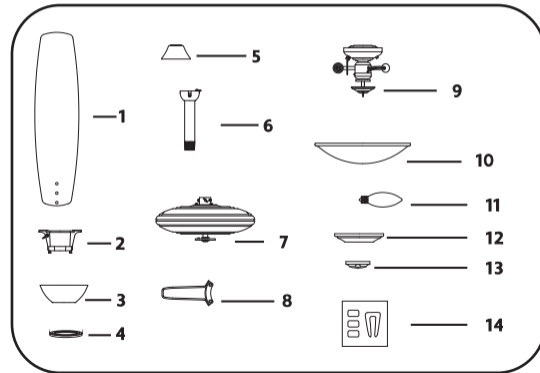
2

PACKAGE CONTENTS

Unpack your fan and check the contents. You should have the following items:

1. Fan blades(5)
2. Hanger bracket
3. Canopy
4. Canopy cover
5. Coupling cover
6. Standard downrod assembly(6")
7. Fan motor/housing assembly
8. Blade holders (5)
9. Light kit assembly
10. Glass shade
11. **4W E12 LED bulbs (3)**
12. Extra cap
13. Extra finial
14. Balancing kit

- A. Mounting hardware:
Wire nuts(3)
#8x3/4" Machine screws (2)
#10x1.5 Wood screws (2)
4mm Star washers (2)
Metal washers (2)
Lock washers (2)
- B. Blade attachment hardware:
3/16"x8mm Screws(16)
Fiber washers (16)
- C. Blade holder attachment hardware:
1/4"x12.7mm screws with lock washers(11)
- D. Pull chain fobs (2)
- E. Plastic plug (1)



INSTALLING THE FAN

Tools Required: Philips screw driver, slotted screw driver, step-ladder, wire cutters, electrical tape.

MOUNTING OPTIONS

If there isn't an existing mounting box, then read the following instructions. Disconnect the power by removing fuses or turning off circuit breakers.

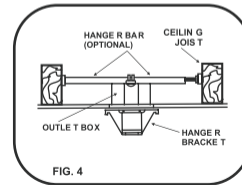
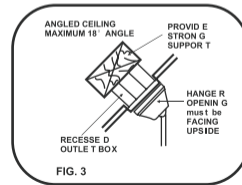
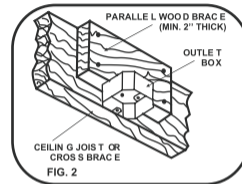
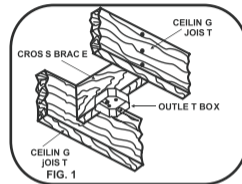
Secure the outlet box directly to the building structure. Use appropriate fasteners and building materials. The outlet box and its support must be able to fully support the moving weight of the fan (at least 50 lbs.). Use a UL listed metal outlet box.

Do not use a plastic outlet box.

Figure 1, 2 and 3 are examples of different ways to mount the outlet box.

Note: You may need a longer downrod to maintain proper blade clearance when installing on a steep, sloped ceiling. Longer downrods are available from your Minka-Aire® dealer.

To hang your fan where there is an existing fixture but no ceiling joist, you may need to install a hanger bar as shown in Fig. 4 (available at your Minka Aire® dealer or local hardware store)



4

HANGING THE FAN

WARNING: All of the parts, hardware and components such as the hanger bracket and hanger ball have been provided for your safety and the proper installation of your new ceiling fan. The use of other parts, hardware or components not supplied by Minka Aire® with the fan will void the Minka Aire® Warranty.

REMEMBER to turn off the power. Follow the steps below to hang your fan properly:

Step 1. Secure the hanger bracket to the ceiling outlet box using screws and washers included with mounting hardware.(Fig.5)

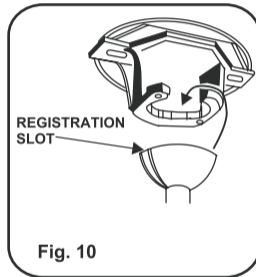
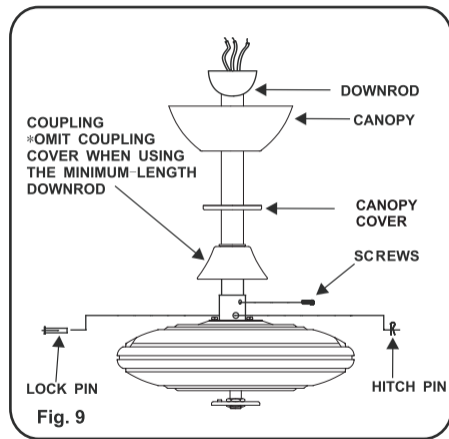
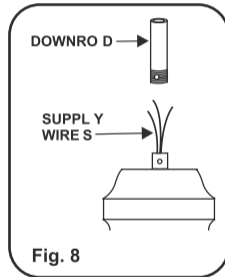
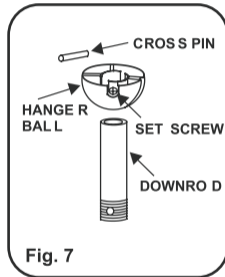
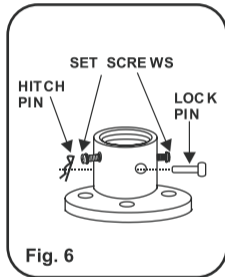
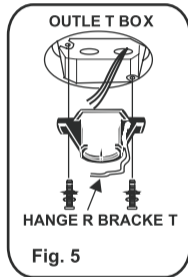
Step 2. Loosen the two set screws and remove the hitch pin and lock pin from the top coupling of the motor assembly.(Fig 6)

Step 3. Remove hanger ball from downrod assembly by loosening set screw, removing the cross pin, and sliding ball off rod.(Fig 7)

Step 4. Carefully feed fan wires up through the downrod(Fig 8). Thread the rod into the coupling, next line up holes and replace lock pin and hitch pin. Tighten set screws.

Step 5. Slip coupling cover, canopy cover, and canopy onto downrod (Fig.9). Carefully reinstall hanger ball onto rod being sure that cross pin is in the correct position, set screws are tighten and wires are not twisted.

Step 6. Now lift motor assembly into position and place hanger ball into hanger bracket. Rotate until the check groove has dropped into the registration slot and seats firmly.(Fig 10) Rod should not rotate if this is done correctly.



5

ELECTRICAL CONNECTIONS

REMEMBER to shut the power off at the circuit breaker or fuse box.

Follow the steps below to connect the fan to your house supply wires. Use the wire nuts supplied with your fan. Secure the wire nuts by wrapping the connection with electrical tape.

Step 1. Connect the black (hot) wire from the ceiling to the black and the blue wires from the fan. Connect the white (Neutral) wire from the ceiling to the white wire from the fan. (Fig 11)

Step 2. If your outlet has a ground wire (Green or Bare Copper) connect the fan ground wires ((from hanger ball and hanger bracket) to it; otherwise connect the fan ground wire wires from the hanger ball and hanger bracket together. (Fig. 11)

Step 3. Figure 12 & 13 Illustrate the wiring connections using optional wall unit. (Available at your Minka-Aire® Retailer.)

NOTE: If a light kit is not included with your fan, one can be purchased at your Minka-Aire® Retailer.

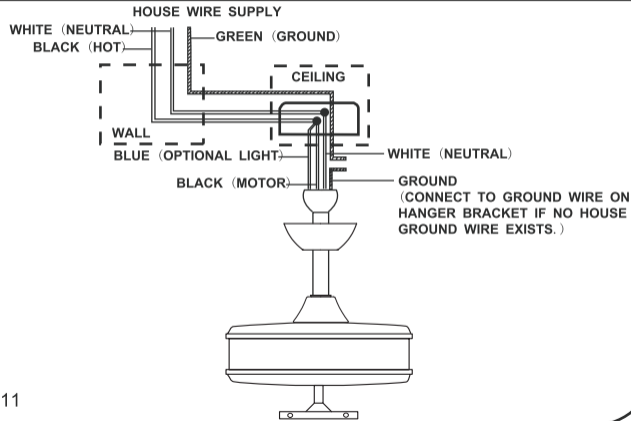
FAN CONTROLLED BY PULL CHAIN, LIGHT KIT CONTROLLED BY PULL CHAIN.

Fig. 11

FAN CONTROLLED BY PULL CHAIN, LIGHT KIT CONTROLLED BY WALL SWITCH.

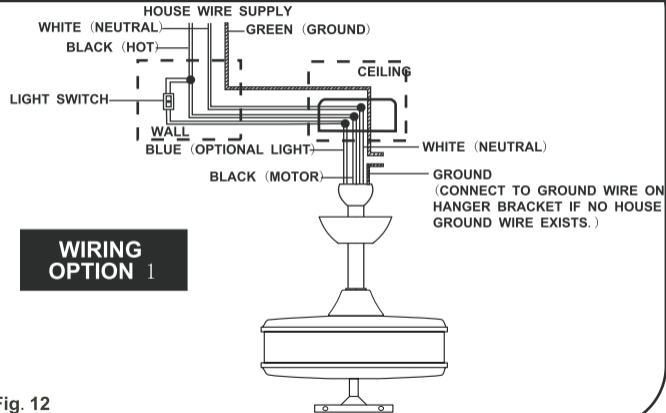


Fig. 12

FAN CONTROLLED BY WALL CONTROL, LIGHT KIT CONTROLLED BY LIGHT SWITCH.

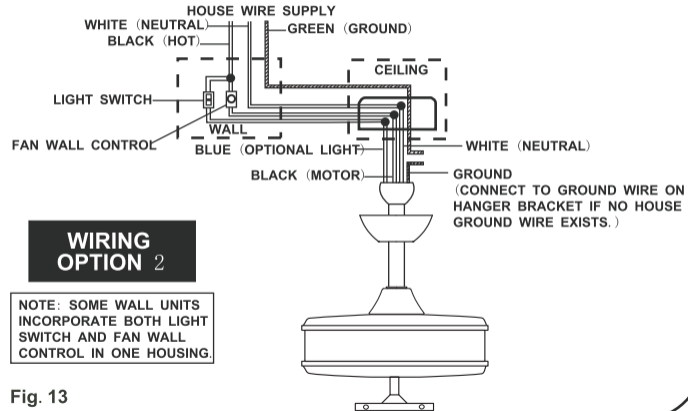


Fig. 13

6

FINISHING THE INSTALLATION

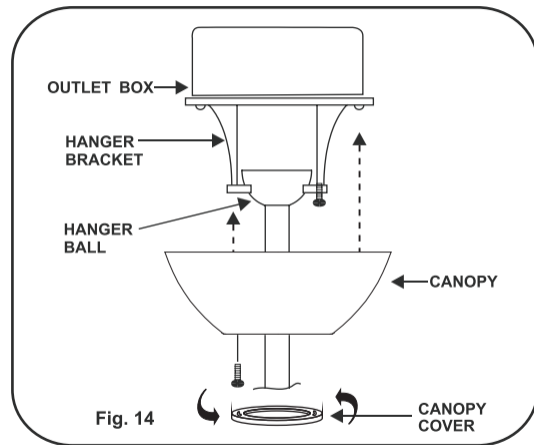
Step 1. Tuck connections neatly into ceiling outlet box.

Step 2. Remove one screw from the hanger bracket and loosen the other screw around 1/4."

Step 3. Align the canopy up to ceiling and over the loose screw. Place the canopy into key hole and rotate canopy clockwise. (Figure 14)

Step 4. Secure the canopy by use previous removed screw.

Step 5. Place the canopy cover to the canopy and rotate canopy cover clockwise until it is locked into right position. (Figure 14)

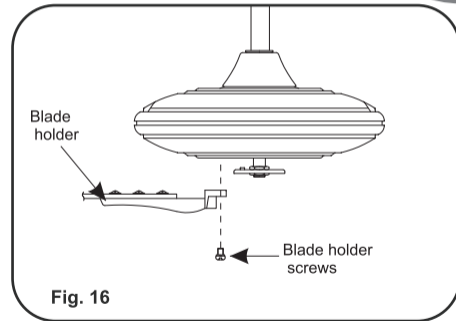
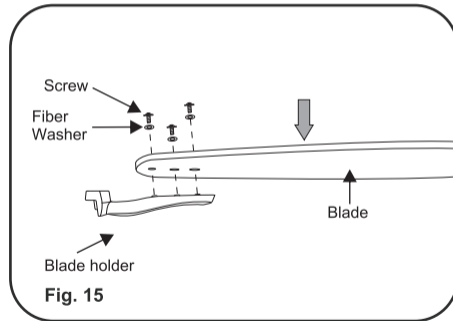


BLADE INSTALLATION

THE FOLLOWING OPERATION MUST BE ACCOMPLISHED BEFORE INSTALLING THE SWITCH CUP.

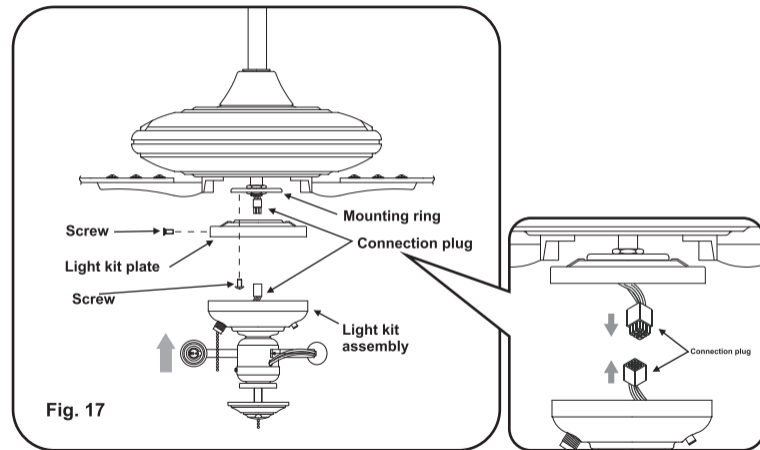
Step 1. Attach the fan blade to the blade holder using the screws and fiber washers provided. Tighten screws securely. Repeat process for remaining blades.(Fig.15)

Step 2. Remove the rubber stops from motor. Rotate the motor so that the screw holes in motor are aligned with the holes in blade holder and secure with proper screws. Repeat process for the other blade holders.(Fig. 16)



INSTALLING THE LIGHT KIT ASSEMBLY

- Step1. Remove the light kit plate from the light kit assembly by removing three screws from the rim of the light kit plate and reserve the screws.
- Step2. Remove 1 of 3 screws from the mounting ring and loosen the other 2 screws. (Do not remove.) (Fig.17)
- Step3. Place the key holes from the light kit plate over the 2 screws previously loosened from the mounting ring, turn light kit plate until it locks in place at the narrow section of the key holes. Secure by tightening the 2 screws previously loosened and the one previously removed. (Fig.17)
- Step4. While holding the light kit assembly under your fan, firmly snap the wire connection plugs together. (Fig.17)
- Step5. Align the holes in the light kit assembly with the holes in the light kit plate. Tighten the three screws removed in step1. (Fig. 17)



INSTALLING THE GLASS SHADE & LIGHT BULB

WARNING: Shut of the power supply before removing or replacing lamp. If you accidentally come into contact, wipe thoroughly with a clean, lint-free, cotton cloth. Use light bulb in accordance with the fan's specification. **TO REDUCE THE RISK OF FIRE DO NOT EXCEED MAXIMUM WATTAGE RATING.**

Step1. Install **3*4W E12 LED** bulbs (included) into socket.(Fig.18)

Step2. Remove the rubber washer, metal nut, metal cup and finial from the light kit assembly. Place glass shade over the light kit stem, secure with the rubber washer, metal nut, metal cap and finial. Do not over tighten.(Fig.18)

Step3. Attach the pull chain fob to the chain on the light kit assembly.

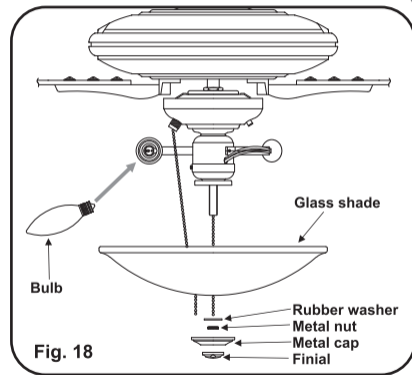
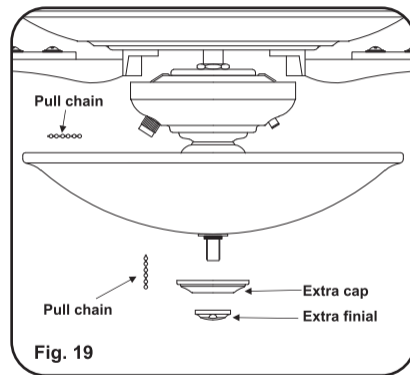


Fig. 18

Remarked: the fan is provided extra cap and finial, which can be used when the fan is installed with univeral remote control(Not Provided)

- a) Before install the univeral remote control(Not Provided), please make sure the fan speed pull chain control is set to "high speed"and the light pull chain control is set to " on" status.
- b)Cut off the unnecessary length of pull chain.
- c) Remove the original cap and finial with hole and replace the extra cap and finial without hole.



FAN WITHOUT LIGHT KIT

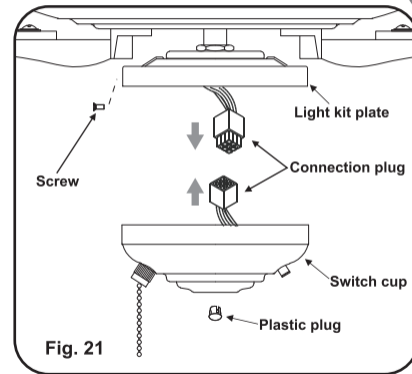
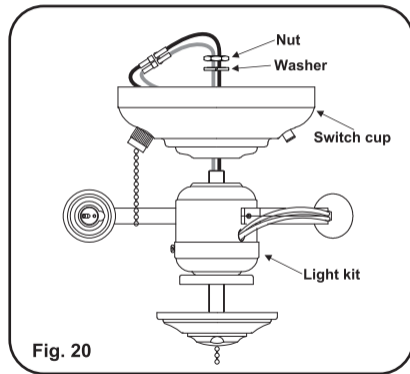
10

Step 1. Disassemble the switch cup from the light kit. You can keep the light kit for future use. (Fig 20)

Step 2. Attach the plastic plug to the switch cup. (Fig 21)

Step 3. Holding the switch cup under your fan, snap together the wire connection plugs. (Fig 21)

Step 4. Install the switch cup to the light kit plate with the screws previously removed. (Fig 21)



OPERATING YOUR FAN

Restore power to ceiling fan and test for proper operation.

Speed settings for warm or cool weather depend on factors such as the room size, ceiling height, number of fans, etc.

The Reverse switch is located on the switch cup. Slide the switch to the Left for warm weather operation. Slide the switch to the Right for cool weather operation.

NOTE: Wait for fan to stop before changing the setting of the slide switch.

Warm weather - (Forward)

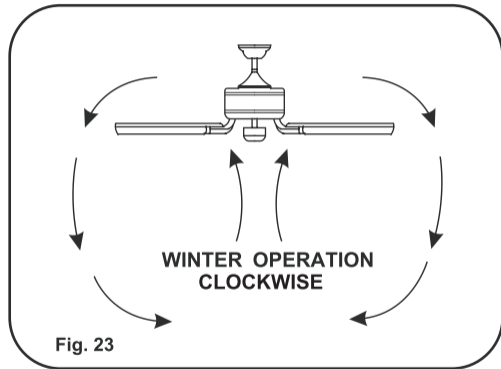
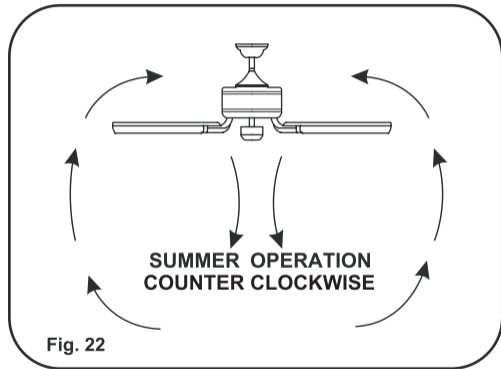
A downward airflow creates a cooling effect as shown in Fig. 22. This allows you to set your air conditioner on a warmer setting without affecting your comfort.

Cool weather - (Reverse)

An upward airflow moves warm air off the ceiling area as shown in Fig. 23. This allows you to set your heating unit on a cooler setting without affecting your comfort.

The fan pull chain controls the fan speed as follows: 1st pull - High, 2nd pull - Med, 3rd pull - Low and 4th pull - Off.

The light kit pull chain controls the light kit in "ON" or "OFF".



CARE OF YOUR FAN

Here are some suggestions to help maintain your fan.

1. Because of the fan's natural movement some connections may become loose. Check the support connections, brackets and blade attachment twice a year. Make sure they are secure. (It is not necessary to remove fan from the ceiling).

2. Clean your fan periodically to help maintain its new appearance over the years. Use only a soft brush or lint free cloth to avoid scratching the finish. Plated finishes are sealed with lacquer to minimize discoloration or tarnishing.

Do not use water when cleaning, this could damage the motor, wood blades or possibly cause an electrical shock.

3. Use a lint free lightly damp cloth or duster to remove dust from the blades.

4. There is no need to oil your fan. The motor has permanently lubricated bearings.

5. If your fan is provided with glass shades, clean with lukewarm soapy water and a soft cloth or sponge. **DO NOT IMMERSE GLASS SHADES IN HOT WATER. DO NOT PUT GLASS SHADES INTO AN AUTOMATIC DISHWASHER.**

WARNING

MAKE SURE THE POWER IS OFF AT THE ELECTRICAL PANEL BOX BEFORE YOU ATTEMPT ANY REPAIRS. REFER TO THE SECTION "ELECTRICAL CONNECTIONS".

SYMPTOM

Fan will not start

SOLUTION

- Check to make sure the wall switch is turned on.
- Check circuit fuses or breakers.
- Caution! Make sure the power is turned off before performing the following steps.

SYMPTOM

Fan Sounds Noisy

SOLUTION

- Allow a 24 - hour "break in" period. Most noises associated with a new fan will go away during this time.
- Make sure the screws that attach the fan blade holder to the motor hub is tight.
- Make sure outlet box is secured to building structure, if necessary use the wood screws provided to further secure outlet box to joist.
- Make sure hanger bracket is secure to the outlet box, screws are tight.

SYMPTOM

Fan Wobble

SOLUTION

- NOTE:All blade sets are grouped by weight. Because wood and plastic blades vary in density, the fan may wobble even though blades are matched.
- Make sure outlet box is secured to building structure, if necessary use the wood screws provided to further secure outlet box to joist.
- Make sure hanger bracket is secure to the outlet box, screws are tight.
- If a Balancing kit is provided follow the instructions included with the balancing kit to help correct any excessive wobble.

SPECIFICATIONS

These are typical readings. Your actual fan may vary. They do not include amps and wattage used by the light (s).

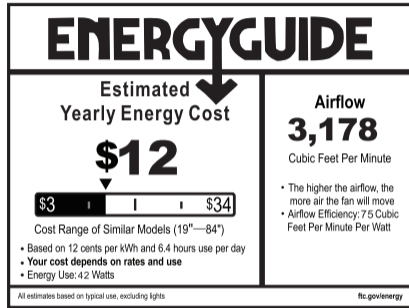
For any additional information about your Minka Aire® Ceiling fan, please write to:

Fan Size	Speed	Volts	Amps	Watts	RPM	N.W.	G.W.	C.F.
52"	Low	120	0.28	14.2	85	7.93 kgs	9.35 kgs	1.96'
	High	120	0.54	64.86	182			



1151 W. Bradford Court, Corona, CA 92882 • For Customer Assistance Call: 1-800-307-3267

PERFORMANCE AND ENERGY INFORMATION



FAN SPEED	AIRFLOW (CFM)*	POWER USE (watts)	AIRFLOW EFFICIENCY (CFM/watt)
Low	2055	14.2	144
High	4168	64.86	64

Ceiling fan airflow is measured in cubic feet per minute (CFM). Power use is measured in watts. To maximize energy savings:

- Choose a fan with high airflow efficiency (CFM/watt).
- Use ENERGY STAR®-labeled lighting in your fan.
- Remember to switch off your fan when you leave the room.

* Measured according to the ENERGY STAR® approved Solid State test method

For any additional information about your Minka Aire® Ceiling fan, please write to:

minkaAire® 1151 W. Bradford Court, Corona, CA 92882
A Minka Group® Co.

- For Customer Assistance Call: 1-800-307-3267