

# INSTALLATION INSTRUCTIONS

For Model #867-PL

READ AND SAVE THESE INSTRUCTIONS

**WARNING! SHUT POWER OFF AT FUSE OR CIRCUIT BREAKER.**

**AVERTISSEMENT! COUPER LE COURANT AU NIVEAU DES FUSIBLES OU DU DISJONCTEUR.**

## NOTE

Turn off the main power at the circuit breaker before installing the fixture, in order to prevent possible shock.

## GENERAL

All electrical connections must be in accordance with local and national electrical code (N.E.C) standards. If you are unfamiliar with proper electrical wiring connections obtain the services of a qualified electrician.

Carefully unpack your new fixture and lay out all the parts in a clear area. Take care not to lose any small parts necessary for installation.

## ASSEMBLY AND INSTALLATION

1. Turn off the power.
2. Take the ACRYLIC LENS (7) out from the FIXTURE PAN (3) by turning the two CLIPS (2) outward.
3. Take the LAMP (6) out from the SOCKET (4).
4. Pull the supply wires and house ground wire out from the OUTLET BOX (1).
5. Thread one of the MOUNTING SCREWS (5) (Size: #8-32\*0.75"L) two full turns into the threaded hole on the OUTLET BOX (1).
6. Make the wiring connections: connect the house ground wire to the fixture ground wire; connect the white supply wire to the two white (or ribbed) fixture wire; connect black supply wire to the two black (or smooth) fixture wire using wire connectors. Carefully tuck all wires back into the OUTLET BOX (1). (See Fig.2)
7. Locate the FIXTURE PAN (3) over the OUTLET BOX (1), positioning the MOUNTING SCREWS (5) through the large opening of the keyhole slot and then twist to the narrow opening of the keyhole slot. Put the other Mounting Screw through the large opening of the Keyhole Slot on the fixture pan and thread into the outlet box. Then secure the FIXTURE PAN (3) to the outlet box by tightening the two MOUNTING SCREWS (5).
8. Now you are ready to install the LAMPS (6). Do not exceed recommended Maximum wattage shown on caution label. ( NE PAS DEPASSER LA PUISSANCE NOMINALE MAXIMALE)
9. Secure the ACRYLIC LENS (7) to the FIXTURE PAN (3) by turning the 2 CLIPS (2) inward.
10. The ballast and lamp are combined, to replace or install, twist pins into socket as shown on Fig 3.
11. The color correlated Temperature (CCT) for replacing the enclosed lamp is (2700K).

## INSTALLATION IS NOW COMPLETED

The ballast in each of these models can be replaced by a qualified electrician without cutting of wires and without damage to the housing, trim, decorative elements or carpentry to which the fixture is attached. See installation steps for more detail.

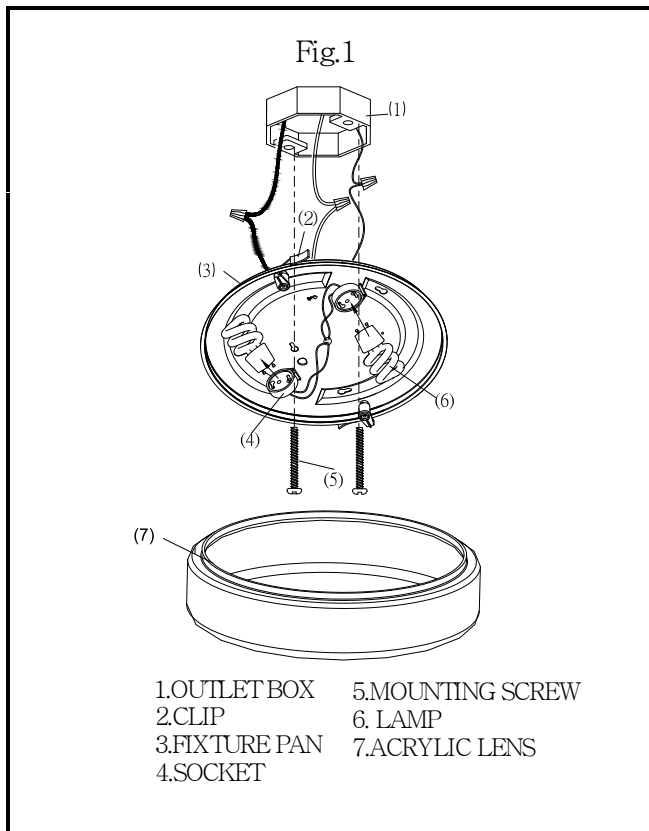
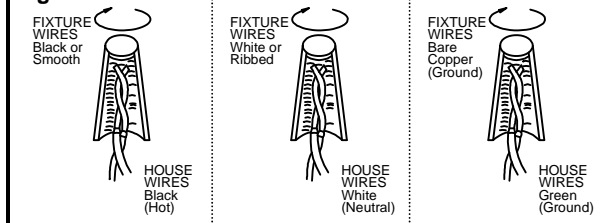


Fig. 2



## LIMITED 3 YEAR WARRANTY

This Fixture is covered by a Limited 3 year Warranty from the Manufacturer, effective from the date of purchase. This fixture is warranted against defects in the quality of the housing, trims, diffuser, shades, and electrical components. Fixture finishes and/or lamps (bulbs) are expressly excluded from this warranty; refer to bulb manufacturer for lamp warranty.

Contains Mercury (Hg) Dispose of according to Local, State and Federal Law. ([www.epa.gov/bulbrecycling](http://www.epa.gov/bulbrecycling))

