

# INSTALLATION INSTRUCTIONS FOR 344-PL

For Wall Mount Fixture

## READ AND SAVE THESE INSTRUCTIONS

**WARNING! SHUT POWER OFF AT FUSE OR CIRCUIT BREAKER BEFORE INSTALLATION.**

**AVERTISSEMENT! ! COUPER LE COURANT AUNIVEAU DES FUSIBLES OU DU DISJONCTEUR**

### MOUNTING THE FIXTURE (Fig.1)

1. Shut off the power at the circuit breaker box (avertissement! couper le courant au niveau des fusibles ou du disjoncteur) and remove the old fixture, including the mounting hardware..
2. Carefully unpack your new fixture and lay out all the parts on a clear area. Take care not to loose any small parts necessary for installation.
3. Attach the crossbar (A) (part#A-010) to the junction box with the two junction box screws (B) (size:8-32\*1/2"L) as shown. The side of the crossbar marked "GND" must face out.
4. Thread the nipple(C) part way into the center hole of the crossbar with the hex nut (E).
5. Connect the wires as described under "Connecting the Wires".

### CONNECTING THE WIRES (Fig.2)

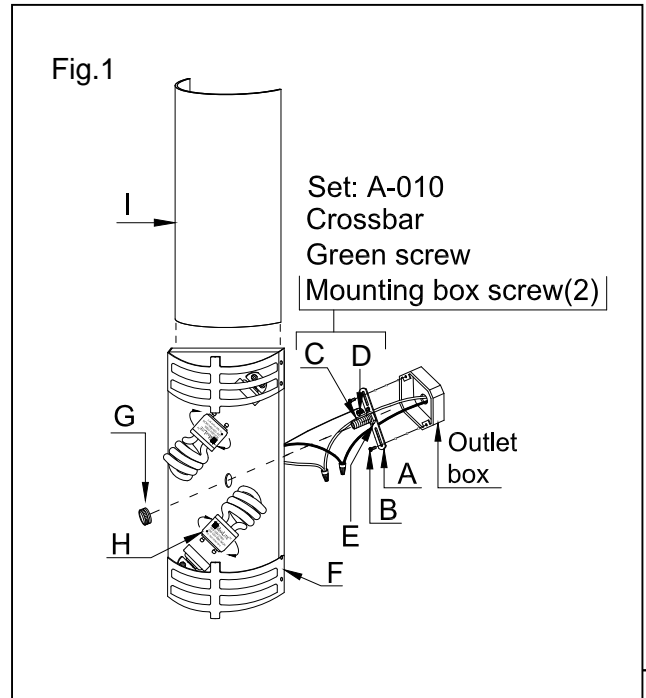
6. Connect the fixture wires to the junction box wires as shown in the Fig. 2. Make sure all wire connectors are secure and do not easily pull off with a slight tug. If there is no green ground wire from the junction box, connect the fixture ground wire to the crossbar with the green screw (D) provided. Note: Twist wires on the same direction, connect the wire connector onto wires.

### COMPLETING THE INSTALLATION (Fig.1)

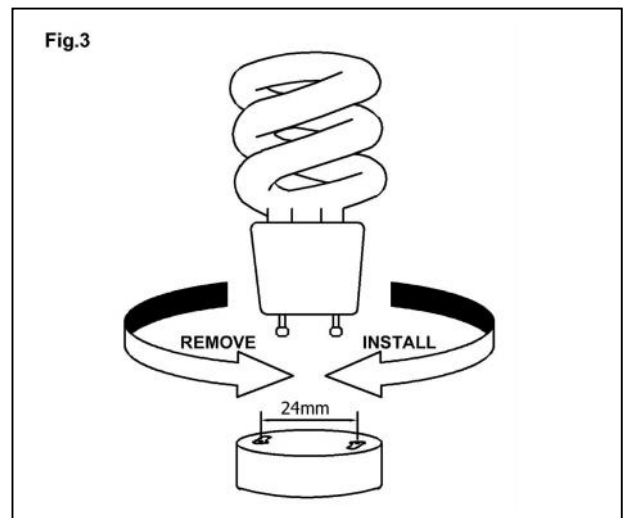
7. Place the fixture body (F) over the nipple(C) so the nipple protrudes through the center hole. Holding the fixture in place, thread the cap nut (G) onto the end of the nipple until fixture is secure to the wall.
8. Install the PL lamp (H) in accordance with the fixture's specification: **DO NOT EXCEED THE MAXIMUM WATTAGE RATING! (NE PAS DEPASSER LA PUISSANCE NOMINALE MAXIMALE!)**
9. The ballast in each of these models can be replaced by a qualified electrician without cutting of wires and without damage to the housing, trim, decorative elements or carpentry to which the fixture is attached. See installation steps for more detail. The ballast and lamp are combined, to replace or install, twist pins into socket as shown on Fig.3.
10. Place the glass shade (I) into the fixture.
11. This fixture is rated for a minimum start temperature of -17° Celsius.
12. Your installation is now complete. Return power to the junction box and test the fixture.
13. The color correlated Temperature (CCT) for replacing the enclosed lamp is (2700K).

Caution: CFLs contain Mercury (Hg) Dispose of according to Local, State and Federal Law. ([www.epa.gov/bulbrecycling](http://www.epa.gov/bulbrecycling))

**IMPORTANT: FIXTURE SHOULD BE INSTALLED BY A QUALIFIED ELECTRICIAN TO ENSURE PROPER WIRING AND INSTALLATION.**



FIXTURE WIRES	HOUSE WIRES
Black	Black (Hot)
White	White (Neutral)
Green or Bare Copper (Ground)	Green or Bare Copper (Ground)



MIN 90 SUPPLY CONDUCTORS