

INSTALLATION INSTRUCTIONS

For Model #864-PL

READ AND SAVE THESE INSTRUCTIONS

WARNING! SHUT POWER OFF AT FUSE OR CIRCUIT BREAKER.

AVERTISSEMENT! COUPER LE COURANT AU NIVEAU DES FUSIBLES OU DU DISJONCTEUR.

NOTE

Turn off the main power at the circuit breaker before installing the fixture, in order to prevent possible shock.

GENERAL

All electrical connections must be in accordance with local and national electrical code (N.E.C) standards. If you are unfamiliar with proper electrical wiring connections obtain the services of a qualified electrician.

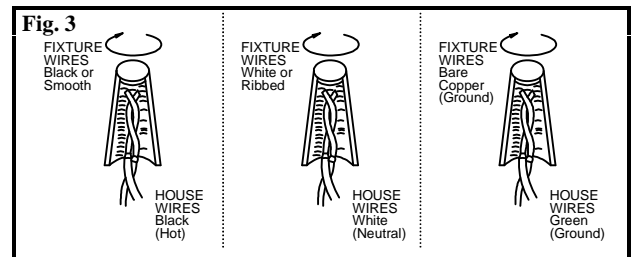
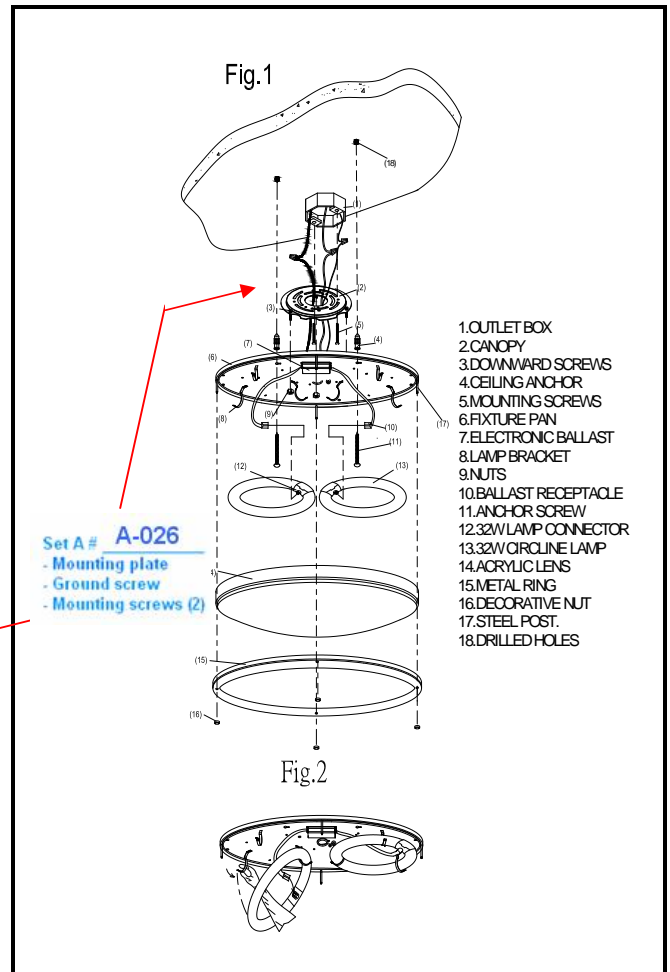
Carefully unpack your new fixture and lay out all the parts in a clear area. Take care not to lose any small parts necessary for installation.

ASSEMBLY AND INSTALLATION

1. Turn off the power.
2. Remove the four DECORATIVE NUTS (16) from the METAL RING (15). Remove the METAL RING (15) and ACRYLIC LENS (14) from the FIXTURE PAN (6).
3. Take the Circline lamps out from the LAMP BRACKET (8) by pulling the LAMP BRACKET (8) backward. Then take the BALLAST RECEPTACLE (10) from the lamp connector.
4. Pull the supply wires and house ground wire out from the OUTLET BOX (1).
5. Mount the CANOPY (2) to the OULET BOX (1) with the MOUTING SCREWS (5) (Size: #8-32*0.5"L) provided (Note: The side of the Canopy marked "GND" must face out.)
6. Locate the FIXTURE PAN (6) through the 3 DOWNWARD SCREWS (3) on the canopy and adjust it to your desired position. Make marks on 2 narrow opening of the keyhole slots. Remove the FIXTURE PAN (6) from the ceiling. Drill the two HOLES (18) using the appropriately sized drill bit. Then Insert the CEILING ANCHORS (4) through the marks location.
7. Make the wiring connections: connect the house ground wire to the fixture ground wire using wire connector; connect the white supply wire to the white (OR RIBBED) fixture wire; connect black supply wire to the black (OR SMOOTH) fixture wire using wire connectors. Carefully tuck all wires back into the OUTLET BOX (1). (See Fig.3)
8. Attach the fixture pan to the CANOPY (2) through the 3 DOWNWARD SCREWS (3) and tight it with 3 NUTS (9). Install the ANCHOR SCREWS (11) to the CEILING ANCHORS (4) through the narrow opening of the keyhole slots on the fixture pan to secure the fixture pan to the ceiling.
9. Attach one of the 32W BALLAST RECEPTACLES (10) to one of the 32W LAMP CONNECTORS (12). Attach the 32W CIRCLINE LAMP (13) to FIXTURE PAN (6) by pulling a LAMP BRACKET (8) backward and inserting the 32W CIRCLINE LAMP (13). Pull back the remaining LAMP BRACKETS (8) and insert the 32W CIRCLINE LAMP (13). (See Fig. 2)
10. Repeat Step 9 for the other 32W CIRCLINE LAMP (13).
11. Place the ACRYLIC LENS (14) over the FIXTURE PAN (6). Place the METAL RING (15) over the ACRYLIC LENS (14) lining up the holes with the STEEL POSTS (17) and securing it with the four DECORATIVE NUTS (16).
12. The color correlated Temperature (CCT) for replacing the enclosed lamp is (2700K).

INSTALLATION IS NOW COMPLETED

The ballast in each of these models can be replaced by a qualified electrician without cutting of wires and without damage to the housing, trim, decorative elements or carpentry to which the fixture is attached. See installation steps for more detail.



LIMITED 3 YEAR WARRANTY

This Fixture is covered by a Limited 3 year Warranty from the Manufacturer, effective from the date of purchase. This fixture is warranted against defects in the quality of the housing, trims, diffuser, shades, and electrical components. Fixture finishes and/or lamps (bulbs) are expressly excluded from this warranty; refer to bulb manufacturer for lamp warranty.

Contains Mercury (Hg) Dispose of according to Local, State and Federal Law. (www.epa.gov/bulbrecycling)



Use screw driver to loosen the ballast screw and take it out of fixture pan.



Insert the Ballast and then secure it by tightening two screws on each side.