

INSTALLATION INSTRUCTION FOR 62-PL

**WARNING! SHUT POWER OFF AT FUSE OR CIRCUIT BREAKER .
AVERTISSEMENT! COUPER LE COURANT AU NIVEAU DES FUSIBLES OU DU DISJONCTEUR.**

READ AND SAVE THESE INSTRUCTIONS

PREPARATION

1. Shut off the power at the fuse box or circuit breaker box. If necessary. Remove old fixture and all mounting hardware from wall junction box.
2. Carefully unpack your new fixture and lay out all the parts on a clear area. Take care not to lose any small parts necessary for installation.

ASSEMBLING THE FIXTURE

3. Thread pipe (G) into (H), thread pipe (H) into pipe (I), thread pipe (I) into pipe (J), and thread the pipe (J) onto the nipple (K).
4. Thread the pipe (G) onto the coupling (F).

MOUNTING THE FIXTURE (FIG.1)

5. Thread the two mounting screws (A) (Size: #8-32*1.8"L) part way into the crossbar (B). Secure the crossbar (B) to junction box (not provided) with the junction box screws (C) (Size: #8-32*0.6"L) through slotted holes in crossbar (B).

CONNECTING THE WIRES (Fig. 2)

6. Connect the fixture wires to the junction box wires as shown in Fig. 2. Make sure all wire connectors are secure and do not easily pull off with a slight tug. If there is no green ground wire from the junction box, connect the fixture ground wire to the circular strap or the crossbar with the green screw provided.
7. Tuck these wire connections neatly into the ceiling junction box.
8. Raise the canopy (D) allowing for the mounting screws (A) to protrude through the holes on the canopy (D), then secure with the finials (E).

COMPLETING THE INSTALLATION

9. Install the proper light bulbs for your fixture.
(DO NOT EXCEED THE MAXIMUM WATTAGE RATING!) (NE PAS DEPASSER LA PUISSANCE NOMINALE MAXIMALE!)
10. Place the glass shade (O) over the cap (L), then secure with the washers (M) and screws (N).
11. The ballasts in each of these models can be replaced by a qualified electrician without cutting of wires and without damage to the housing, trim, decorative elements or carpentry to which the fixture is attached. See installation steps for more detail.
12. The ballast and lamp are combined, to replace or install, twist pins into socket as shown on Fig.3.
13. The color correlated Temperature (CCT) for replacing the enclosed lamp is (2700K).

Return the power to the junction box and test the fixture. Your installation is now complete.

Fig.1

Set# A-016

- Crossbar
- Ground screw
- Mounting screw*2
- Junction box screws*2

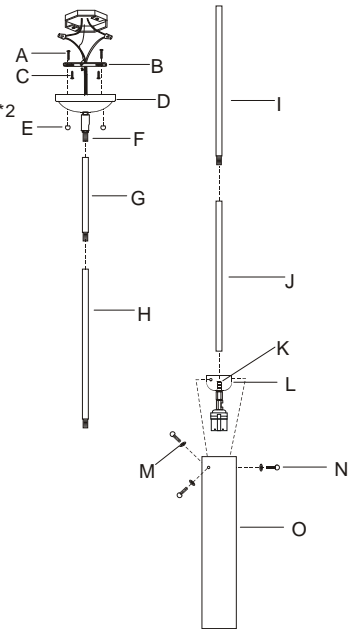
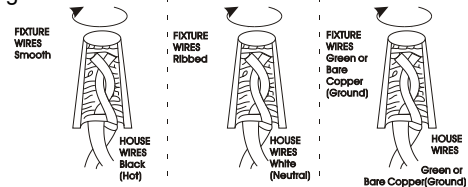


Fig.2



LIMITED 3 YEAR WARRANTY

This fixture is covered by a limited 3 year warranty from the Manufacturer, effective from the date of purchase. This fixture is warranted against defects in the quality of the housing, trims, diffuser, shades, and electrical components. Fixture finishes and/or lamps (bulbs) are expressly excluded from this warranty; refer to the bulb manufacturer for lamp warranty.

Contains Mercury (Hg) Dispose of according to Local, State and Federal Law. (www.epa.gov/bulbrecycling)

Fig.3

