

# INSTALLATION INSTRUCTION 505-PL

For Wall Sconce Fixture

## READ AND SAVE THESE INSTRUCTIONS

**WARNING! SHUT POWER OFF AT FUSE OR CIRCUIT BREAKER BEFORE INSTALLATION**

**AVERTISSEMENT ! COUPER LE COURANT AUNIVEAU DES FUSIBLES OU DU DISJONCTEUR.**

### MOUNTING THE FIXTURE (Fig.1)

1. Shut off the power at the circuit breaker box (avertissement! couper le courant au niveau des fusibles ou du disjoncteur) and remove the old fixture, including the mounting hardware
2. Carefully unpack your new fixture and lay out all the parts on a clear area. Take care not to lose any small parts necessary for installation.
3. Attach the crossbar (D) (part#A-010) to the outlet box with the two outlet box screws (F) (size:8-32\*1/2"L) as shown. The side of the crossbar marked "GND" must face out.
4. Thread the nipple (E) to the part away into the center hole of the crossbar with the hex nut (B).
5. Connect the wires as described under "Connecting the Wires"(Fig.2).

### CONNECTING THE WIRES (Fig.2)

6. Connect the fixture wires to the outlet box wires as shown in Fig. 2. Make sure all wire connectors are secured and do not easily pull off with a slight tug. If there is no green ground wire from the outlet box, connect the fixture ground wire to the crossbar with the green screw (C) provided.

**Note:** Twist wires in the same direction connect the wire connector onto wires.

### COMPLETING THE INSTALLATION (Fig.1 and 1.1)

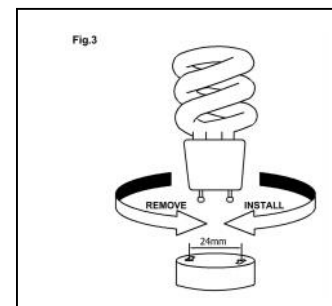
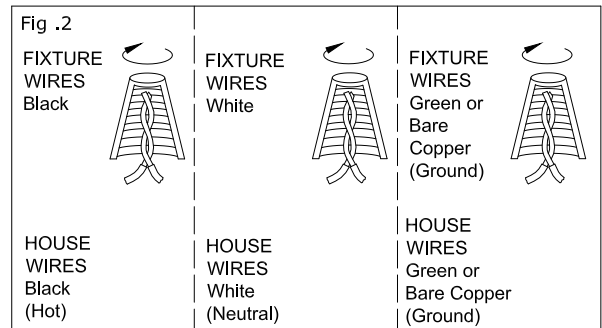
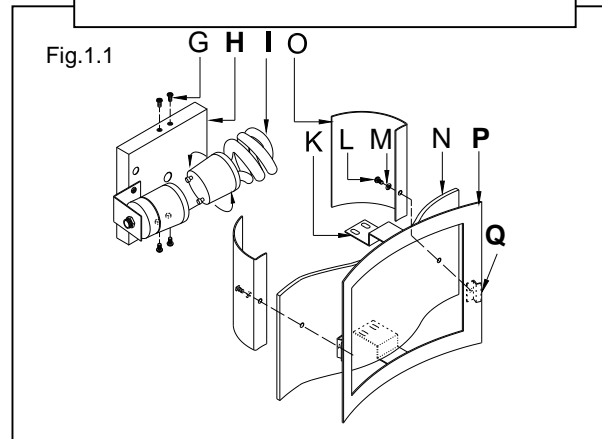
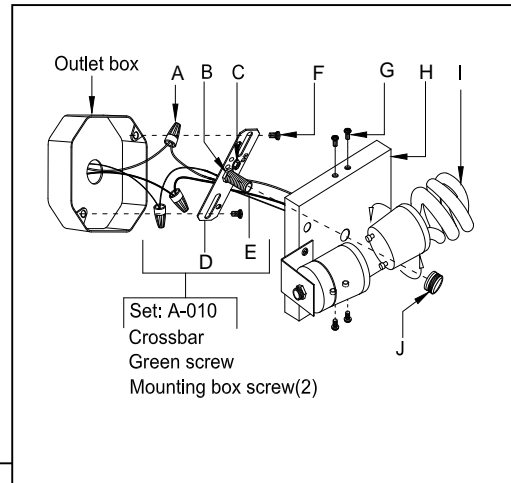
7. Place the back plate (H) over the nipple (E) so the nipple protrudes through the center hole. Holding the back plate (H) in place, thread the nipple with cap (J) until fixture is secure to the wall.
8. The ballast in each of these models can be replaced by a qualified electrician without cutting of wires and without damage to the housing, trim, decorative elements or carpentry to which the fixture is attached. See installation steps for more detail. The ballast and lamp are combined, to replace or install, twist pins into socket as shown on Fig.3.
9. Install the PL lamp (I) in accordance with the fixture's specification (1xMax 13W included) **DO NOT EXCEED THE MAXIMUM WATTAGE RATING! ( NE PAS DEPASSER LA PUISSANCE NOMINALE MAXIMALE! )**
10. Place the curved glass (N) on the two brackets (K).
11. Put the screw (L) through plastic washer (M) and the holes on the side panel (O), and curved glass (N), and tighten the side panel (O) to curved glass (N) by threading the screw to the screw hole on the hicky (Q).
12. Raise the steel panel (P) over the back plate (H), and tighten the steel panel (P) to back plate with screw (G) through the key hole on the bracket (K).
13. Your installation is now complete. Return power to the outlet box and test the fixture.
14. This fixture is rated for a minimum start temperature of -17° Celsius.
15. The color correlated Temperature (CCT) for replacing the enclosed lamp is (2700K).

### LIMITED 3 YEAR WARRANTY

This Fixture is covered by a Limited 3 year Warranty from the Manufacturer, effective from the date of purchase. This fixture is warranted against defects in the quality of the housing, trims, diffuser, shades, and electrical components. Fixture finishes and/or lamps (bulbs) are expressly excluded from this warranty; refer to bulb manufacturer for lamp warranty.

**NOTE:** CFLs contain Mercury (Hg) Dispose of according to Local, State and Federal Law. ([www.epa.gov/bulbrecycling](http://www.epa.gov/bulbrecycling))

**IMPORTANT: FIXTURE SHOULD BE INSTALLED BY A QUALIFIED ELECTRICIAN TO ENSURE PROPER WIRING AND INSTALLATION.**



MIN 90 SUPPLY CONDUCTORS

