

INSTALLATION INSTRUCTIONS

For Model # 1001-PL

READ AND SAVE THESE INSTRUCTIONS

WARNING! SHUT POWER OFF AT FUSE OR CIRCUIT BREAKER.

AVERTISSEMENT! COUPER LE COURANT AU NIVEAU DES FUSIBLES OU DU DISJONCTEUR.

NOTE

Turn off the main power at the circuit breaker before installing the fixture, in order to prevent possible shock.

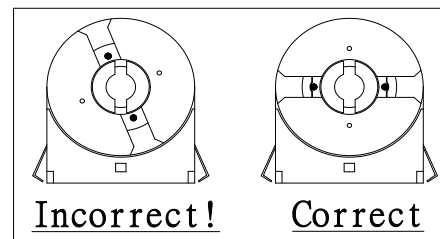
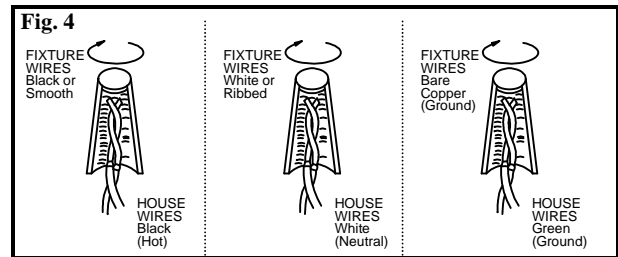
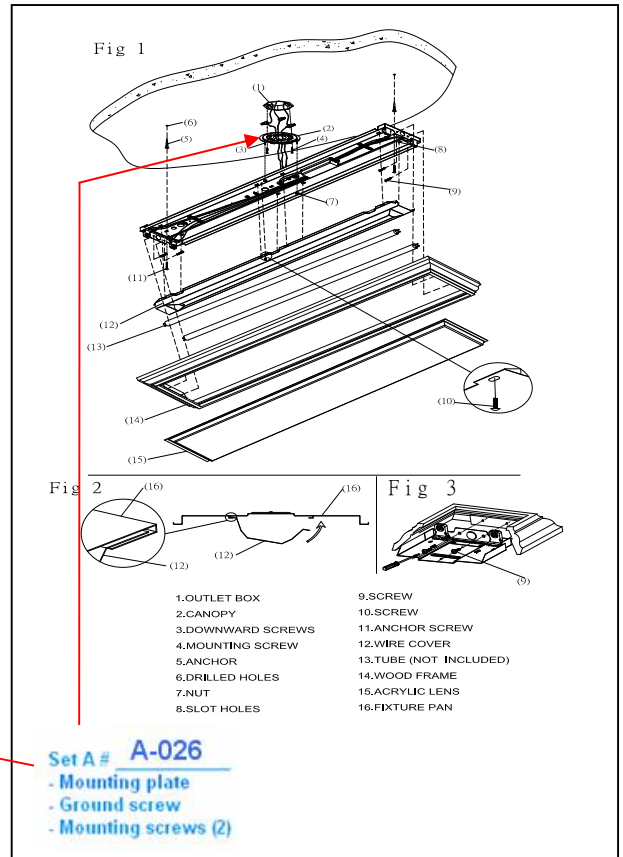
GENERAL

All electrical connections must be in accordance with local and national electrical code (N.E.C) standards. If you are unfamiliar with proper electrical wiring connections obtain the services of a qualified electrician.

Carefully unpack your new fixture and lay out all the parts in a clear area. Take care not to lose any small parts necessary for installation.

ASSEMBLY AND INSTALLATION

1. Turn off the power.
2. Loosen the screw and squeeze the Wire Cover (12) to release and remove from Fixture Pan (16).
3. To install foam tape around top of the Wood Frame (14), peel off backing to expose adhesive. Attach at top inside corner and proceed around perimeter. Cut off any excess material.
4. Turn Fixture Pan (16) over and position Wood Frame (14) over channel. Align holes in fixture end. Secure with Screws (9) (provided) **(See Fig.3)**
5. Pull the supply wires and house ground wire out from the Outlet Box (1)
6. Install the Canopy (2) to the Outlet Box (1) by using two Mounting Screws (4) (Size: #8-32*0.5"L) **(Note: The side of the Canopy marked "GND" must face out)**
7. Position the Fixture Pan (16) over the Outlet Box (1). Mark the location of the two Slot Holes (8) located on the fixture body. Remove the Fixture Pan (16) from the ceiling. Drill the two Holes (6) using the appropriately sized drill bit. Insert the provided ceiling Anchors (5) into the holes.
8. Make Wire Connections: Connect the house ground wire to the fixture ground wire; Connect the white supply wire to the black fixture wire; connect the black supply wire to the black fixture wire by using the wire connectors. Carefully tuck all wires back into the Outlet Box (1). **(See Fig.4).**
9. Attach the fixture body to the Canopy (2) through the 2 Downward Screws (3) and tight it with two Nuts (7).
10. Feed the two Anchor Screws (11) through the slot holes (8). Tighten the Anchor Screws (11) into the ceiling Anchors (5) until the fixture body is flush with the ceiling.
11. Replace Wire Cover (12) under tabs in fixture channel (make sure no wiring is pinched between cover) and then tight it with Screw (10). **(See Fig.2)**
12. Now you are ready to install the Tube (13). Please follow the wattage label located on the fixture body. Do not exceed the recommend wattage. (NE PAS DEPASSER LA PUISSANCE NOMINALE MAXIMALE) **(Simultaneously** insert the pins into both ends of the fixture and rotate the bulb until you hear and feel them lock into place)
13. Angle one corner of Acrylic Lens (15) towards one corner of Wood Frame (14) pilot opposite corner of Acrylic Lens (15) into Wood Frame (14). Center Acrylic Lens (15) in Wood Frame (14).
14. The color correlated Temperature (CCT) for replacing the recommended lamp is (3500K).



Use screw driver to loosen the ballast screw and take it out of fixture pan.



Insert the Ballast to the triangle hole and then secure it by the screw on the other end.

INSTALLATION IS NOW COMPLETED

The ballast in each of these models can be replaced by a qualified electrician without cutting of wires and without damage to the housing, trim, decorative elements or carpentry to which the fixture is attached. See installation steps for more detail.