

INSTALLATION INSTRUCTIONS 1198

For Model # 1186/1187/1188-357 (REV. 05/16/2003)

WARNING! SHUT POWER OFF AT FUSE OR CIRCUIT BREAKER.

ASSEMBLING THE FIXTURE (Fig. 1 & 2)

1. Carefully remove the fixture from the carton and check that all parts are included as shown in the illustration.
2. Shut off power at the circuit breaker and remove old fixture including the crossbar.
3. Fix Center Rod (H) to Stud (I).
4. Thread Nipple (J) into the matched Coupling (K) to fix side rod, install one side rod at a time.

HANGING THE FIXTURE (Fig. 3)

5. Thread Nipple into Loop until snug.
6. Thread other end of Nipple with Loop attached into crossbar until snug.
7. Place Lock Washer over end of Nipple protruding through crossbar and thread Hex Nut onto nipple until tight.
8. Take this crossbar assembly and mount to ceiling junction box with junction box screws. Tighten screws securely with screwdriver.
9. By measuring determine correct number of links needed for proper hanging height.
10. Use a pair of pliers to open one end link of the chain, attach the chain to the fixture's loop, close the link. Slip Loop Collar and Canopy over the chain. Open the other end link of the chain and lift the fixture to attach to the ceiling loop, close the chain link.
11. Lace the fixture's wires through the chain links and pull until taut. Feed the fixture wires through the loop and Nipple and pull until taut.
12. Open the other end link of the chain and hang the fixture on the loop at the Ceiling. Close the link.
13. Feed the fixture wires through the loop, and pull until taut.

CONNECTING THE WIRES (Fig. 4)

14. At this point, connect the electrical wire as shown in figure 4, making sure that all wire connectors are secured. If your outlet has a ground wire (green or bare copper), connect the fixture's Ground Wire to it. Otherwise, connect the fixture's Ground Wire directly to the crossbar using the Green Screw provided.
15. Tuck these wire connections neatly into the ceiling junction box and then raise the canopy all the way to the ceiling. Raise the Lock Collar and thread onto ceiling Loop protruding through canopy.

SHADE INSTALLATION (Fig. 2)

16. Place Glass Shade (M) over Socket (N) and secure tightly with Screw Shell (L).
17. Screw Nut (G) to the end of Pipe (C), then slide Iron Washer (F) along with Plastic Washer (E) and Glass Shade (D) over Pipe (C) as shown Fig. 2.
18. Secure the Glass Shade with Knurl Knob (B) and Finial (A) tightly.
19. Install the light bulbs in accordance with the fixture's specifications. **(DO NOT EXCEED THE MAXIMUM WATTAGE RATING!)**

Your installation is now complete. Return power to the junction box and test the fixture.

Fig. 1

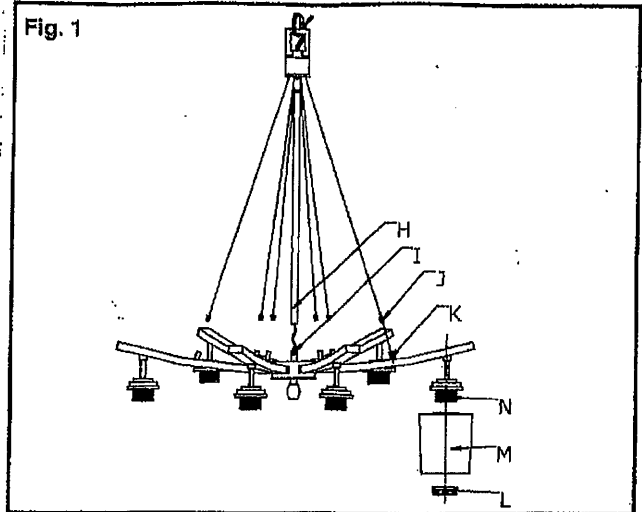


Fig. 2

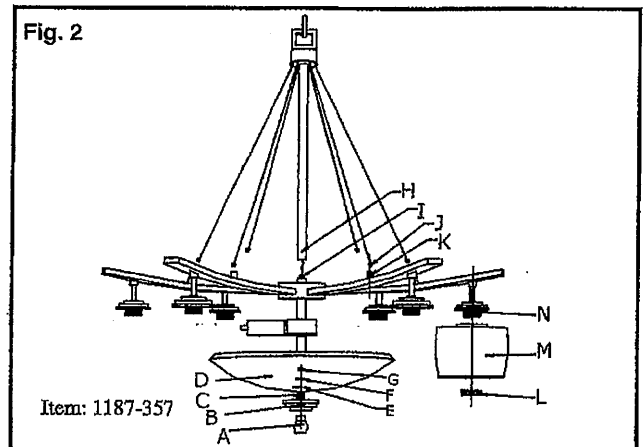


Fig. 3

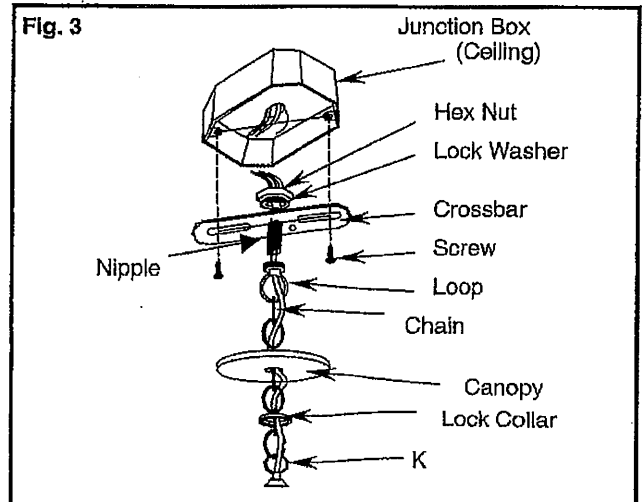


Fig. 4

