

INSTALLATION INSTRUCTIONS

For Model #1008-PL

READ AND SAVE THESE INSTRUCTIONS

WARNING! SHUT POWER OFF AT FUSE OR CIRCUIT BREAKER.

AVERTISSEMENT! COUPER LE COURANT AU NIVEAU DES FUSIBLES OU DU DISJONCTEUR.

NOTE

Turn off the main power at the circuit breaker before installing the fixture, in order to prevent possible shock.

GENERAL

All electrical connections must be in accordance with local and national electrical code (N.E.C) standards. If you are unfamiliar with proper electrical wiring connections obtain the services of a qualified electrician.

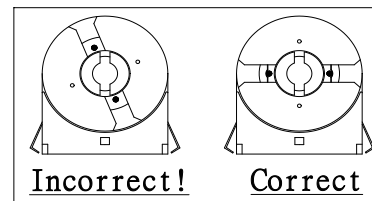
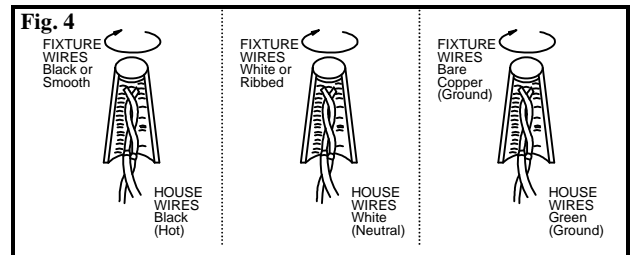
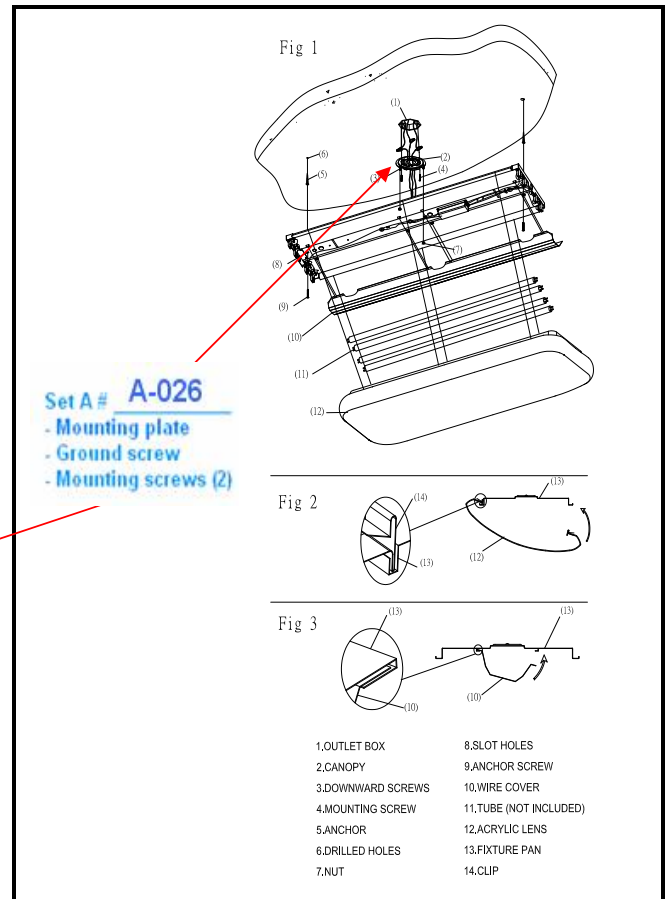
Carefully unpack your new fixture and lay out all the parts in a clear area. Take care not to lose any small parts necessary for installation.

ASSEMBLY AND INSTALLATION

1. Turn off the power.
2. Remove the Wire Cover (10) by loosening the screw and snapping the Wire Cover (10) with your finger.
3. Pull the supply wires and house ground wire out from the Outlet Box (1)
4. Install the Canopy (2) to the Outlet Box (1) by using two Mounting Screws (4) (Size: #8-32*0.5"L) (Note: The side of the Canopy marked "GND" must face out.)
5. Position your fixture over the Outlet Box (1). Mark the location of the two Slot Holes (8) located on the fixture body. Remove the fixture body from the ceiling. Drill the two Holes (6) using the appropriately sized drill bit. Insert the provided ceiling Anchors (5) into the holes.
6. Make the wiring connections: Connect the house ground wire to the fixture ground wire. Connect the white supply wire to the white fixture wire; connect black supply wire to the black fixture wire using wire connectors. Carefully tuck all wires back into the Outlet Box (1). **(See Fig.4)**
7. Attach the Fixture Pan (13) to the Canopy (2) through the two Downward Screws (3) and tight it with two Nuts (7)
8. Feed the two Anchor Screws (9) through the Slot Holes (8). Tighten the Anchor Screws (9) into the ceiling Anchors (5) until the fixture body is flush with the ceiling.
9. Follow the drawing #3 to install the wire cover. Snap the wire cover with your hands, then secure to the Fixture Body with Screw. **(See Fig 3)**
10. Install the Tube (11). Please follow the wattage label located on the fixture body. Do not exceed the recommend wattage. **(NE PAS DEPASSER LA PUISSANCE NOMINALE MAXIMALE)** **(Simultaneously** insert the pins into both ends of the fixture and rotate the bulb until you hear and feel them lock into place)
11. Follow drawing #2 to install the Acrylic Lens (12). Hook the Clips (14) of the lens to the curve edge of the Fixture Pan (13) **(See Fig.2)**
12. The color correlated Temperature (CCT) for replacing the recommended lamp is (4100K).

INSTALLATION IS NOW COMPLETED

The ballast in each of these models can be replaced by a qualified electrician without cutting of wires and without damage to the housing, trim, decorative elements or carpentry to which the fixture is attached. See installation steps for more detail.



LIMITED 3 YEAR WARRANTY

This Fixture is covered by a Limited 3 year Warranty from the Manufacturer, effective from the date of purchase. This fixture is warranted against defects in the quality of the housing, trims, diffuser, shades, and electrical components. Fixture finishes and/or lamps (bulbs) are expressly excluded from this warranty; refer to bulb manufacturer for lamp warranty.



Use screw driver to loosen the ballast screw and take it out of fixture pan.



Insert the Ballast to the triangle hole and then secure it by the screw on the other end.

