

INSTALLATION INSTRUCTION 1180

For Wall Sconce Light Fixtures (Rev. 2/23/98)

WARNING! SHUT POWER OFF AT FUSE OR CIRCUIT BREAKER.

MOUNTING THE BACKPLATE (Fig. 1)

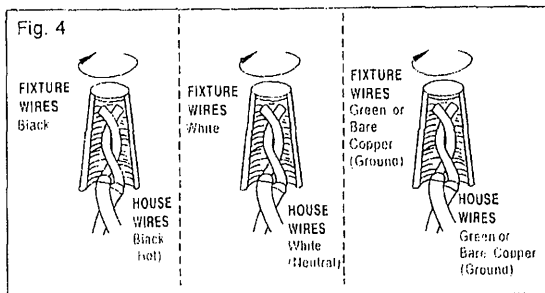
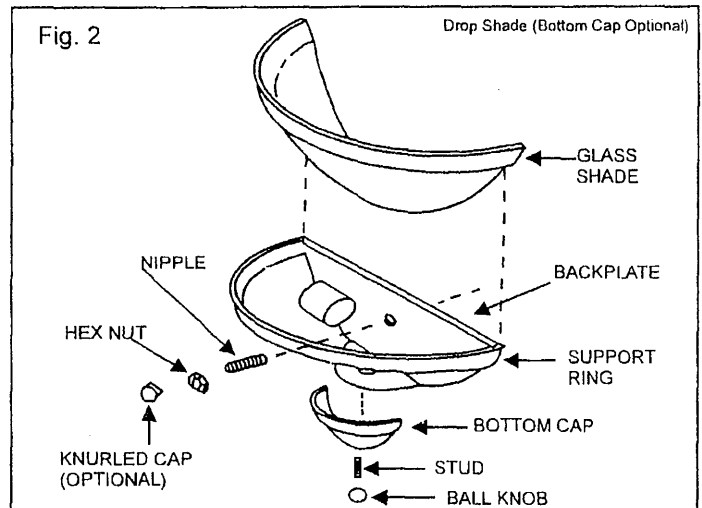
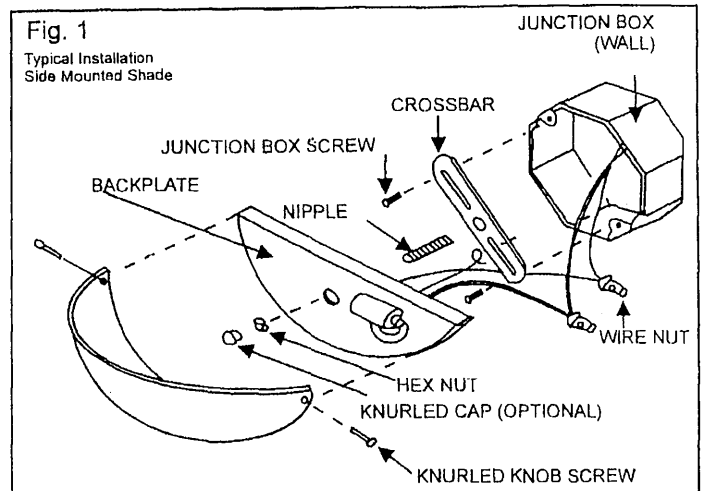
1. Shut off the power at the circuit breaker and remove old fixture, including the crossbar.
2. Carefully unpack your new fixture and lay out all the parts on a clear area. Take care not to lose any small parts necessary for installation.
3. Attach the Crossbar to the junction box using two Junction Box Screws. The side of the Crossbar marked "GND" must face out.
4. Thread the Nipple part way into the center hole of the Crossbar.

CONNECTING THE WIRES (Fig. 4)

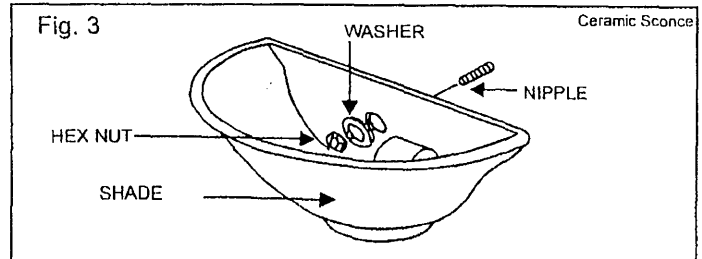
5. At this point, connect the electrical wires as follows. Connect the black wire from the fixture to the black house (hot) wire. Connect the white wire from the fixture to the white (neutral) house wire. Make sure all wire nuts are secured. You may wrap the connections with electrical tape. If your outlet has a ground wire (green or bare copper) connect fixture's ground wire to it. Otherwise connect fixture's ground wire directly to the crossbar using the green screw provided. Tuck the wire connections neatly into the ceiling junction box.

MOUNTING FIXTURE AND SHADE

6. After the wires are connected tuck them carefully inside the junction box as you place the Backplate over the Nipple. Secure the Backplate against the wall using Hex Nut or Knurled Cap.
7. Install Glass Shade by referring to Figures 1, 2, or 3. Find the one that best matches your fixture and install according to illustration.
8. Install light bulbs in accordance with fixtures specifications, **DO NOT EXCEED MAXIMUM WATTAGE RATING!**
9. Your installation is now complete. Return the power to the junction box and test the fixture.



MIN 90°C SUPPLY CONDUCTORS



CAUTION - RISK OF FIRE. CONSULT A QUALIFIED ELECTRICIAN TO ENSURE CORRECT BRANCH CIRCUIT CONDUCTOR.



LA-200E/S-A