

INSTALLATION INSTRUCTIONS

For Model #1016-PL

READ AND SAVE THESE INSTRUCTIONS

WARNING! SHUT POWER OFF AT FUSE OR CIRCUIT BREAKER.
AVERTISSEMENT! COUPER LE COURANT AU NIVEAU DES FUSIBLES OU DU DISJONCTEUR.

NOTE

Turn off the main power at the circuit breaker before installing the fixture, in order to prevent possible shock.

GENERAL

All electrical connections must be in accordance with local and national electrical code (N.E.C) standards. If you are unfamiliar with proper electrical wiring connections obtain the services of a qualified electrician.

Carefully unpack your new fixture and lay out all the parts in a clear area. Take care not to lose any small parts necessary for installation.

ASSEMBLY AND INSTALLATION

1. Turn off the power.
2. Take the fixture out of the box. Remove the Acrylic Lens (12) from the fixture and place aside on a flat surface to avoid damage to the lens. To remove the lens, pull the moveable end cap outward and then remove the Acrylic Lens (12) from the fixture. **(Refer to process #1)**. Then take the cardboard out from the End Cap (14).
3. Pull the supply wires and house ground wire out from the Outlet Box (1).
4. Install the Circular Strap (4) to the Outlet Box (1) by using two Mounting Screws (6). (Size: #8-32*0.5"L) (Note: The side of the Circular Strap marked "GND" must face out).
5. Position your fixture over the Outlet Box (1). Mark the location of the four Keyhole Slots (8) located on the Fixture Body (7) to the ceiling. Be sure to mark only the narrow part of the Keyhole Slots (8). Remove the Fixture Body (7) from the ceiling. Drill the four Holes (2) using the appropriately sized drill bit. Insert the provided ceiling Anchors (3) into the holes.
6. Make the wiring connections: connect the house ground wire to the fixture ground wire; connect the white supply wire to the white fixture wire; connect black supply wire to the black fixture wire using wire connectors. Carefully tuck all wires back into the Outlet Box (1). **(See Fig.2)**.
7. Attach the Fixture Body (7) to the Circular Strap (4) through the two Outward Screws (5) and tight it with two Nuts (13).
8. Feed the four Anchor Screws (10) through the narrow part of the Keyhole Slots (8). Tighten the Anchor Screws (10) into the ceiling Anchors (3) until the Fixture Body (7) is flush with the ceiling.
9. Install the fluorescent Tube (11) into the Sockets (9). Please follow the wattage label located on the Fixture Body (7). Do not exceed the recommend wattage. **(NE PAS DEPASSER LA PUISSANCE NOMINALE MAXIMALE) (Simultaneously)** insert the pins into both ends of the fixture and rotate the bulb until you hear and feel them lock into place)
10. To install the Acrylic Lens (12), carefully slide the lens to the End Cap (14) which is fixed, making sure the lens is completely into the end of the End Cap (14). Pull the other End Cap (14) which is moveable outward and insert the Acrylic Lens (12). Then the Acrylic Lens (12) will be held by the end cap. **(Refer to process#2)**.
11. The color correlated Temperature (CCT) for replacing the recommended lamp is (4100K).

INSTALLATION IS NOW COMPLETED

The ballast in each of these models can be replaced by a qualified electrician without cutting of wires and without damage to the housing, trim, decorative elements or carpentry to which the fixture is attached. See installation steps for more detail.

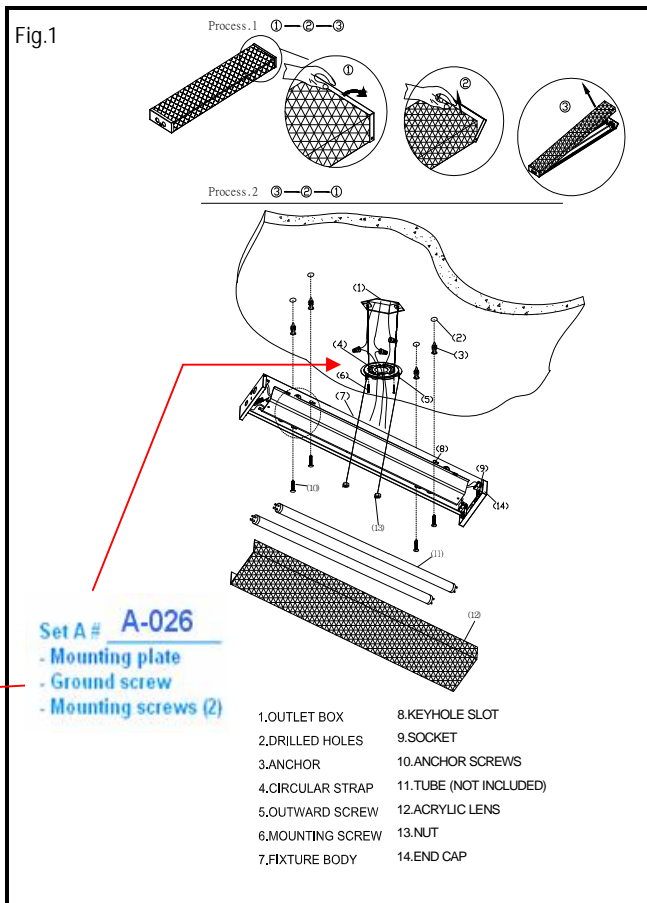
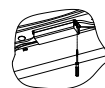
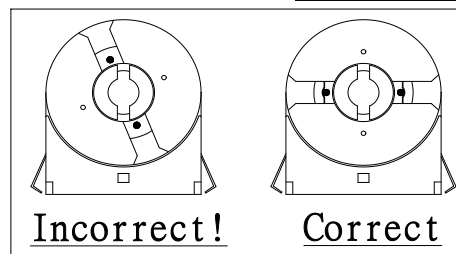
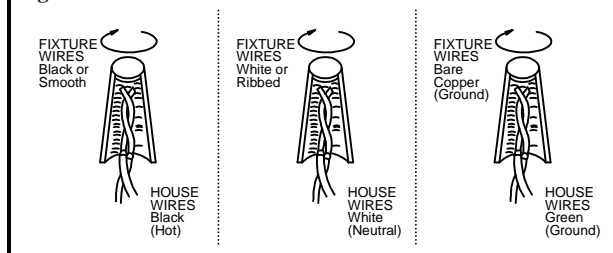
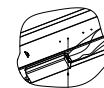


Fig. 2



Use screw driver to loosen the ballast screw and take it out of fixture pan.



Insert the Ballast to the triangle hole and then secure it by the screw on the other end.