

INSTALLATION INSTRUCTIONS FOR 5319-299
For Flush Mount Ceiling Fixture

WARNING! SHUT POWER OFF AT FUSE OR CIRCUIT BREAKER .
AVERTISSEMENT! COUPER LE COURANT AU NIVEAU DES FUSIBLES OU DU DISJONCTEUR.

MOUNTING THE FIXTURE (Fig. 1)

1. Shut off the power at the fuse box or circuit breaker box. Remove the old fixture from ceiling, including the crossbar.
2. Carefully unpack your new fixture and lay out all the parts on a clear area. Take care not to lose any small parts necessary for installation.
3. Thread the two mounting screws (A) about 1/4" into the pre-drilled holes in the crossbar (B) spaced about the same distance apart as the holes in the pan (E). Allow screws (A) to protrude slightly beyond the ceiling surface.
4. Attach the crossbar (B) to the outlet box using the two screws (C) (Size: #8-32*1"L). The side of the crossbar marked "GND" must face out.

CONNECTING THE WIRES (Fig. 2)

5. Hold the fixture (D) and pan (E) towards the crossbar and connect the electrical wires as follows (Fig.2). Connect the black wire from the fixture to the black house (hot) wire; connect the white wire from the fixture to the white house (neutral) wire. Make sure all wire nuts are secured. You may wrap the connections with electrical tape. If your outlet box has a ground wire (green or bare copper) connects fixture's ground wire to it. Other wise attach the bare copper fixture wire to the green ground screw (Size: #8-32*3/8"L) on the crossbar. Tuck the wire connections neatly into the ceiling junction box as you are holding the fixture assembly toward the ceiling.

COMPLETING THE ISNTALLATION (Fig. 1)

6. Finish mounting the pan (E) by placing it over both mounting screws (A) so that the screws protrude from the keyholes in the bottom of the pan (E). Rotate the pan (E) until the screw are seated in the slots of the keyholes and tightened it with a screwdriver.
7. Thread pipe (G) into center coupling of the pan (E) and tighten it with nut (F).
8. Install the light bulbs (not included) in accordance with the fixture's specifications: **DO NOT EXCEED THE MAXIMUM WATTAGE RATING! (NE PAS DEPASSER LA PUISSANCE NOMINALE MAXIMALE!)**
9. Put the glass shade (H) onto the pan (E) and onto the pipe (G) from the center hole of the glass shade.
10. Thread the lock nut (I) onto the pipe (G), and tighten firmly with the finial (J).

Your installation is now complete. Return power to the junction box and test the fixture.

Fig.1

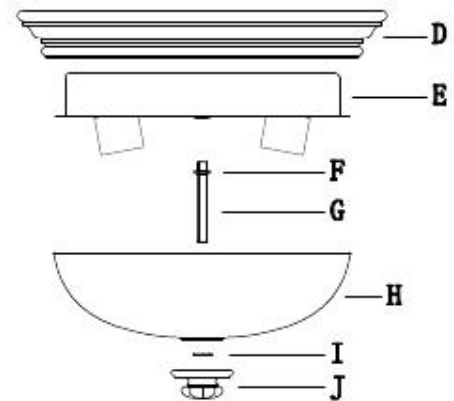
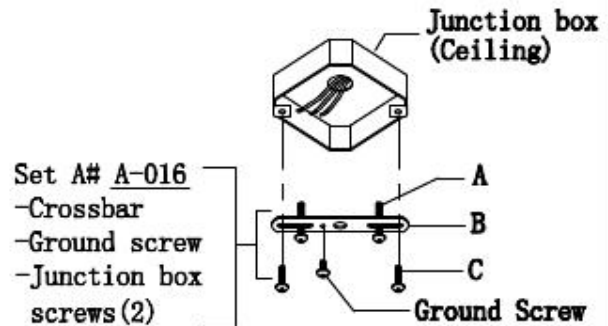


Fig.2



MIN 90°C SUPPLY CONDUCTORS

