

# INSTALLATION INSTRUCTION FOR 4364

**WARNING! SHUT POWER OFF AT FUSE OR CIRCUIT BREAKER .**  
**AVERTISSEMENT! COUPER LE COURANT AU NIVEAU DES FUSIBLES OU DU DISJONCTEUR.**

READ AND SAVE THESE INSTRUCTIONS

## PREPARATION

1. Shut off the power at the fuse box or circuit breaker box. If necessary. Remove old fixture and all mounting hardware from wall junction box.
2. Carefully unpack your new fixture and lay out all the parts on a clear area. Take care not to loose any small parts necessary for installation.

## ASSEMBLING THE FIXTURE

3. Thread rod (M) into the coupling (N), thread rod (L) into rod (M), thread rod (K) into rod (L), thread the rod (J) onto the rod (K). Thread the coupling (I) onto the rod (J).
4. Insert the nipples of coupling (I) into holes in canopy (H), then place metal plate (E) over the nipples and secure with washers (D) and nuts(C) .

## MOUNTING THE FIXTURE (FIG.1)

5. Secure back plate (A) to outlet box (not provided) with outlet box screws (B) through slotted holes in back plate (A).

## CONNECTING THE WIRES (Fig. 2)

6. Connect the fixture wires to the junction box wires as shown in Fig. 2. Make sure all wire connectors are secure and do not easily pull off with a slight tug. If there is no green ground wire from the junction box, connect the fixture ground wire to the circular strap or the mounting bar with the green screw provided.
7. Tuck these wire connections neatly into the wall junction box.
8. Raise the face plate (H) to back plate (A) ,and the secure face plate(H) with screws (F) by wrench (G)

## COMPLETING THE INSTALLATION

9. Install the proper light bulbs for your fixture. Use a T10 formatted lamp, and per wattage list on your fixture.

**(DO NOT EXCEED THE SPECIFIED WATTAGE!)**  
**(NE PAS DEPASSER LA PUISSANCE NOMINALE MAXIMALE!).**

10. Install the outer glass (R), having label" install first", over the socket(Q) and into the larger spinning (O)
11. Take note of angle in picture to place the inner glass (T) having the label" install second", and install it into the smaller spinning (P) and over the T10 lamp.

Note: When removing glass, take the inner glass out first and remove the outer glass last.

Return the power to the junction box and test the fixture. Your installation is now complete.

FIG.1

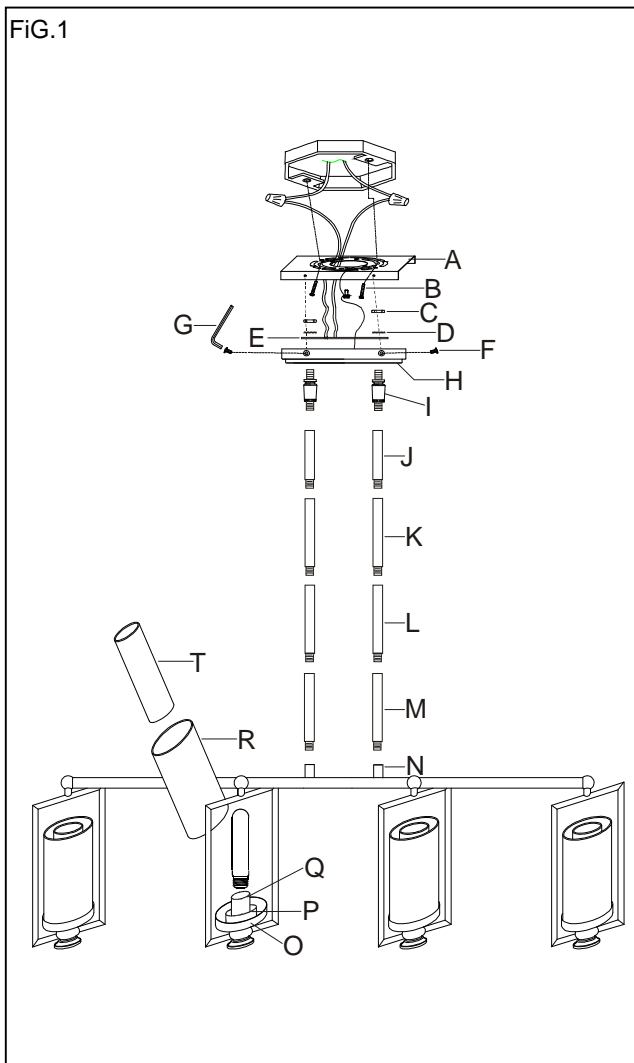


Fig.2

