

# INSTALLATION INSTRUCTIONS

Item#1455-XXX (New. 11/30/2023)

## READ AND SAVE THESE INSTRUCTIONS

**WARNING! SHUT POWER OFF AT FUSE OR CIRCUIT BREAKER.**

**AVERTISSEMENT! COUPER LE COURANT AU NIVEAU DES FUSIBLES OU DU DISJONCTEUR.**

### PREPARING FOR INSTALLATION (Fig. 1)

1. Shut off power at the fuse box or circuit breaker box and remove the old fixture including mounting hardware.
2. Carefully unpack your new fixture and lay out all the parts in a clean area. Take care not to misplace any small parts necessary for installation.

### ASSEMBLING THE FIXTURE (Fig.1)

3. Thread rod and canopy assembly (D) onto all thread (F) on top of fixture body.
4. Thread screws (A) into pre-drilled holes in circular strap (B). Spaced same distance apart as holes in canopy (D). The length of screws (A) may be adjusted if necessary.
5. Attach circular strap (B) to junction box (Not included) with mounting screws (C) (Size: #8-32N\*L0.5"). The side of circular strap marked "GND" and two convex points must face out.

### CONNECTING THE WIRES (Fig. 2)

6. Connect the electrical wires as shown in Fig.2, making sure that all wire connectors are secured. If your junction box has a ground wire (green or bare copper), connect the fixture's ground wire to it. Otherwise, connect the fixture's ground wire directly to the Circular Strap (B) using the green screw provided.
7. Tuck wire connectors neatly into junction box and raise canopy (D) to ceiling.

### COMPLETING THE INSTALLATION (Fig. 1)

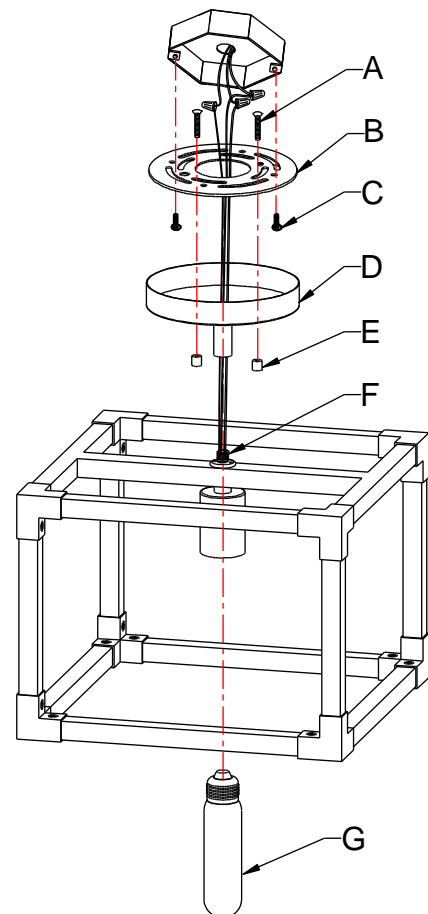
8. Thread screws (A) into canopy (D), and secure with knobs (E).
9. Install (1) one medium base bulb (G) up to 60 watts each or CFL or LED equivalent (not included) in accordance with the fixture specification. —**DO NOT EXCEED THE MAXIMUM WATTAGE RATING! (NE PAS DEPASSER LA PUISSANCE NOMINALE MAXIMALE!)**

Your installation is now complete. Return power to the junction box and test the fixture.

**Note: Illustration (Fig. 1) on this manual is for installation purposes only. It may or may not be identical to the fixture purchased.**

**Fig. 1**

- Set#A-020
- Circular Strap
  - Ground Screw
  - Mounting Screw \*2



**Fig. 2**

