

INSTALLATION INSTRUCTIONS

Item#1124-695

READ AND SAVE THESE INSTRUCTIONS

WARNING! SHUT POWER OFF AT FUSE OR CIRCUIT BREAKER.

AVERTISSEMENT! COUPER LE COURANT AU NIVEAU DES FUSIBLES OU DU DISJONCTEUR.

HANGING THE FIXTURE (Fig. 1)

1. Shut off power at the circuit breaker and remove old fixture including the mounting hardware.
2. Carefully remove the fixture from the carton and check that all parts are included as shown in the illustration.
3. Using the pre-drilled holes on mounting bracket (B), mark the location to install plastic anchors (N). Remove mounting bracket (B) and drill pilot holes on the marked spots and insert plastic anchors (N).
4. Thread screws (A) into the pre-drilled holes in mounting bracket (B) spaced the same distance apart as the holes in canopy (D). The length of screws (A) may be adjusted if necessary.
5. Attach mounting bracket (B) to junction box (K) (not included) using mounting screws (M) (Size: #8-32N*L25mm) and anchor screws (O). The side of the mounting bracket (B) marked "GND" must face out.

CONNECTING THE WIRES (Fig. 2)

6. Connect the electrical wires as shown in fig 2, making sure that all wire connectors (C) are secured. If your junction box (K) has a ground wire (green or bare copper), connect the fixture's ground wire to it. Otherwise, connect the fixture's ground wire directly to mounting bracket (B) using the green screw (L) provided.
7. Tuck the wire connectors neatly into junction box (K).

FINISH THE INSTALLATION (Fig. 1)

8. Slide screws (A) through canopy (D) and secure with finials (E).
9. Install (4) four candelabra bulbs (F) up to 60 watts each or CFL or LED equivalent (not included) in accordance with the fixture specification—**DO NOT EXCEED THE MAXIMUM WATTAGE RATING! (NE PAS DEPASSER LA PUISSANCE NOMINALE MAXIMALE!)**
10. Place rubber washers (H), glass (I) over bottom center stems (G). Use finials (J) to secure glass (I) to fixture body.

The fixture is over 10 lbs. Please remove all glasses before removing canopy from mounting plate to inspect wire connections in the future. This will allow you to hold the fixture body during wire connection inspection or fixture removal.

Note: Illustration (Fig.1) on this manual is for installation purposes only. It may or may not be identical to the fixture purchased.

IMPORTANT: FIXTURE SHOULD BE INSTALLED BY A QUALIFIED ELECTRICIAN TO ENSURE PROPER WIRING AND INSTALLATION.

Your installation is now complete. Return power to the junction box and test the fixture.

MIN75°C SUPPLY CONDUTORS

Fig. 1

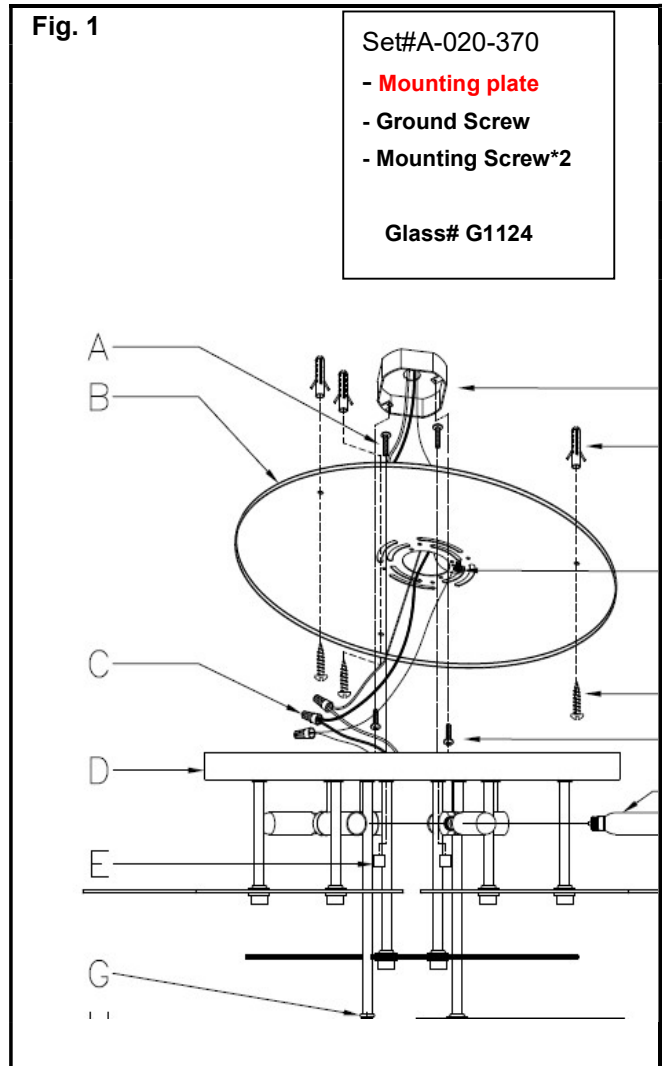
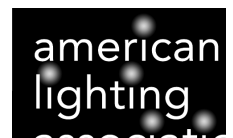
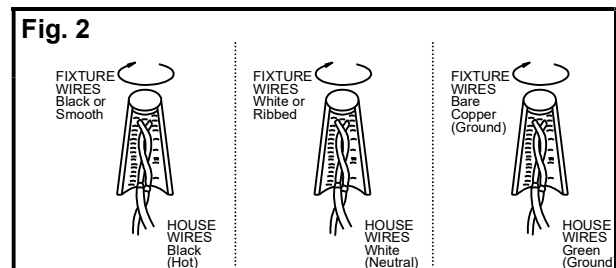


Fig. 2



No
ch
To
inc
the
str
us
sh