

# INSTALLATION INSTRUCTIONS

Item#5498-729 (New.5/24/2022)

## READ AND SAVE THESE INSTRUCTIONS

**WARNING! SHUT POWER OFF AT FUSE OR CIRCUIT BREAKER.**

**AVERTISSEMENT! COUPER LE COURANT AU NIVEAU DES FUSIBLES OU DU DISJONCTEUR.**

### PREPARATION (Fig. 1)

1. Shut off power at the fuse box or circuit breaker box and remove the old fixture including the mounting hardware.
2. Carefully unpack your new fixture and lay out all the parts in a clean area. Take care not to misplace any small parts necessary for installation.

### ASSEMBLING THE FIXTURE (Fig. 1)

3. Thread all thread (C) into crossbar (A). Secure with lock washer (G) and hex nut (B). The length of all thread (C) may be adjusted if necessary.
4. Secure crossbar (A) to the junction box (not included) with mounting screws (H) (Size: #8-32N\*1"). The side of the crossbar marked "GND" must face out.

### CONNECTING THE WIRES (Fig. 2)

5. Connect the electrical wires as shown in Fig.2, making sure that all wire connectors are secured. If your junction has a ground wire (green or bare copper), connect the fixture's ground wire to it. Otherwise, connect the fixture's ground wire directly to the crossbar (A) using the green screw provided. Tuck the wire connectors neatly into the junction box.

### COMPLETING THE INSTALLATION (Fig. 1)

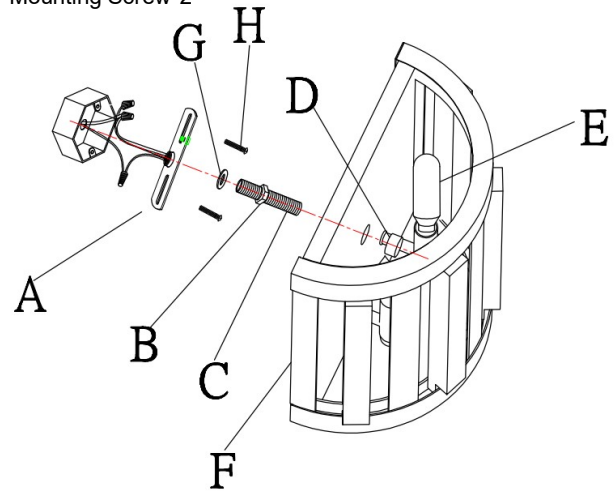
6. Slide fixture body (F) over all thread (C) and secure with finial (D).
7. Install (2) two candelabra base bulbs (E) up to 60 watts each or CFL or LED equivalent (not included) in accordance with the fixture specification — **DO NOT EXCEED THE MAXIMUM WATTAGE RATING! (NE PAS DEPASSER LA PUISSANCE NOMINALE MAXIMALE!).**

Your installation is now complete. Return power to the junction box and test the fixture.

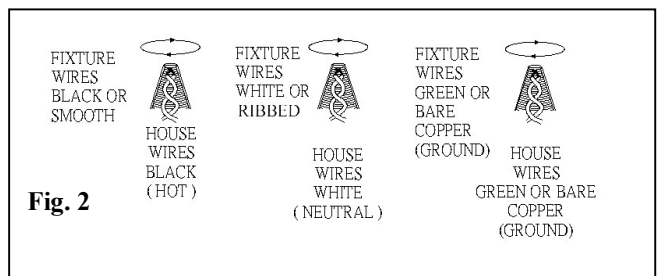
**Note: Illustration (Fig. 1) on this manual is for installation purposes only. It may or may not be identical to the fixture purchased.**

**Fig. 1**

Set#A-012  
- Crossbar  
- Ground Screw  
- Mounting Screw\*2



Acrylic #  
-GP5490-1\*1  
-GP5490-2\*4



**MIN 75°C SUPPLY CONDUCTORS**