

INSTALLATION INSTRUCTIONS

Item#4042-84 (New. 05/18/2021)

READ AND SAVE THESE INSTRUCTIONS

WARNING! SHUT POWER OFF AT FUSE OR CIRCUIT BREAKER.

AVERTISSEMENT! COUPER LE COURANT AU NIVEAU DES FUSIBLES OU DU DISJONCTEUR.

MOUNTING THE FIXTURE (Fig.1)

1. Shut off power at the fuse box or circuit breaker and remove the old fixture included the mounting hardware.
2. Carefully unpack your new fixture and lay out all the parts on a clean area. Take care not to lose any small parts necessary for installation.
3. Place mounting plate (B) over the outlet box (A) (Not included) and align mounting slots of mounting plate (B) with mounting holes of outlet box (A). Use a level to make sure mounting plate (B) is straight. Feed mounting screws (C) through mounting slots on mounting plate (B) and into mounting holes of outlet box (A). Make sure the side of the mounting plate marked "GND" must face out.

CONNECTING THE WIRES (Fig.2)

4. Connect the electrical wires as shown in Fig.2, making sure that all wire connectors (D) are secured. If your outlet box has a ground wire (green or bare copper), connect the fixture's ground wire to it. Otherwise, connect the fixture's ground wire directly to the mounting plate (B) using the green screw provided.
5. Tuck wire connections neatly inside the outlet box.

FINISHING THE INSTALLATION (Fig.1)

6. Thread fixture screws (F) through body (E) and into mounting plate (B) to secure fixture body (E).
7. Place glass shade (G) over sockets and secure glass shade (G) using metal rings (H).
8. Install (2) two medium base (E26) bulbs (I) up to 60 watts each or CFL or LED equivalent (not included) in accordance with the fixture specification—**DO NOT EXCEED THE MAXIMUM WATTAGE RATING! (NE PAS DEPASSER LA PUISSANCE NOMINALE MAXIMALE!)**.

Your installation is now complete. Return power and test the fixture.

Note: Illustration (Fig.1) on this manual is for installation purposes only. It may or may not be identical to the fixture purchased.

Fig.1

Set# A-021-195120

-Mounting Plate

-Ground Screw

-Mounting Screw*2

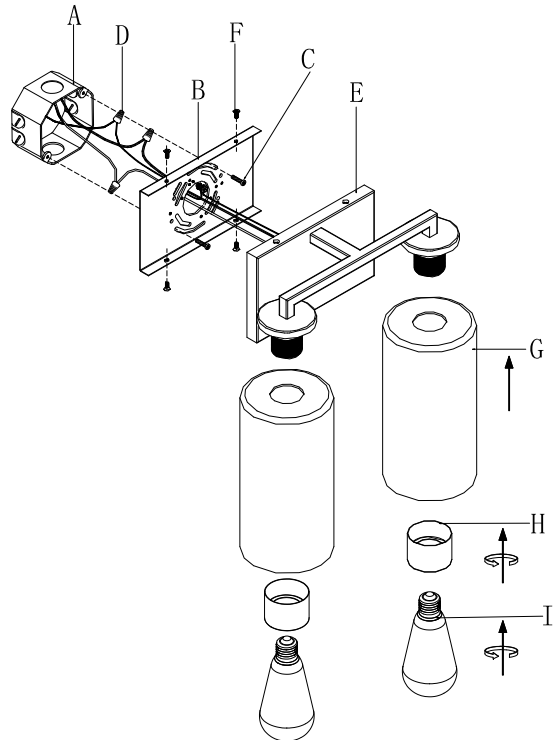


Fig.2

