

INSTALLATION INSTRUCTIONS

For Model #373-PL

READ AND SAVE THESE INSTRUCTIONS

WARNING! SHUT POWER OFF AT FUSE OR CIRCUIT BREAKER.

AVERTISSEMENT! COUPER LE COURANT AU NIVEAU DES FUSIBLES OU DU DISJONCTEUR.

CAUTION

Turn off the main power at the circuit breaker before installing the fixture, in order to prevent possible shock.

GENERAL

All electrical connections must be in accordance with local and national electrical code (N.E.C) standards. If you are unfamiliar with proper electrical wiring connections obtain the services of a qualified electrician.

Carefully unpack your new fixture and lay out all the parts in a clear area. Take care not to lose any small parts necessary for installation.

ASSEMBLY AND INSTALLATION

1. Turn off the power
2. Pull the supply wires and the house ground wire out from the Outlet Box (1).
3. Install the Circular Strap (2) to the Outlet Box (1) by using two Mounting Screws (5) (Size: #8-32*0.5"L).
4. Make the wire connections: connect the white supply wire to the white fixture wire; connect the black supply wire to the black fixture wire; connect the house ground wire to the fixture ground wire by using wire connectors. (See Fig.2)
5. Carefully tuck all wires back into the Outlet Box (1). Locate the Fixture Pan (3) over the Circular Strap (2) through the 2 Outward Screws (4) and secure it by tightening two Nuts (10).
6. Now you are ready to install the Lamp (6). Do not exceed recommended maximum wattage. (NE PAS DEPASSER LA PUISSANCE NOMINALE MAXIMALE)
7. Put the Glass Lens (11) into the Steel Frame (12) and then put the Steel Frame (12) over the Bracket (9), Make sure the hole on the steel frame match the hole on the Bracket (9). Then secure the Steel Frame (12) to the Bracket (9) by tightening two Screw Nuts (8).
8. The ballast and lamp are combined, to replace or install, twist pins into socket as shown on Fig 3.
9. The color correlated Temperature (CCT) for replacing the enclosed lamp is (2700K).

INSTALLATION IS NOW COMPLETED

The ballast in each of these models can be replaced by a qualified electrician without cutting of wires and without damage to the housing, trim, decorative elements or carpentry to which the fixture is attached. See installation steps for more detail.

Fig. 1

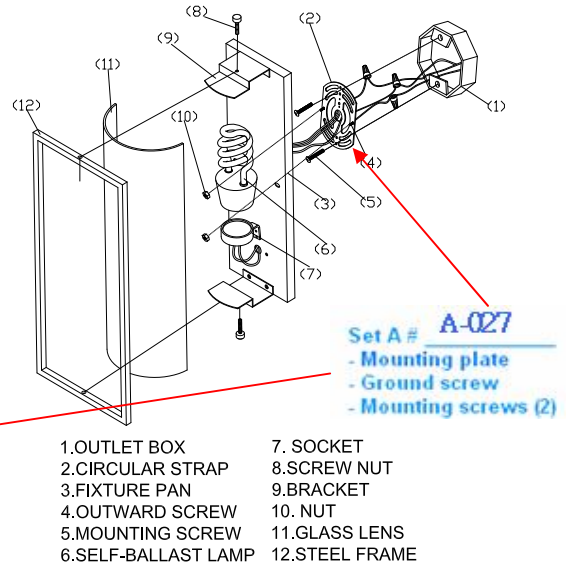
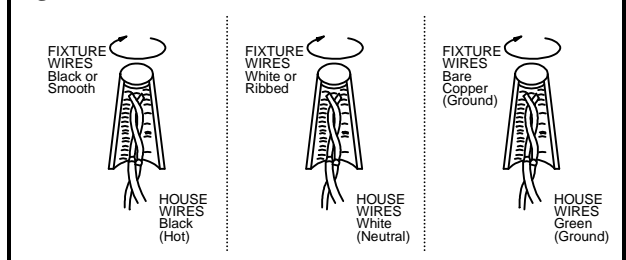
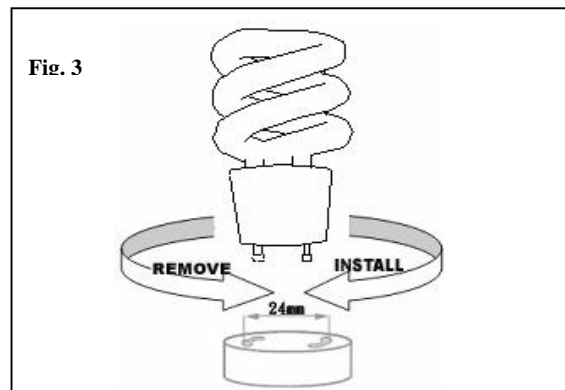


Fig. 2



Contains Mercury (Hg) Dispose of according to Local, State and Federal Law. (www.epa.gov/bulbrecycling)

Fig. 3



american
lighting
association