

INSTALLATION INSTRUCTIONS

Item#1824-249/281/613-L (New. 06/29/2018)

READ AND SAVE THESE INSTRUCTIONS

WARNING! SHUT POWER OFF AT FUSE OR CIRCUIT BREAKER.

AVERTISSEMENT! COUPER LE COURANT AU NIVEAU DES FUSIBLES OU DU DISJONCTEUR.

HANGING THE FIXTURE (Fig. 1)

1. Carefully remove the fixture from the carton and check that all parts are included as shown in the illustration.
2. Shut off power at the circuit breaker and remove the old fixture including the mounting hardware.
3. Position the mounting plate (C) on the ceiling and mark the location of the three drywall anchors (B). Pre-drill the holes for the drywall anchors (B). Then insert the drywall anchors (B) into the ceiling.
4. Thread mounting screws (A) into the pre-drilled holes in mounting plate (C). Space the same distance apart as the holes in the ceiling pan (I) and secure with hex nut (G).
5. Attach mounting plate (C) to the outlet box using mounting screws (F) (Size: #8-32N*L0.5") and wood screws (D) into drywall anchors (B). The side of the mounting plate marked "GND" must face out.
6. Loosen screw (H) from the rod (O), then remove the ceiling pan (I). Put glass panel (N) on the metal frame (P) and ceiling pan (I), secure with clips. Through screw (H) into ceiling pan (I) and secure on the rod (O).
7. The support cable is provided to support the weight of the fixture while wiring. Align the fixture to mounting plate (C) and attach hook (V) on the end of support cable (E) into a slot located on mounting plate (C). Carefully allow the support cable (P) to support the weight of the fixture while wiring.

CONNECTING THE WIRES (Fig. 2)

8. While holding the ceiling pan towards the ceiling, connect the electrical wires as shown in (Fig.2), making sure that all wire connectors are secured. If your outlet has a ground wire (green or bare copper), connect the fixture's ground wire to it. Otherwise, connect the fixture's ground wire directly to the mounting plate (C) using the green screw provided. After wires are connected, tuck them carefully into the ceiling outlet box.

COMPLETING THE INSTALLATION (Fig. 1)

9. Place the ceiling pan (I) onto the mounting screws (A) and secure with the cap nuts (M).
10. Thread the nipple (L) to coupling (J) and tighten with hex nut (K).
11. Secure cup (Q) into the nipple (L). Then through glass shield (R) into the nipple (L) and secure glass shield (R) into the cup by using screws (S). (Please clamp the glass shield by using a glass clip).
12. Place plastic gasket (L) over the nipple (L) and tighten with finial (U).

CAUTION/ATTENTION: When handling the fixture, do not apply pressure to the LEDs. Hold the fixture by the base or ceiling pan (I) only.

Replacing LED module (Fig.3)

The LED module can be replaced by a qualified electrician without cutting the wires and without damaging the decorative element to which the fixture is attached. See installation steps for more details (Fig.3)

Warning: Turn off power at the fuse box or circuit breaker before replacing the LED module.

- a. Loosen finial (U) and remove the plastic washer (T).
- b. Loosen screws (S) and remove the glass shield (R).
- c. Remove the cup (Q), then loosen screws (X) and carefully remove the led module (W) from the ceiling pan (I).
- d. Use a pin to press from the hole of the quick connector and disconnect the black/white wire respectively.
- e. Reverse steps a-d for installing the new LED module.

Note: The LED module should be provided by a specified supplier.

IMPORTANT: Fixture should be installed by a qualified electrician to ensure proper wiring and installation.

Dimmable with ELV and/or LED compatible wall dimmer switches.

Fig. 1

Set#

- Circular Strap
- Ground Screw
- Mounting Screw*2

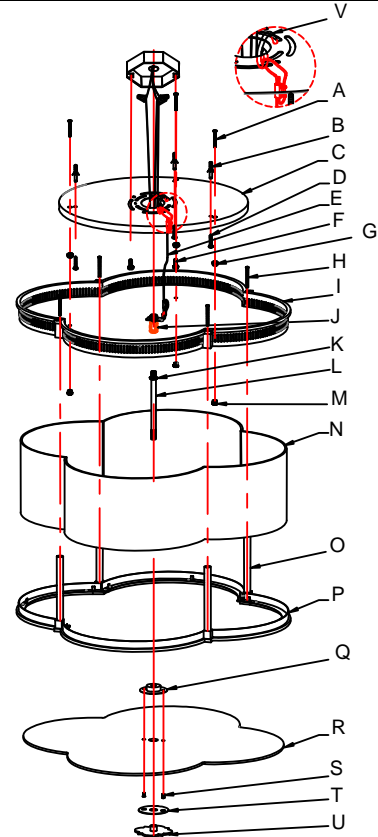


Fig.2

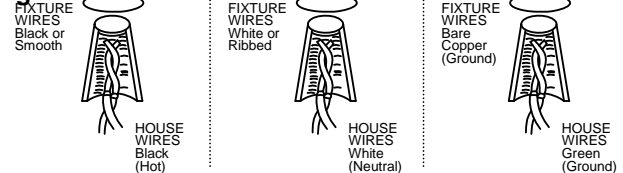
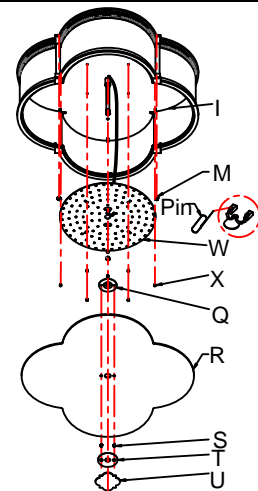


Fig.3



LA-2949E

MIN 90°C SUPPLY CONDUCTORS