

INSTALLATION INSTRUCTIONS

Item# 4346-593

READ AND SAVE THESE INSTRUCTIONS

WARNING! SHUT POWER OFF AT FUSE OR CIRCUIT BREAKER.

AVERTISSEMENT! COUPER LE COURANT AU NIVEAU DES FUSIBLES OU DU DISJONCTEUR.

ASSEMBLING THE FIXTURE (Fig.2)

1. Shut off the power at the fuse box or circuit breaker. If necessary, remove the existing fixture and its mounting hardware from the ceiling.
2. Carefully remove the new fixture from the carton and check that all parts are included as shown in the illustration.
3. Attach the acrylic ball (H) to the fixture body (G) by turning it clockwise until tight.
4. Install the light bulbs (not included) in accordance with the fixture's specifications: **DO NOT EXCEED THE MAXIMUM WATTAGE RATING! (NE PAS DEPASSER LA PUISSANCE NOMINALE MAXIMALE!)**

HANGING THE FIXTURE (Fig.1)

5. Using a pair of chain pliers, open one end link of the chain and connect to the fixture loops (F). Then close the link.
6. Carefully lace the fixture wires through the chain.
7. By measuring, determine the correct number of links needed for the desired hanging height. Using the chain pliers disconnect and discard the excess chain.
8. Open the other end link of the chain and attach it to the canopy loops (E). Then close the link.
9. Loosen screws (D) and separate mounting plate (A) from canopy (C).
10. Attach the mounting plate (A) to the junction box using the mounting screws (B) (size: #8-32N*L0.5"). The side of mounting plate (A) marked "GND" must face out.

CONNECTING THE WIRES (Fig.3)

11. Securely attach the hook (I) of the safety cable onto the slots of mounting plate (A) as shown in (Fig.4). Now the fixture can be supported by the safety cable.
12. At this point, connect the electrical wires as shown in figure 3, making sure that all wire connectors are secured. If your outlet has a ground wire (green or bare copper), connect the ground wires from the hanger ball and mounting plate to it. Otherwise, connect the ground wire from the hanger ball directly to the mounting plate ground wire and secure with the wire connectors provided. After wires are connected, tuck them carefully into the ceiling junction box.

COMPLETING THE INSTALLATION (Fig. 1)

13. Align the canopy (C) over the mounting plate (A) and secure with screws (D).

Your installation is now complete. Return power to the junction box and test the fixture.

Note: Illustration (Fig.1) (Fig.2) on this manual is for installation purposes only. It may or may not be identical to the fixture purchased.

CHAIN HUNG FIXTURE INSTRUCTION

Notice: It is important to use proper chain pliers (not included) To OPEN and CLOSE the chain included with this fixture. Do not open them with other tools that may twist or stress the chain links. It is important to use proper chain pliers like the ones shown in the diagram.

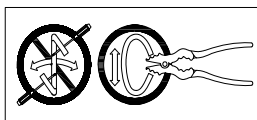


Fig. 1

Set# A-021-130105
- Mounting Plate
- Ground Screw
- Mounting Screw*2

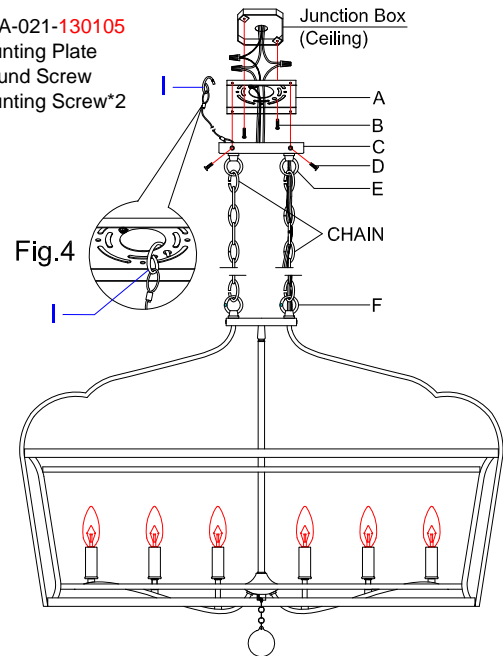
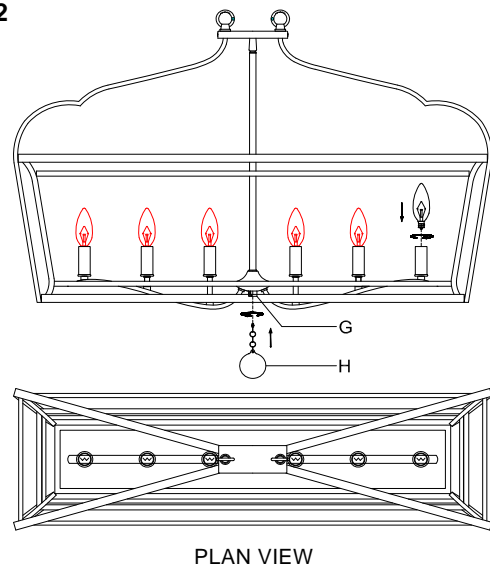


Fig. 2



Chain # [HCH2072-593](#)

Gauge [D3.8mm](#)

Fig. 3

