



# SERVICE PARTS LIST

**BULLETIN NO.**  
**54-06-7000**

SPECIFY CATALOG NO. AND SERIAL NO. WHEN ORDERING PARTS		REVISED BULLETIN	DATE
<b>CORDLESS 28 VOLT WORKLIGHT</b>			Jan. 2012
<b>CATALOG NO. 49-24-0185</b>	STARTING SERIAL NO. <b>A61A</b>	WIRING INSTRUCTION <b>See Page 2 (A61A version)</b>	
	STARTING SERIAL NO. <b>C44A</b>	<b>None (C44A version)</b>	

**There are two designs of the 49-24-0185 (28 Volt Worklight). Service info for serial number A61A is depicted on pages 1 and 2. Service info for serial number C44A is depicted on page 3.**

**EXAMPLE:**  
Component Parts (Small #) Are Included When Ordering The Assembly (Large #).

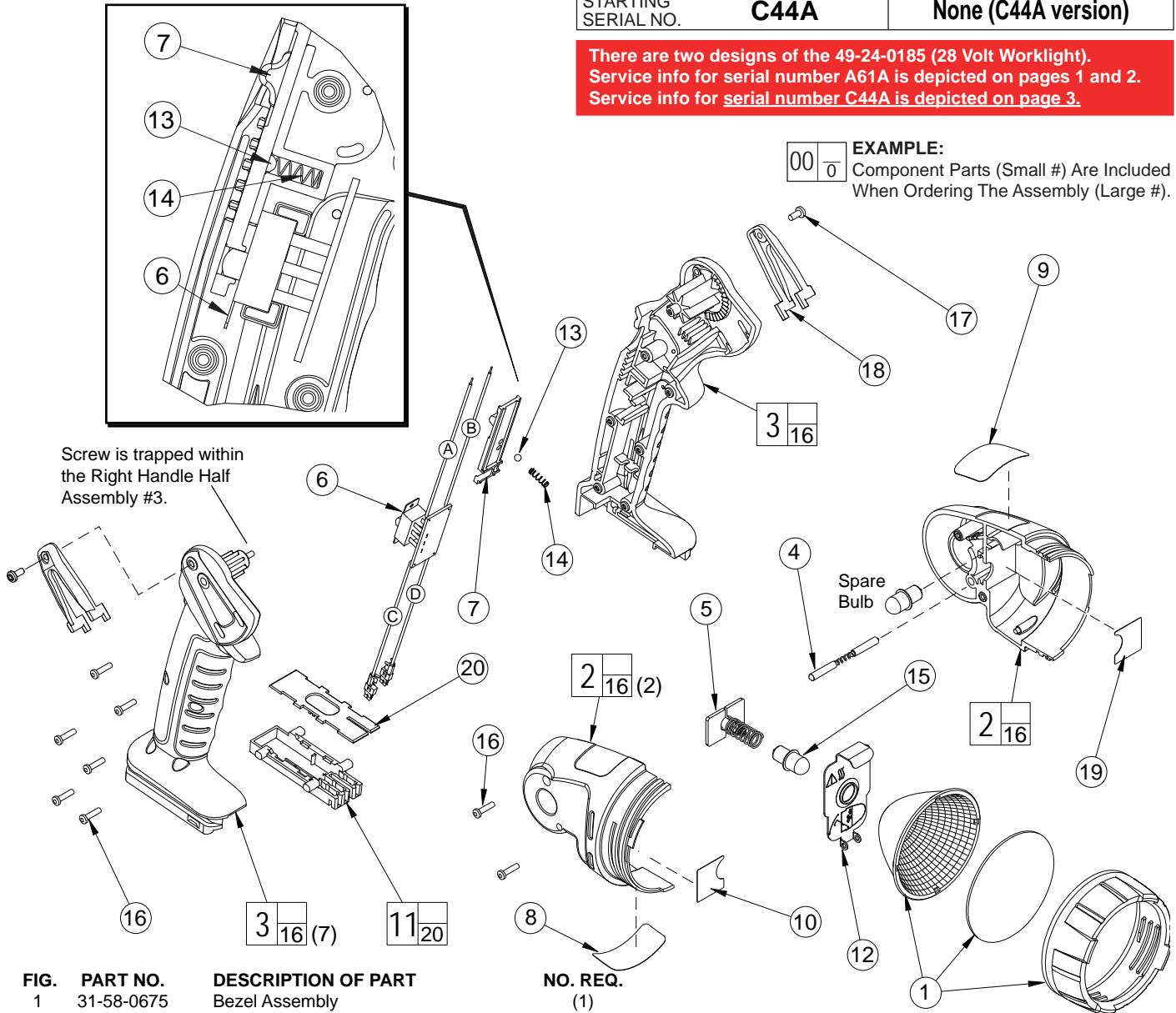
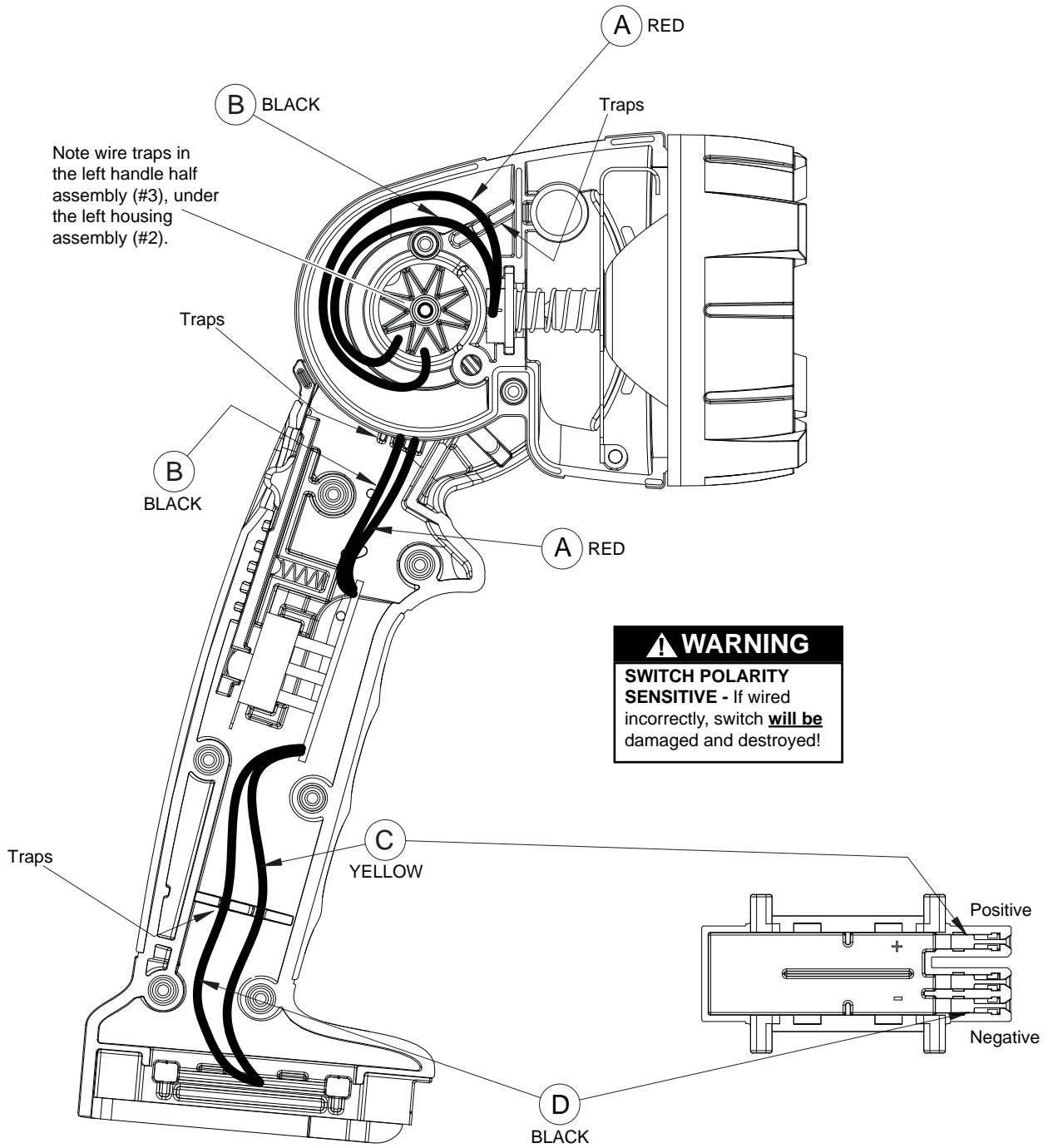


FIG.	PART NO.	DESCRIPTION OF PART	NO. REQ.
	1	31-58-0675 Bezel Assembly	(1)
	2	31-50-3290 Housing Assembly	(1)
	3	31-44-2815 Handle Half Assembly	(1)
	4	44-60-0885 Detent Assembly	(1)
	5	22-58-0305 Contact Assembly	(1)
	6	22-09-0285 Switch Assembly	(1)
	7	45-24-0835 Slide Switch	(1)
	8	12-20-1185 Service Nameplate	(1)
	9	----- Product Label	(1)
	10	10-15-0485 Warning Label - Bulb	(1)
	11	22-56-1185 Connector Block Assembly	(1)
	12	23-02-0176 Heat Sink Assembly	(1)
	13	02-02-1100 4mm Ball	(1)
	14	40-50-0930 Compression Spring	(1)
	15	49-81-0040 28 Volt Lightbulb (Pkg. of 2)	(1)
	16	06-82-7225 #4-20 x .50 Plastite T-20 Screw	(8)
	17	06-82-5275 6-32 x 5/16" Pan Hd. T-15 Screw	(2)
	18	43-72-0300 Belt Clip Holder	(2)
	19	----- Warning Label	(1)
	20	----- Connector Block Cover	(1)

**⚠ WARNING**  
**SWITCH POLARITY SENSITIVE**  
If wired incorrectly, switch **will be** damaged and destroyed!  
**See reverse side of bulletin for switch wiring detail.**

**NOTE:** The use of a soft cloth is recommended when installing lightbulbs. Direct contact with oils or other contamination can shorten the life of lightbulbs.

**FIG. NOTES:**  
11,20 Concave side of connector block cover to face connector block.



WIRING SPECIFICATIONS				
Wire	Wire Color	Origin or Gauge	Length	Terminals, Connectors and 1 or 2 End Wire Preparation
A	Red	-----	-----	Component of the Switch Assembly. 22-09-0285.
B	Black	-----	-----	Component of the Switch Assembly. 22-09-0285.
C	Yellow	-----	-----	Component of the Switch Assembly. 22-09-0285.
D	Black	-----	-----	Component of the Switch Assembly. 22-09-0285.

**BULK LEAD WIRE - BULLETIN NO. 58-01-0003**

TERMINAL DESCRIPTION		
Code	Part No.	Qty.



# SERVICE PARTS

BULLETIN NO.

SPECIFY CATALOG NO. AND SERIAL NO. WHEN ORDERING PARTS		REVISED BULLETIN	DATE
<b>CORDLESS 28 VOLT WORKLIGHT</b>			
CATALOG NO. <b>49-24-0185</b>	STARTING SERIAL NO.	<b>C44A</b>	
		WIRING INSTRUCTION <b>None</b>	

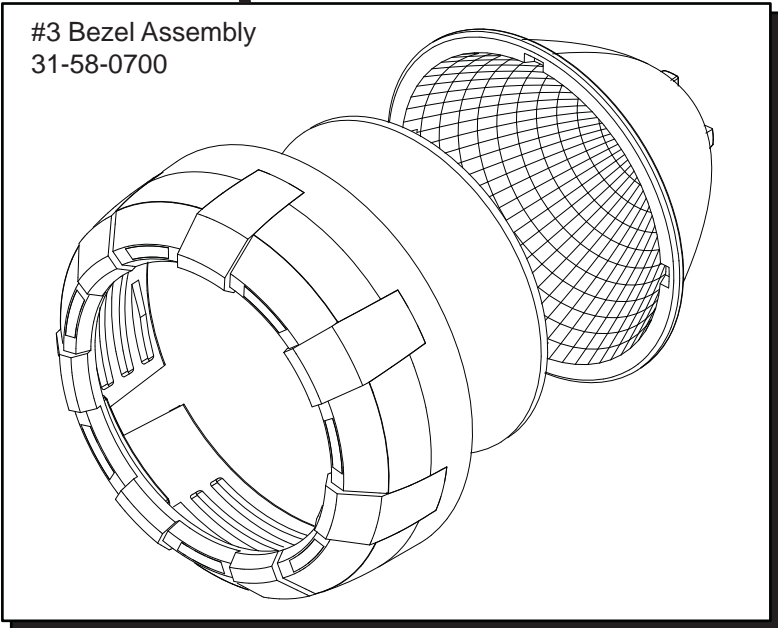
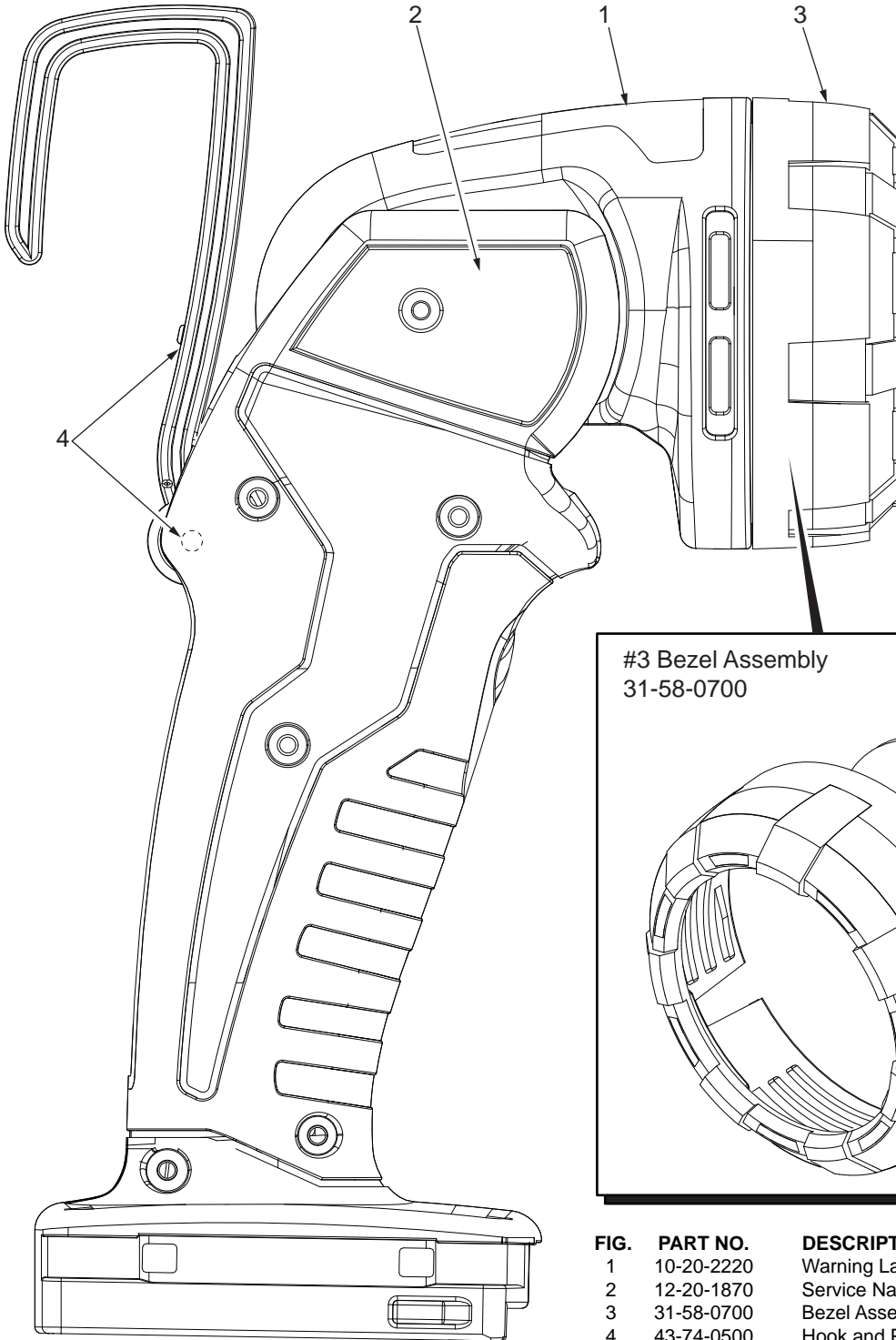


FIG.	PART NO.	DESCRIPTION OF PART	NO. REQ.
1	10-20-2220	Warning Label	(1)
2	12-20-1870	Service Nameplate	(1)
3	31-58-0700	Bezel Assembly	(1)
4	43-74-0500	Hook and Pivot Pin Assembly	(1)
5	49-81-0040	28 Volt Lightbulb (Pkg. of 2)	(1)

**FIG. NOTES**

1,2 A clean, dry surface is essential for proper performance for any adhesive system. The area intended for application of any adhesive label or nameplate must be prepared by cleaning with isopropyl alcohol. The solvent is to be applied with a clean, lint free applicator and the surface allowed to dry before applying the label or nameplate.

5 **NOTE:** The use of a soft cloth is recommended when installing lightbulbs. Direct contact with oils or other contamination can shorten the life of light bulbs.