

DA 6698 D Puristic Version 6000

Island décor hood

with energy-efficient LED lighting and touch controls for simple operation.



- Family design – based on Miele built-in appliances
- Unique user convenience – Con@ctivity
- Powerful – ?? on the booster setting
- Energy-efficient and quiet
- Energy-efficient and quiet

EAN: 4002516024675 / Material number: 10877240 / Old Material Number: 28669845USA

Construction type	
Island ventilation hood	•
Operating modes	
Recirculated mode	Convertible
Recirculation conversion kit (order separately)	DUI 32
OdorFree charcoal filter (order separately)	DKF 12-P
Design	
Color	Obsidian black
Variable height available as special order	•
Control panel	
Miele@home	•
Electronic controls	•
Power levels (number excl. Intensive)	3
Touch controls	•
Programmable Intensive switch-off	•
Delayed shutdown for 5 or 15 minutes	•
Grease filter saturation indicator	•
Programmable grease filter saturation indicator	•
Programmable charcoal filter saturation indicator	•
Acoustic package	•
Cleaning convenience	
Easy to clean canopy interior CleanCover	•
Filter system	
Number of dishwasher-safe stainless-steel grease filters	3
Lighting	
LED	•
Number x W	4 x 3 W
Light intensity in lx	820 lx
Color temperature in K	3500 Kelvin
Light dimmer function	•
Blower	
Dual-action blower	•
AC motor	•
Extraction	
Air throughput	Values upon request
Safety	
Safety shut-off	•
Single-ply safety glass (ESG)	•
Technical data	
Canopy width in in.(mm)	35 3/8 (898)
Overall min. height for vented and external in in. (mm)	27 7/8 (705)
Overall max. height for vented and external in in. (mm)	39 5/8 (1005)
Canopy height in in.(mm)	3 3/8 (85)
Overall min. height for recirculation in in. (mm)	30 1/8 (765)
Canopy depth in in.(mm)	23 5/8 (598)
Overall max. height for recirculation in in. (mm)	42 3/8 (1075)
Minimum height above electric hobs in mm	24 1/8 (610)
Minimum height above gas hobs (max. 12.6 kW total power, burner ≤ 4.5 kW) in mm	26 (660)
Net weight in lbs. (kg)	78 (35.0)

DA 6698 D Puristic Version 6000

Island décor hood

with energy-efficient LED lighting and touch controls for simple operation.



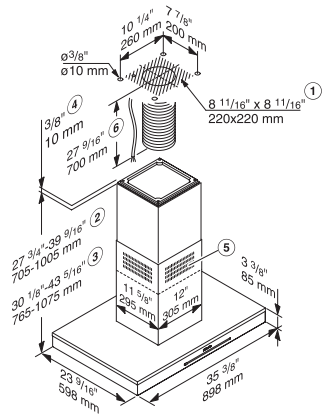
EAN: 4002516024675 / Material number: 10877240 / Old Material Number: 28669845USA

Length of electrical wire in ft (m)	0 (0.0)
Hard-wired	•
Total connected load in kW	0.36
Voltage in V	120
Fuse rating in A	15
Number of phases	1
Frequency in Hz	60
Installation notes	
Vent connection at top	•
Diameter of vent connection in in.(mm)	6 (150)
Telescopic chimney	•
Accessories supplied	
Communication module for Con@ctivity XKM 2000 DA	XKS 3000 Z
Non-return flap	•
Optional accessories	
OdorFree charcoal filter	DKF 12-900

DA 6698 D Puristic Version 6000

Island décor hood

with energy-efficient LED lighting and touch controls for simple operation.



DA 6698 D, CLST (Installation drawing) – USA

1) Extraction cut-out, 2) Extraction, 3) Recirculation, 4) Installation option with spacer frame, 5) Ventilation grille at the top for recirculation, 6) A mains cable and, for extraction mode, flexible exhaust ducting is required from the ceiling connection to the connection on the cooker hood., ,