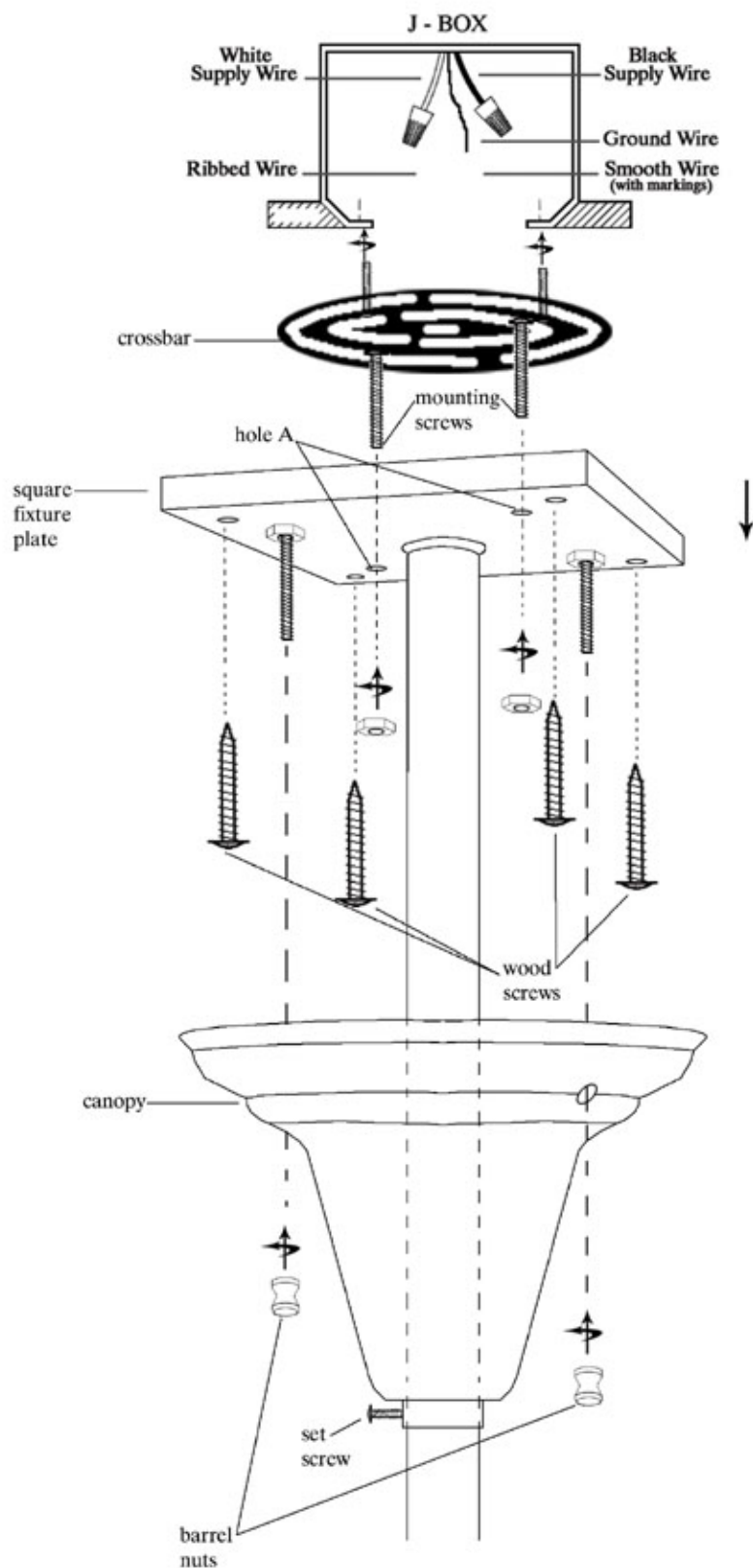


ASSEMBLY INSTRUCTIONS FOR #72054



IMPORTANT

TURN OFF THE POWER AT THE MAIN FUSE OR CIRCUIT BREAKER BOX BEFORE STARTING INSTALLATION

CAREFULLY UNPACK AND IDENTIFY ALL PARTS BEFORE ASSEMBLY. BULBS ARE NOT INCLUDED

1. Attach mounting screws to crossbar, be sure that mounting screws line with holes A located on square fixture plate.
2. Attach crossbar to j-box.
3. Wire as per local electrical code.
4. Place fixture (square fixture plate) up and attach to mounting screws.
5. Using wood screws (4) attach fixture to structural beam.
6. Slide canopy up to ceiling and secure with barrel nuts and set screw.



"A Commitment to Excellence in Lighting and Service"

CALL OUR CUSTOMER SERVICE DEPARTMENT AT 1-800-222-4009

MONDAY - FRIDAY 8:00 a.m. - 6:00 p.m. ET

visit us on the web at www.meyda.com