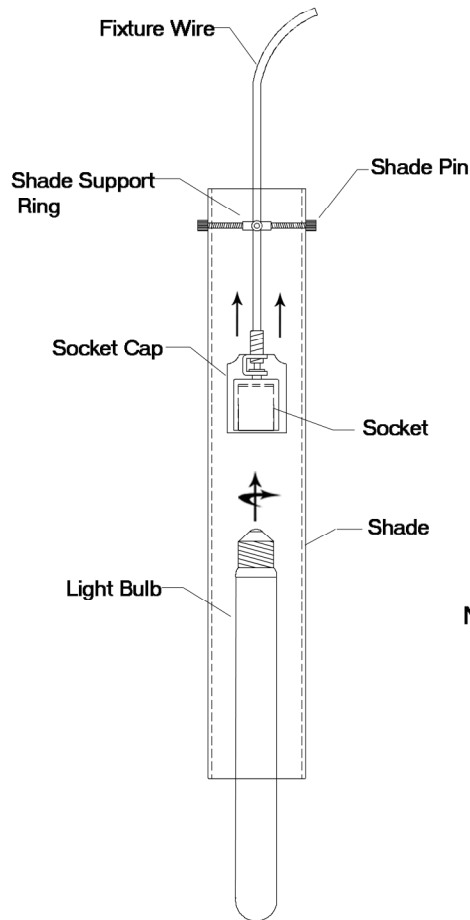
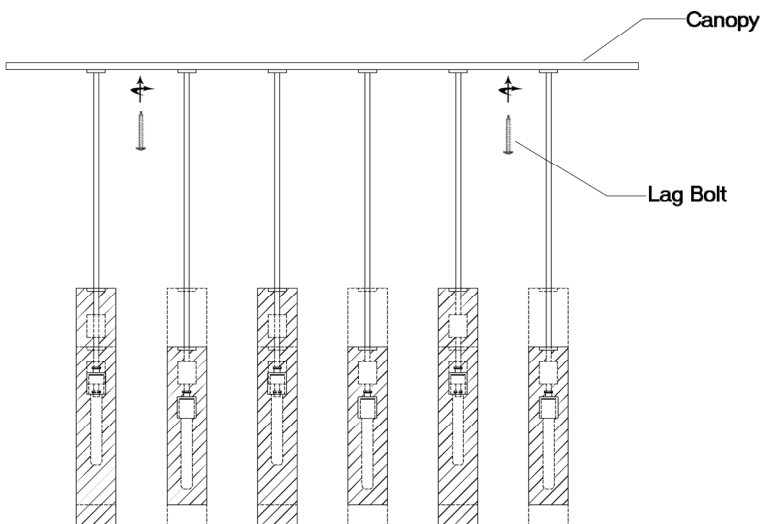
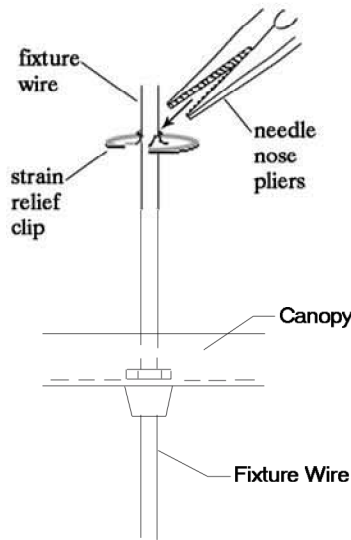


ASSEMBLY INSTRUCTIONS FOR #214340-6 (133568)



NOTE: This fixture contains
 (4) 18 inch clear frosted cylinders
 (4) 18 inch clear cylinders
 (5) 12 inch blue cylinders,
 (1) 12 inch clear cylinder
 (1) 12 inch clear frosted cylinder.



IMPORTANT

TURN OFF THE POWER AT THE MAIN FUSE OR CIRCUIT BREAKER BOX BEFORE STARTING INSTALLATION

CAREFULLY UNPACK AND IDENTIFY ALL PARTS BEFORE ASSEMBLY. BULBS ARE NOT INCLUDED

THIS FIXTURE WEIGHS OVER 50 LBS. NEC:314.27B, A luminaire that weighs more than 23kg (50lb) shall be supported independently of the outlet box unless the outlet box is listed AND MARKED for the MAXIMUM weight to be supported.

THIS IS A TWO PERSON JOB

- 1.) Feed electrical wires with sockets attached up shades and through shade support rings.
- 2.) Determine positioning of the different size and color cylinders.
- 3.) Place fixture wires up through canopy and determine each individual overall height from ceiling to bottom of cylinders.
- 4.) Add 1" to pre-determined fixture wire length and place strain relief clip onto wire at this location.
 (Leave enough wire to gather in center of canopy and attach to j-box)
- 4.) Using needle nose pliers, crimp strain relief clip onto fixture wire as shown.
- 5.) Consolidate all the loose fixture wires using wire nuts. (Utilize pigtail method)
- 6.) One person, carefully raise up canopy with all cylinders attached while second person wires fixture to j-box per local electrical code.
- 7.) Mount canopy to a secure location with customer supplied lag bolts.
- 8.) Slide each cylinder up fixture wires and screw in light bulbs.



"A Commitment to Excellence in Lighting and Service"

CALL OUR CUSTOMER SERVICE DEPARTMENT AT 1-800-222-4009

MONDAY - FRIDAY 8:00 a.m. - 6:00 p.m. ET

visit us on the web at www.meyda.com