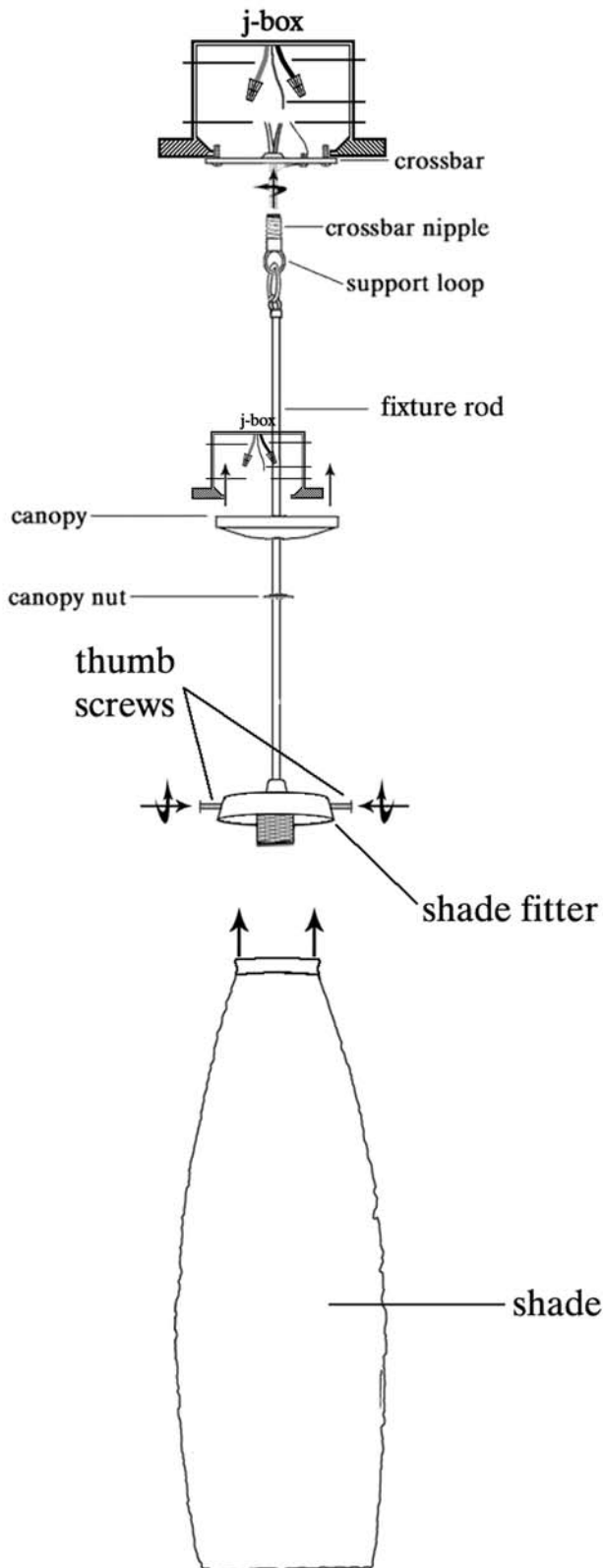


ASSEMBLY INSTRUCTIONS FOR #26984 (SG391-07R-2-M291)



IMPORTANT

TURN OFF THE POWER AT THE MAIN FUSE OR CIRCUIT BREAKER BOX BEFORE STARTING INSTALLATION

CAREFULLY UNPACK AND IDENTIFY ALL PARTS BEFORE ASSEMBLY. BULBS ARE NOT INCLUDED

1. Attach crossbar w/crossbar nipple to j box.
2. Place canopy nut, canopy on to fixture rod, attach fixture rod to support loop. Wire as per local electrical code. Slide canopy up to ceiling and secure with canopy nut. Place shade into shade fitter and secure with thumb screws.



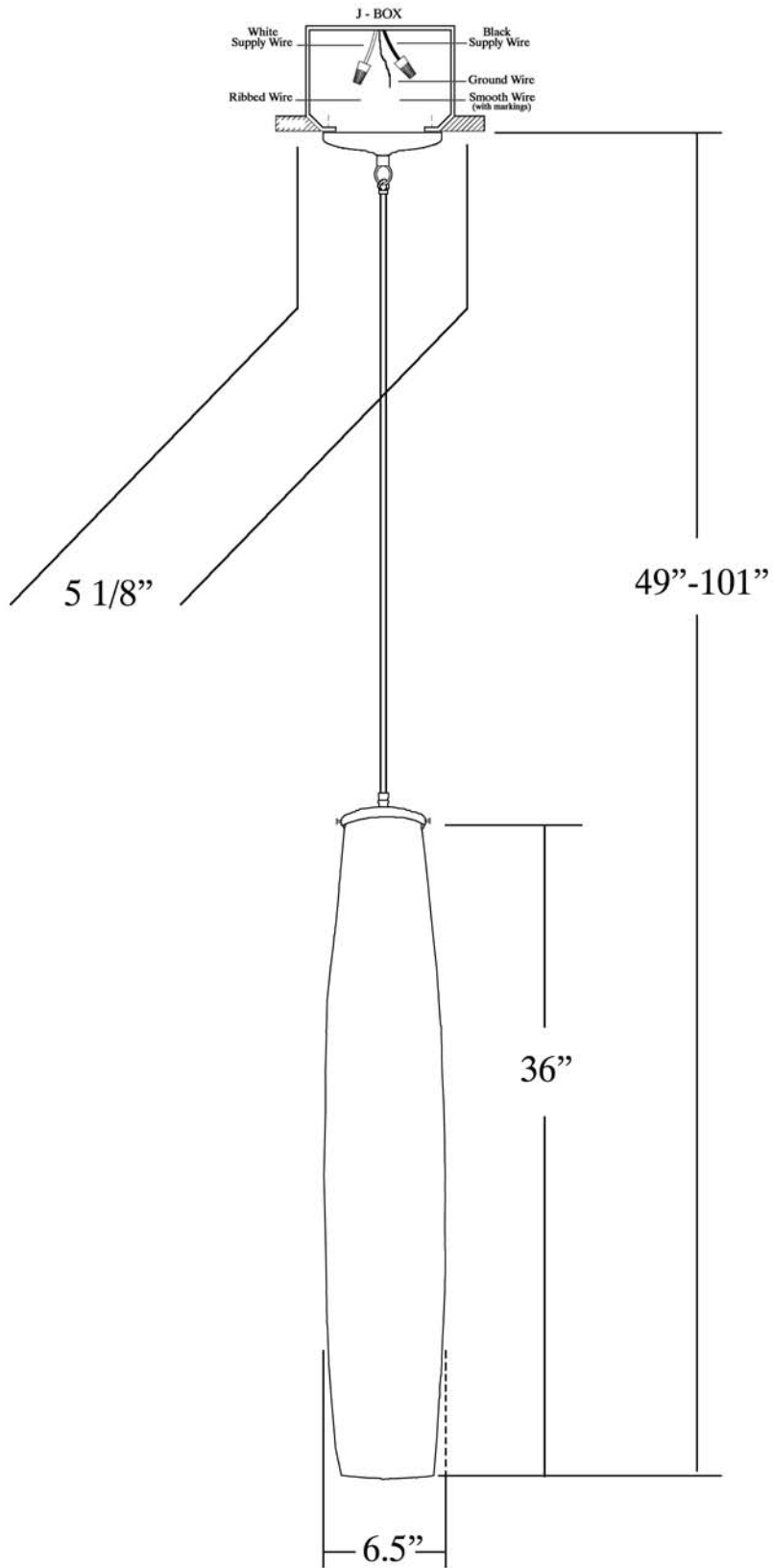
"A Commitment to Excellence in Lighting and Service"

CALL OUR CUSTOMER SERVICE DEPARTMENT AT 1-800-222-4009

MONDAY - FRIDAY 8:00 a.m. - 6:00 p.m. ET

visit us on the web at www.meyda.com

CUT SHEET, ITEM # 26983



DRAWN BY 244	WEIGHT 17 LBS	DATE 12/6/10	© MEYDA TIFFANY, INC. © DESIGN COPYRIGHT, MEYDA TIFFANY, INC. ALL RIGHTS RESERVED, NO UNAUTHORIZED DUPLICATION		
VOLTAGE 120	GLASS COLOR BEIGE,BLUE,TAN,BROWN		BULB # 1	DISCRPTION CHECKERS MINI PENDANT	PROJECT NUMBER SG391-07R-2-M291
FINISH MAHOGANY BRONZE			TYPE MEDIUM BASE-R20	DESIGN NUMBER SG391-07R-2-M291	
MATERIAL GLASS/BRASS			WATT 50	FIXTURE TYPE CEILING PENDANT	FINAL MODEL NUMBER 26984