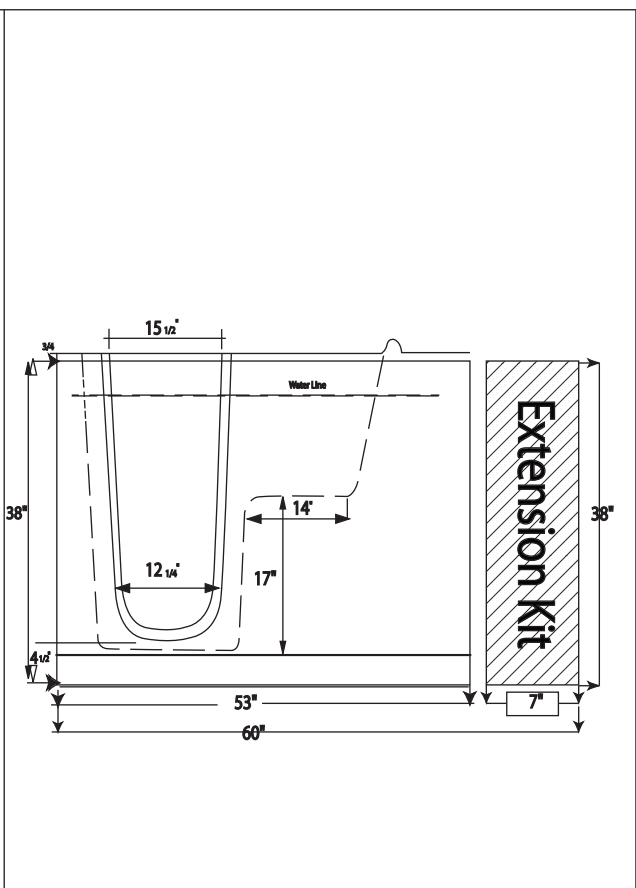
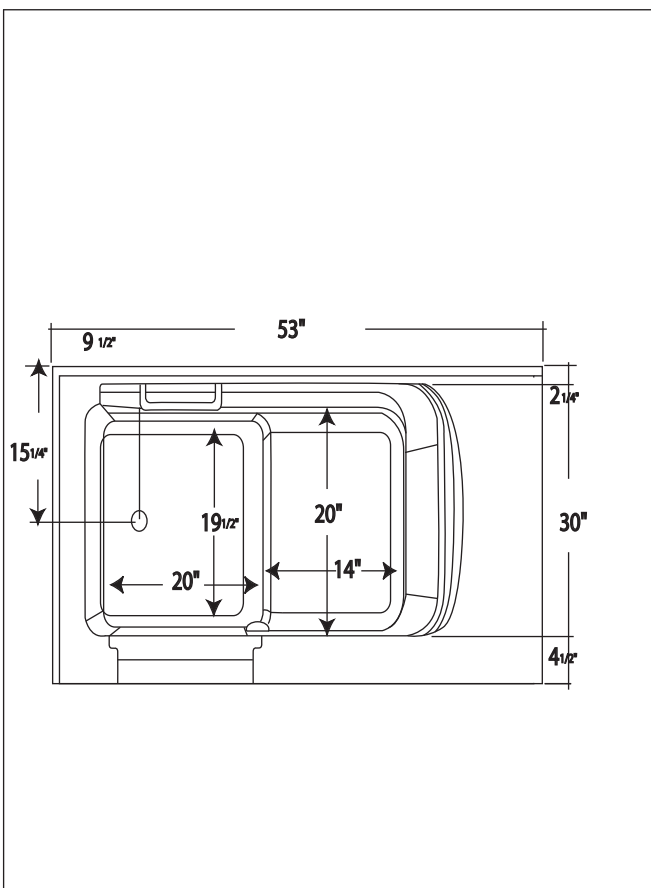




MediTub

Where Safety Meets Luxury



**UNLESS OTHERWISE SPECIFIED:
DIMENSIONS ARE IN INCHES
TOLERANCES:
FRACTIONAL: +/- 1/8"
ANGULAR: +/- 1/2"
TWO PLACE DECIMAL: xx = +/- 010
THREE PLACE DECIMAL: xxx = +/- 005**

TITLE: WALK IN BATH TUB

3053

CAPACITY/OPERATING LEVEL:	55 GAL	DATE	05/06/09	DWG. NO.	1	REV	D	
	APPROX. UNIT WEIGHT:	175 Lbs	DRAWN					OG
	APPROX. SHIPPING WEIGHT:	273 Lbs	CHECKED					JH

SKU VARIATIONS	
MT3053LWS	-Left, White, Soaker
MT3053RWS	-Right, White, Soaker
MT3053LBS	-Left, Biscuit, Soaker
MT3053RBS	-Right, Biscuit, Soaker
MT3053LWH	-Left, White, Hydro Therapy
MT3053RWH	-Right, White, Hydro Therapy
MT3053LBH	-Left, Biscuit, Hydro Therapy
MT3053RBH	-Right, Biscuit, Hydro Therapy
MT3053LWA	-Left, White, Air Bubble Massage
MT3053RWA	-Right, White, Air Bubble Massage
MT3053LBA	-Left, Biscuit, Air Bubble Massage
MT3053RBA	-Right, Biscuit, Air Bubble Massage
MT3053LWD	-Left, White, Dual Hydro & Air
MT3053RWD	-Right, White, Dual Hydro & Air
MT3053LBD	-Left, Biscuit, Dual Hydro & Air
MT3053RBD	-Right, Biscuit, Dual Hydro & Air

• **Phone: (866) 633-4882**
 • **Fax: (866) 560-1060**