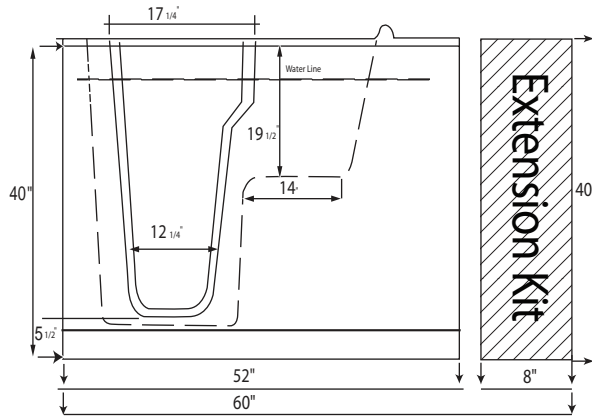
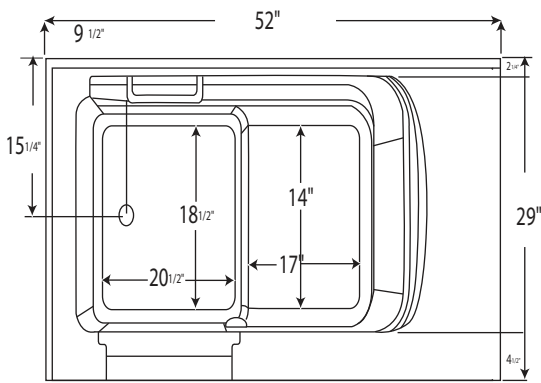




MediTub

Where Safety Meets Luxury



UNLESS OTHERWISE SPECIFIED:
 DIMENSIONS ARE IN INCHES
 TOLERANCES:
 FRACTIONAL: +/- 1/8"
 ANGULAR: +/- 1/2"
 TWO PLACE DECIMAL: xx = +/- 010
 THREE PLACE DECIMAL: xxx = +/- 005

TITLE: WALK IN BATH TUB

2952

CAPACITY/OPERATING LEVEL:	50 GAL	DATE	05/06/09	DWG. NO.	REV
APPROX. UNIT WEIGHT:	175 Lbs	DRAWN	OG	1	B
APPROX. SHIPPING WEIGHT:	265 Lbs	CHECKED	LG	SCALE: 1:1	SHEET 1 OF 1

SKU VARIATIONS

MT2952LWS
-Left, White, Soaker

MT2952RWS
-Right, White, Soaker

MT2952LBS
-Left, Biscuit, Soaker

MT2952RBS
-Right, Biscuit, Soaker

MT2952LWH
-Left, White, Hydro Therapy

MT2952RWH
-Right, White, Hydro Therapy

MT2952LBH
-Left, Biscuit, Hydro Therapy

MT2952RBH
-Right, Biscuit, Hydro Therapy

MT2952LWA
-Left, White, Air Bubble Massage

MT2952RWA
-Right, White, Air Bubble Massage

MT2952LBA
-Left, Biscuit, Air Bubble Massage

MT2952RBA
-Right, Biscuit, Air Bubble Massage

MT2952LWD
-Left, White, Dual Hydro & Air

MT2952RWD
-Right, White, Dual Hydro & Air

MT2952LBD
-Left, Biscuit, Dual Hydro & Air

MT2952RBD
-Right, Biscuit, Dual Hydro & Air

• Phone: (866) 633-4882

• Fax: (866) 560-1060