



# 5.0 cu. ft. Front Load Washer

## MHW8630H



Metallic Slate  
MHW8630HC

### Also available in:

White

**MHW8630HW**

## Key Features & Benefits

### Powerful Cleaning

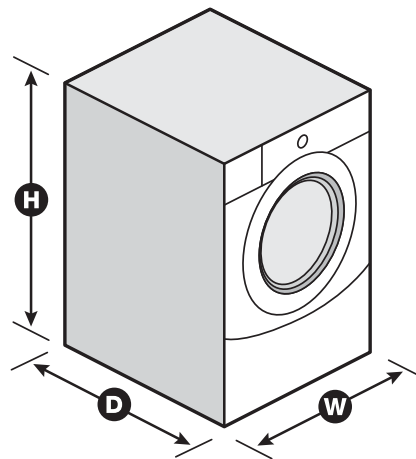
Most Powerful Cleaning in the industry\* driven by the Heavy Duty cycle with Extra Power button.

### Extra Power Button

Some stains dissolve best in hot water. Others in cold. With the push of a button, Maytag fights both in a single load. The Extra Power button boosts stain-fighting performance on any wash cycle with a dual-temperature wash.

### Smart Appliance

Stay in control and efficiently manage laundry from anywhere.\*\* Remotely start or stop your appliance and get end of cycle notifications so no load is left behind. Troubleshoot select issues to avoid unnecessary service calls and help ensure dependable performance, year after year. Get personalized tips to help you best clean your clothing and maximize the power of your Maytag® appliances.



## Capacity

Total 5.0 cu. ft.

## General Features & Properties

24 Hr Fresh Hold® Option

Optimal Dose Dispenser

Quick Wash Cycle

Sanitize Cycle

Maytag® Commercial Technology

10-Year Limited Parts Warranty† on the Direct Drive Motor and Stainless Steel Wash Basket

Remote Start

Cycle Notifications

Troubleshoot

## Electrical Details

Amps 15 or 20

Volts 120

## Certifications

ADA Compliant Yes

ENERGY STAR® Certified Yes

Connected/Smart Appliance Yes

## Technical Details

Drum Material Stainless Steel

Control Location Front

Control Type Knobs

Number of Cycles 14

Washer Cycle Selections  
 Bulky Items  
 Clean Washer with affresh® Colors  
 Custom Cycle  
 Delicates  
 Drain & Spin  
 Heavy Duty  
 Normal  
 Overnight Wash & Dry (12hr)  
 Quick Wash  
 Sanitize  
 Towels  
 Whites  
 Wrinkle Control

Number of Options 10

Washer Option Selections  
 Delay Wash  
 Extra Power / Boost Option  
 Remote Enable  
 Steam Clean

## Dimensions

Product Dimensions (H x W x D) 38-5/8" x 27" x 32-15/16"

Depth with Door Open 90° 52-15/16"

## Reference Material

[Install Guide](#)

[Use & Care Guide](#)

[Energy Guide](#)

[Warranty](#)

\*Models with Extra Power option: MHW8630H, MHW6630H, MHW5630H. Based on cleaning score of a 20-lb load, among leading front load brands, Heavy Duty cycle plus Extra Power vs. comparable cycles and options. \*\*Appliance must be set to remote enable. WiFi & App Required. Features subject to change. Details and privacy info at maytag.com/connect. †Visit maytag.com for warranty details. NOTE: Dimensions are for planning purposes only. For complete details, see Installation Instructions packed with product. Specifications subject to change without notice.



# 7.3 cu. ft. Smart Front Load Electric Dryer

## MED8630H



Chrome Shadow  
MED8630HC

### Also available in:

White

**MED8630HW**

### Key Features & Benefits

#### Extra Power Button

The Extra Power button boosts drying power on any cycle by extending time, heat and tumbling. One push helps prevent underdrying by getting thick fabrics, pockets and seams drier the first time.\*

#### Smart appliance

Stay in control and efficiently manage laundry from anywhere.\*\* Remotely start or stop your appliance and get end of cycle notifications so no load is left behind. Troubleshoot select issues to avoid unnecessary service calls and help ensure dependable performance, year after year. Get personalized tips to help you best clean your clothing.

#### Steam-Enhanced Dryer

These dryers use steam to help prevent wrinkles so your clothes come out looking their best. Look for steam-enhanced cycles and options to help prevent wrinkles, refresh clothes and reduce static.

### Capacity

Total 7.3 cu. ft.

### General Features & Properties

Advanced Moisture Sensing with industry-exclusive extra moisture sensor

Quick Dry Cycle

Maytag® Commercial Technology

Sanitize Cycle

10-Year Limited Parts Warranty† on the Drive Motor and Drum

Remote start

Cycle notifications

Troubleshoot

Smart Grid Compatible (U.S. only)

### Electrical Details

Hz 60

Amps 30

Volts 240

### Certifications

ADA Compliant Yes

ENERGY STAR® Certified Yes

Connected/Smart Appliance Yes

### Technical Details

Drum Material Stainless Steel

Fuel Type Electric

Door Style Side Swing

Reversible Door Yes

Number of Dryer Cycles 14

Selection of Drying Cycles  
Bulky Items  
Delicates  
Heavy Duty  
Normal  
Quick Dry  
Regular  
Sanitize  
Steam Refresh  
Timed Dry  
Towels  
Whites  
Wrinkle Control

Dryer Option Selections  
Control Lock  
Cycle Signal  
Reduce Static  
Remote Enable  
Steam  
Wrinkle Prevent  
Wrinkle Prevent w/Steam

### Dimensions

Product Dimensions (H x W x D) 38-1/8" x 27" x 30-11/16"

Depth with Door Open 90° 50-11/16"

Maximum Vent Length 64'

Venting Direction Left, Right, Bottom, Rear

Ventless No

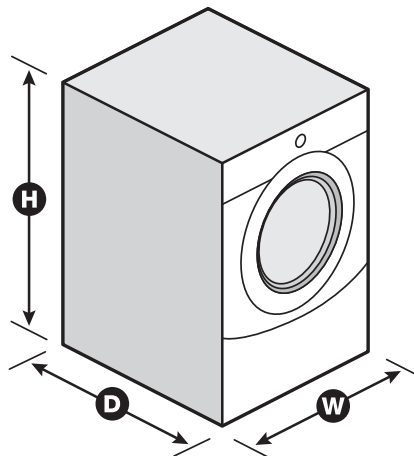
### Reference Material

[Install Guide](#)

[Use & Care Guide](#)

[Energy Guide](#)

[Warranty](#)



\*Results may vary based on load size and type. \*\*Appliance must be set to remote enable. WiFi & App Required. Features subject to change. Details and privacy info at maytag.com/connect. †Visit maytag.com for warranty details. NOTE: Dimensions are for planning purposes only. For complete details, see Installation Instructions packed with product. Specifications subject to change without notice.

# FRONT LOAD WASHER AND DRYER PEDESTAL

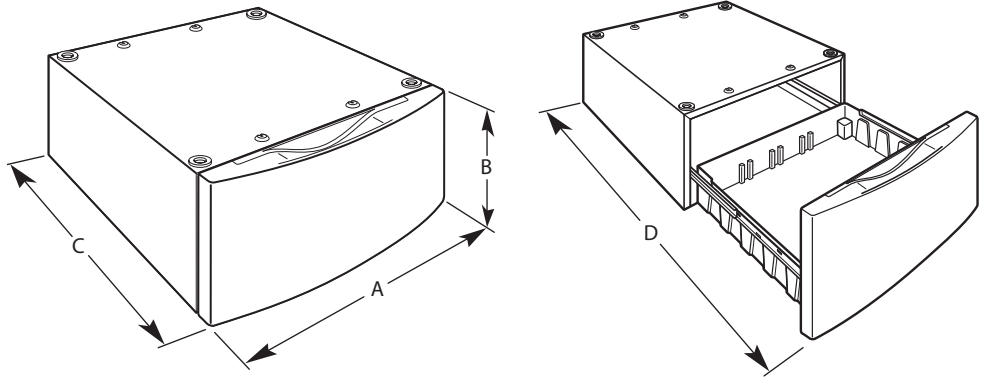
## PRODUCT MODEL NUMBERS

XHPC155XG      XHPC155YC  
 XHPC155XL      XHPC155WW  
 XHPC155XR      XHPC155YU  
 XHPC155XW      XHPW155DW

## LOCATION REQUIREMENTS

If the washer/dryer and pedestal assembly are located in a garage, 3" (76 mm) must be added under the pedestal so that the washer/dryer is 18" (458 mm) above the garage floor.

## PRODUCT DIMENSIONS



Width - "A"	Height - "B"	Depth - includes drawer "C"	Depth - Drawer open "D"
27" (686 mm)	15" (381 mm)	27½" (699 mm)	41½" (1054 mm)