



5.0 cu. ft. Front Load Washer

MHW8630H



Metallic Slate
MHW8630HC

Also available in:

White

MHW8630HW

Key Features & Benefits

Powerful Cleaning

Most Powerful Cleaning in the industry* driven by the Heavy Duty cycle with Extra Power button.

Extra Power Button

Some stains dissolve best in hot water. Others in cold. With the push of a button, Maytag fights both in a single load. The Extra Power button boosts stain-fighting performance on any wash cycle with a dual-temperature wash.

Smart Appliance

Stay in control and efficiently manage laundry from anywhere.** Remotely start or stop your appliance and get end of cycle notifications so no load is left behind. Troubleshoot select issues to avoid unnecessary service calls and help ensure dependable performance, year after year. Get personalized tips to help you best clean your clothing and maximize the power of your Maytag® appliances.

Capacity

Total 5.0 cu. ft.

General Features & Properties

24 Hr Fresh Hold® Option

Optimal Dose Dispenser

Quick Wash Cycle

Sanitize Cycle

Maytag® Commercial Technology

10-Year Limited Parts Warranty† on the Direct Drive Motor and Stainless Steel Wash Basket

Remote Start

Cycle Notifications

Troubleshoot

Electrical Details

Amps 15 or 20

Volts 120

Certifications

ADA Compliant Yes

ENERGY STAR® Certified Yes

Connected/Smart Appliance Yes

Technical Details

Drum Material Stainless Steel

Control Location Front

Control Type Knobs

Number of Cycles 14

Washer Cycle Selections
Bulky Items
Clean Washer with affresh® Colors
Custom Cycle
Delicates
Drain & Spin
Heavy Duty
Normal
Overnight Wash & Dry (12hr)
Quick Wash
Sanitize
Towels
Whites
Wrinkle Control

Number of Options 10

Washer Option Selections
Delay Wash
Extra Power / Boost Option
Remote Enable
Steam Clean

Dimensions

Product Dimensions (H x W x D) 38-5/8" x 27" x 32-15/16"

Depth with Door Open 90° 52-15/16"

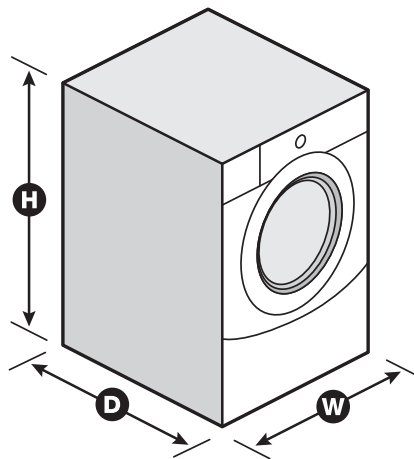
Reference Material

[Install Guide](#)

[Use & Care Guide](#)

[Energy Guide](#)

[Warranty](#)



*Models with Extra Power option: MHW8630H, MHW6630H, MHW5630H. Based on cleaning score of a 20-lb load, among leading front load brands, Heavy Duty cycle plus Extra Power vs. comparable cycles and options. **Appliance must be set to remote enable. WiFi & App Required. Features subject to change. Details and privacy info at maytag.com/connect. †Visit maytag.com for warranty details. NOTE: Dimensions are for planning purposes only. For complete details, see Installation Instructions packed with product. Specifications subject to change without notice.



7.3 cu. ft. Smart Front Load Electric Dryer

MED8630H



Chrome Shadow
MED8630HC

Also available in:

White

MED8630HW

Key Features & Benefits

Extra Power Button

The Extra Power button boosts drying power on any cycle by extending time, heat and tumbling. One push helps prevent underdrying by getting thick fabrics, pockets and seams drier the first time.*

Smart appliance

Stay in control and efficiently manage laundry from anywhere.** Remotely start or stop your appliance and get end of cycle notifications so no load is left behind. Troubleshoot select issues to avoid unnecessary service calls and help ensure dependable performance, year after year. Get personalized tips to help you best clean your clothing.

Steam-Enhanced Dryer

These dryers use steam to help prevent wrinkles so your clothes come out looking their best. Look for steam-enhanced cycles and options to help prevent wrinkles, refresh clothes and reduce static.

Capacity

Total 7.3 cu. ft.

General Features & Properties

Advanced Moisture Sensing with industry-exclusive extra moisture sensor

Quick Dry Cycle

Maytag® Commercial Technology

Sanitize Cycle

10-Year Limited Parts Warranty† on the Drive Motor and Drum

Remote start

Cycle notifications

Troubleshoot

Smart Grid Compatible (U.S. only)

Electrical Details

Hz 60

Amps 30

Volts 240

Certifications

ADA Compliant Yes

ENERGY STAR® Certified Yes

Connected/Smart Appliance Yes

Technical Details

Drum Material Stainless Steel

Fuel Type Electric

Door Style Side Swing

Reversible Door Yes

Number of Dryer Cycles 14

Selection of Drying Cycles
Bulky Items
Delicates
Heavy Duty
Normal
Quick Dry
Regular
Sanitize
Steam Refresh
Timed Dry
Towels
Whites
Wrinkle Control

Dryer Option Selections
Control Lock
Cycle Signal
Reduce Static
Remote Enable
Steam
Wrinkle Prevent
Wrinkle Prevent w/Steam

Dimensions

Product Dimensions (H x W x D) 38-1/8" x 27" x 30-11/16"

Depth with Door Open 90° 50-11/16"

Maximum Vent Length 64'

Venting Direction Left, Right, Bottom, Rear

Ventless No

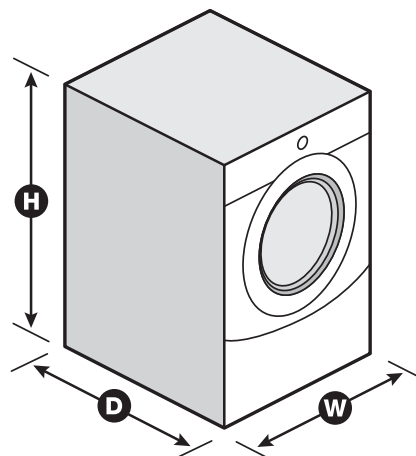
Reference Material

[Install Guide](#)

[Use & Care Guide](#)

[Energy Guide](#)

[Warranty](#)



*Results may vary based on load size and type. **Appliance must be set to remote enable. WiFi & App Required. Features subject to change. Details and privacy info at maytag.com/connect. †Visit maytag.com for warranty details. NOTE: Dimensions are for planning purposes only. For complete details, see Installation Instructions packed with product. Specifications subject to change without notice.