

WASHER INSTALLATION INSTRUCTIONS

INSTRUCTIONS D'INSTALLATION DE LA LAVEUSE

Table of Contents

WASHER SAFETY	1
INSTALLATION REQUIREMENTS.....	2
Tools and Parts.....	2
Location Requirements	3
Drain System	4
Electrical Requirements	5
INSTALLATION INSTRUCTIONS.....	5
Connect Drain Hose.....	6
Connect Inlet Hoses.....	7
Level Washer	8
Complete Installation Checklist.....	9

Table des matières

SÉCURITÉ DE LA LAVEUSE	10
EXIGENCES D'INSTALLATION	10
Outillage et pièces	10
Exigences d'emplacement	11
Système de vidange.....	14
Spécifications électriques.....	14
INSTRUCTIONS D'INSTALLATION	15
Raccordement du tuyau de vidange.....	16
Raccordement des tuyaux d'arrivée d'eau	17
Établissement de l'aplomb de la laveuse.....	19
Liste de vérification pour l'achèvement de l'installation	20

Para obtener acceso al instrucciones de instalación en español,
o para obtener información adicional acerca de su producto, visite: www.whirlpool.com.

INSTALLATION NOTES

Date of purchase: _____
Date of installation: _____
Installer: _____
Model number: _____
Serial number: _____

NOTES SUR L'INSTALLATION

Date d'achat : _____
Date d'installation : _____
Installateur : _____
Numéro de modèle : _____
Numéro de série : _____

WASHER SAFETY

Your safety and the safety of others are very important.

We have provided many important safety messages in this manual and on your appliance. Always read and obey all safety messages.



This is the safety alert symbol.

This symbol alerts you to potential hazards that can kill or hurt you and others.

All safety messages will follow the safety alert symbol and either the word "DANGER" or "WARNING."

These words mean:

⚠ DANGER

You can be killed or seriously injured if you don't immediately follow instructions.

⚠ WARNING

You can be killed or seriously injured if you don't follow instructions.

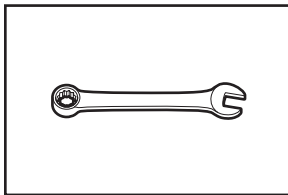
All safety messages will tell you what the potential hazard is, tell you how to reduce the chance of injury, and tell you what can happen if the instructions are not followed.

INSTALLATION REQUIREMENTS

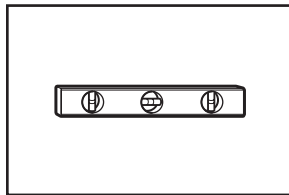
TOOLS AND PARTS

Gather required tools and parts before starting installation.

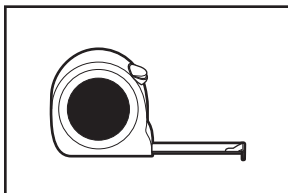
Tools needed:



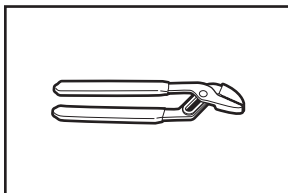
Adjustable or open-end wrenches 1/2" (13 mm), 5/8" (16 mm) and 9/16" (14 mm)



Level

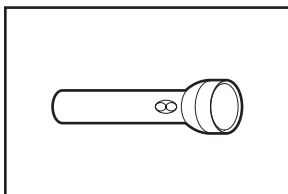


Ruler or measuring tape

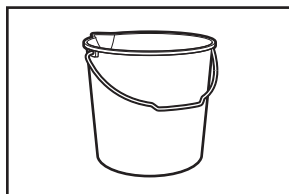


Pliers that open to 1 5/16" (39.5 mm)

Optional tools:

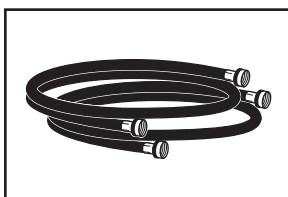


Flashlight

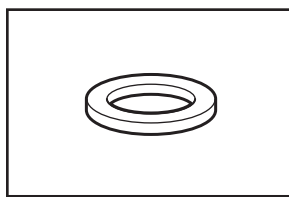


Bucket

Parts needed (not supplied with washer):



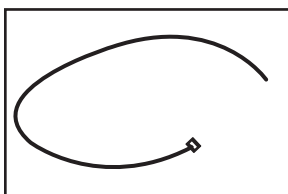
Water inlet hoses (2)



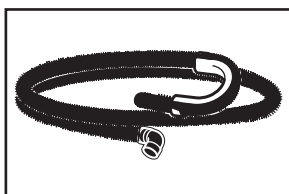
Flat inlet hose washers (4)

Parts supplied:

NOTE: All parts supplied for installation are in the washer basket.



Cable tie



Drain hose with clamp and form (may be shipped unassembled)

Available accessories:

An optional matching pedestal is available for your washer. Please contact your retailer for ordering information, or see the "Assistance or Service" page on the back of your Use and Care Guide.

Alternate parts (not supplied with washer):

Your installation may require additional parts. To order, please refer to toll-free numbers on the back page of your Use and Care Guide.

If you have:

Overhead sewer

You will need:

Standard 20 gal. (76 L) 39" (990 mm) tall drain tub or utility sink, sump pump and connectors (available from local plumbing suppliers)

Alternate inlet hoses (may be required for some installations, not supplied with washer):

- 8212656RP 10 ft. (3.0 m) Inlet hose, Black EPDM (2 pack)
- 8212641RP 5 ft. (1.5 m) Inlet hose, Black EPDM (2 pack)
- 8212546RP 4 ft. (1.2 m) Inlet hose, Black EPDM (2 pack)
- 8212545RP 5 ft. (1.5 m) Inlet hose, Red and Blue EPDM (2 pack)
- 8212487RP 5 ft. (1.5 m) Nylon braided inlet hose (2 pack)
- 8212638RP 6 ft. (1.8 m) Nylon braided inlet hose, space-saving 90° elbow, hypro-blue steel couplings (2 pack)

LOCATION REQUIREMENTS

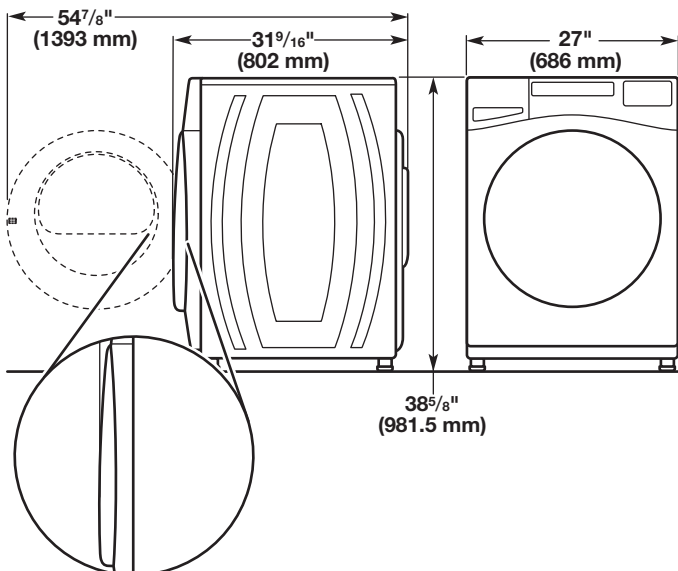
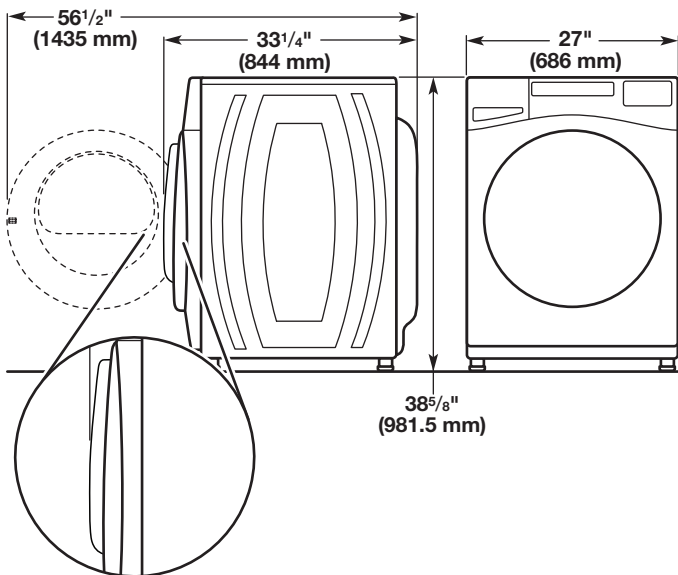
Proper installation is your responsibility.

You will need:

- A water heater set to 120°F (49°C).
- A grounded electrical outlet located within 6 ft (1.8 m) of power cord on back of washer.
- Hot and cold water faucets located within 4 ft (1.2 m) of hot and cold water fill valves on washer, and water pressure of 20–100 psi (137.9–689.6 kPa).
- A level floor with maximum slope of 1" (25 mm) under entire washer. Installing on carpet or surfaces with foam backing is not recommended.
- Floor must support washer's total weight (with water and load) of 315 lbs (143 kgs).

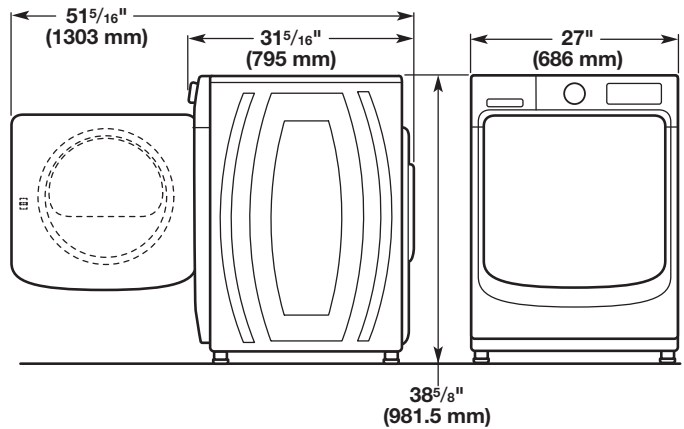
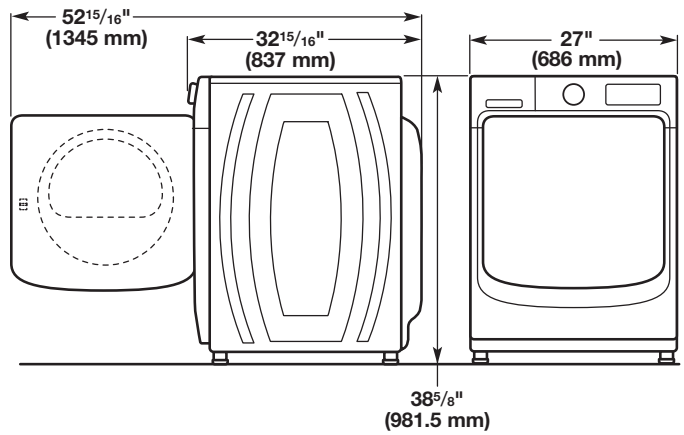
IMPORTANT: Do not install, store, or operate washer where it will be exposed to weather or in temperatures below 32°F (0°C). Water remaining in washer after use may cause damage in low temperatures. See "Washer Care" in your Use and Care Guide for winterizing information.

Whirlpool Models*



*For additional details (or information) specific to your model, refer to the 'Dimensions' listed for your model at www.whirlpool.com.

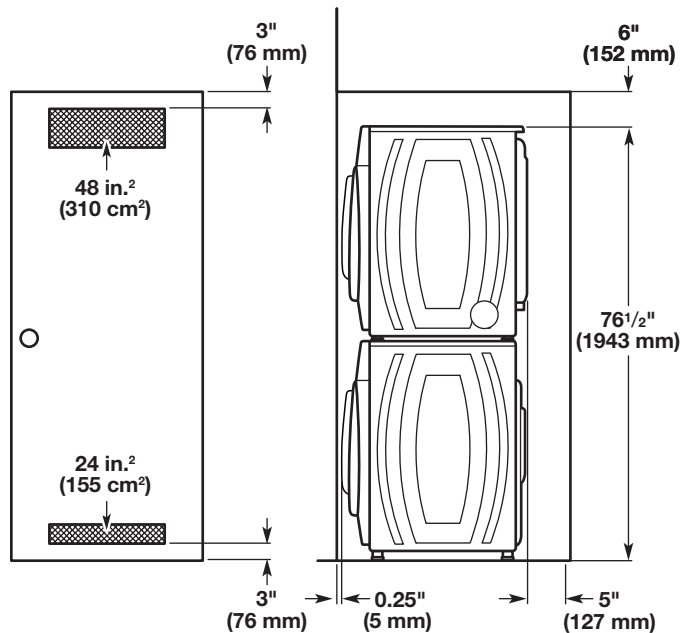
Maytag Models



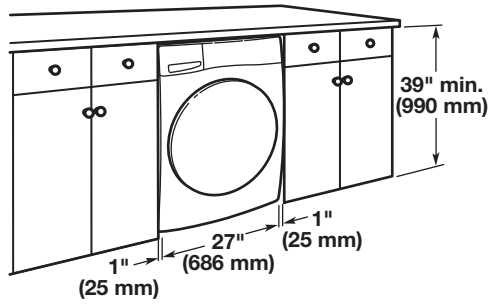
All dimensions show minimum spacing allowed. For each arrangement, consider allowing more space for ease of installation and servicing, and spacing for companion appliances and clearances for walls, doors, and floor moldings.

Space must be large enough to allow door to fully open. Add spacing of 1" (25 mm) on all sides of washer to reduce noise transfer. If a closet door or louvered door is installed, top and bottom air openings in door are required.

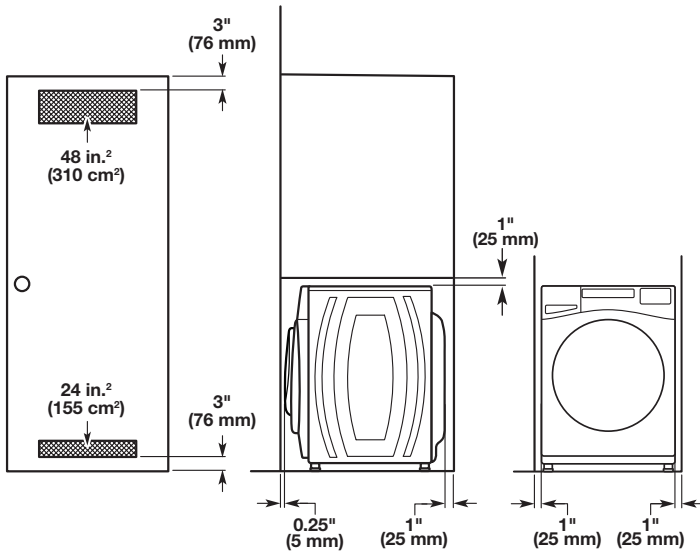
Recessed area or closet installation (stacked washer and dryer):



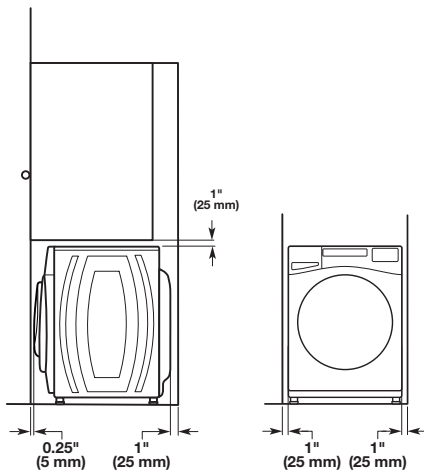
Custom under-counter installation:



Recessed area or closet installation:



Custom cabinet installation:

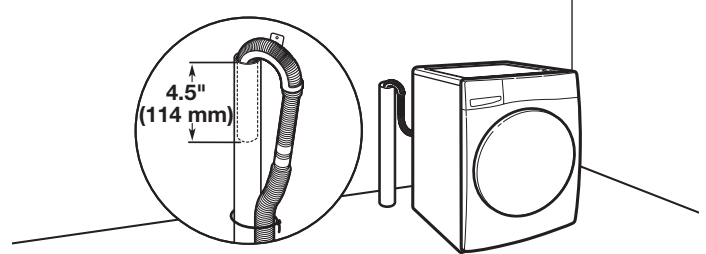


DRAIN SYSTEM

The drain system can be installed using a floor drain, wall standpipe, floor standpipe, or laundry tub. Select the method you need.

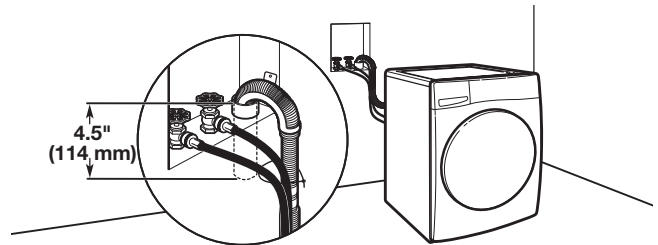
IMPORTANT: To avoid siphoning, only 4.5" (114 mm) of drain hose should be inside standpipe. Always secure drain hose with cable tie.

Floor standpipe drain system



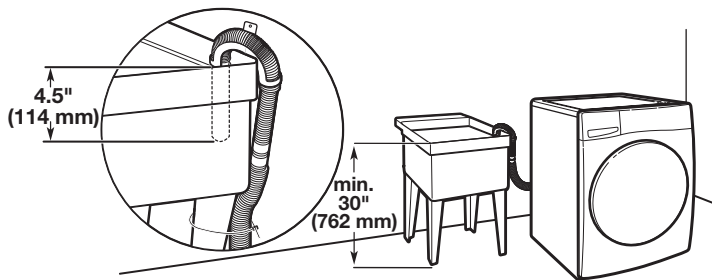
Minimum diameter for a standpipe drain: 2" (51 mm). Minimum carry-away capacity: 17 gal. (64 L) per minute. A 1/4" (6 mm) diameter to 1" (25 mm) diameter Standpipe Adapter Kit is available (Part Number 3363920). Top of standpipe must be at least 30" (762 mm) high; install no higher than 96" (2.44 m) from bottom of washer. If you have an overhead sewer and need to pump higher than 96" (2.44 m), a sump pump and associated hardware are needed. See "Alternate parts."

Wall standpipe drain system



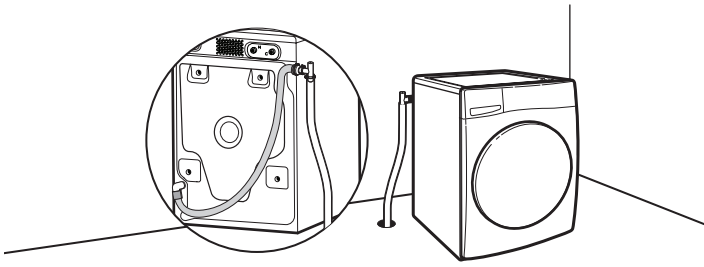
See requirements for floor standpipe drain system.

Laundry tub drain system



Minimum capacity: 20 gal. (76 L). Top of laundry tub must be at least 30" (762 mm) above floor; install no higher than 96" (2.44 m) from bottom of washer.

Floor drain system



Floor drain system requires a Siphon Break Kit, two Connector Kits, and an Extension Drain Hose that may be purchased separately. Please contact your retailer for ordering information, or see the "Assistance or Service" page on the back of your Use and Care Guide. Minimum siphon break height: 28" (710 mm) from bottom of washer. (Additional hoses may be needed.)

ELECTRICAL REQUIREMENTS

⚠ WARNING



Electrical Shock Hazard

Plug into a grounded 3 prong outlet.

Do not remove ground prong.

Do not use an adapter.

Do not use an extension cord.

Failure to follow these instructions can result in death, fire, or electrical shock.

- A 120 V, 60 Hz., AC only, 15 or 20 A, fused electrical supply is required. A time-delay fuse or circuit breaker is recommended. It is recommended that a separate circuit breaker serving only this appliance be provided.
- This washer is equipped with a power supply cord having a 3 prong grounding plug.
- To minimize possible shock hazard, the cord must be plugged into a mating, 3 prong, grounding-type outlet, grounded in accordance with local codes and ordinances. If a mating outlet is not available, it is the personal responsibility and obligation of the customer to have the properly grounded outlet installed by a qualified electrician.
- If codes permit and a separate ground wire is used, it is recommended that a qualified electrician determine that the ground path is adequate.
- Do not ground to a gas pipe.
- Check with a qualified electrician if you are not sure the washer is properly grounded.
- Do not have a fuse in the neutral or ground circuit.

GROUNDING INSTRUCTIONS

For a grounded, cord-connected washer:

This washer must be grounded. In the event of a malfunction or breakdown, grounding will reduce the risk of electrical shock by providing a path of least resistance for electric current. This washer is equipped with a cord having an equipment-grounding conductor and a grounding plug. The plug must be plugged into an appropriate outlet that is properly installed and grounded in accordance with all local codes and ordinances.

WARNING: Improper connection of the equipment-grounding conductor can result in a risk of electric shock. Check with a qualified electrician or serviceman if you are in doubt as to whether the appliance is properly grounded.

Do not modify the plug provided with the appliance – if it will not fit the outlet, have a proper outlet installed by a qualified electrician.

INSTALLATION INSTRUCTIONS

⚠ WARNING

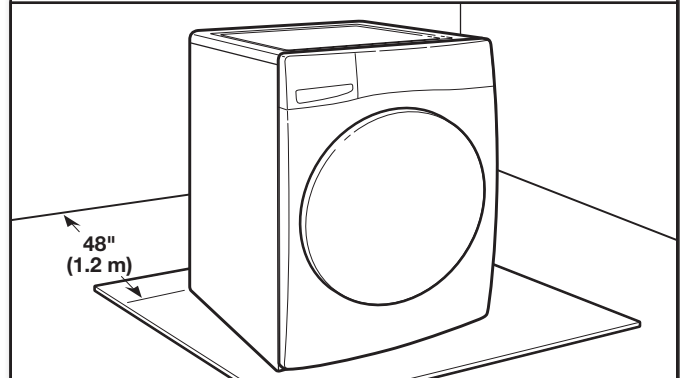
Excessive Weight Hazard

Use two or more people to move and install washer.

Failure to do so can result in back or other injury.

NOTE: To avoid floor damage, set washer onto cardboard before moving it.

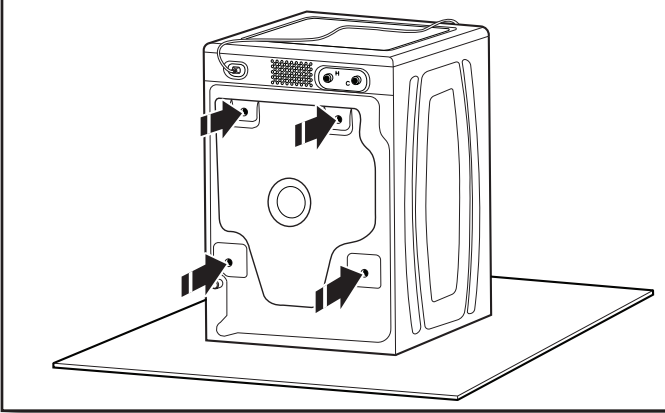
1. Move washer



It is necessary to remove all shipping materials for proper operation and to avoid excessive noise from washer.

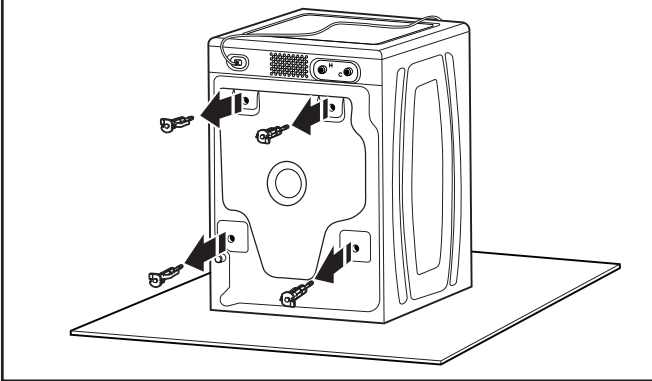
Move washer to within 4 ft (1.2 m) of its final location. It must be in a fully upright position.

2. Locate transport bolts



Locate four transport bolts on rear of washer.

3. Remove transport bolts from washer

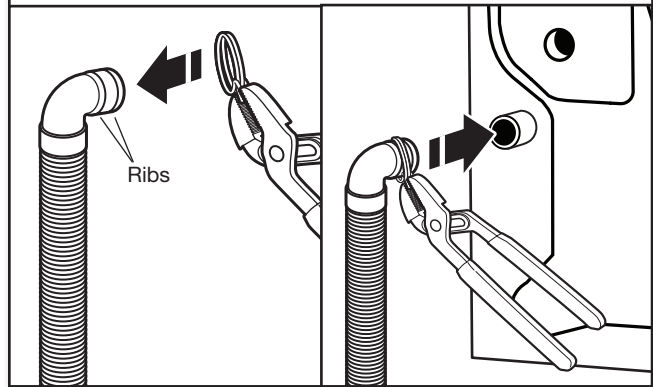


Loosen bolts with a 5/8" (16 mm) wrench. Slide each bolt and spacer to center of hole. Pull bolts and plastic spacers from back of washer. Discard bolts and spacers.

IMPORTANT: Do not plug washer in until installation has been completed.

CONNECT DRAIN HOSE

4. Attach drain hose to drain port



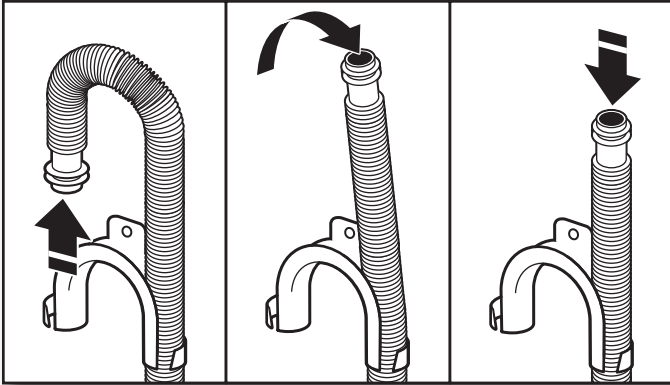
If clamp is not already in place on elbow end of drain hose, squeeze clamp with pliers and slide it over end of hose, centering it between the ribs, as shown. Squeeze clamp with pliers and slide elbow end of drain hose onto drain port and secure with clamp.

For a laundry tub or standpipe drain, go to step 6.

For a floor drain, remove the preinstalled drain hose form as shown in Step 5. You may need additional parts with separate directions. See "Alternate Parts."

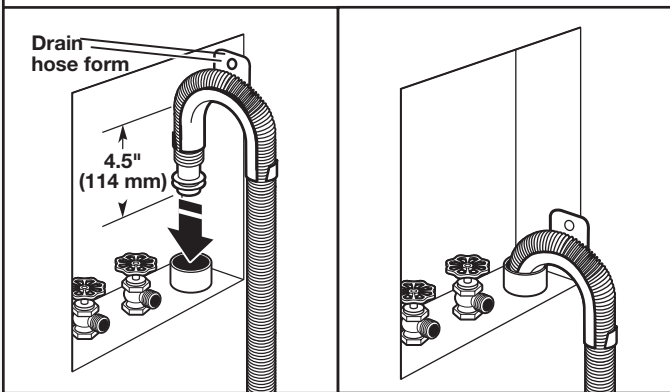
It is the responsibility of the installer to install and secure the drain hose into the provided plumbing/drain in a manner that will avoid the drain hose coming out of or leaking from the plumbing/drain.

5. Remove drain hose form (floor drain installations only)



For floor drain installations, you will need to remove the drain hose form from the end of the drain hose. You may need additional parts with separate directions. See "Alternate Parts".

6. Place drain hose in standpipe

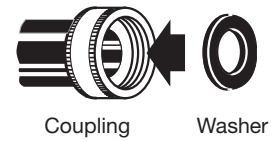


Place hose into standpipe (shown in picture) or over side of laundry tub.

IMPORTANT: Only 4.5" (114 mm) of drain hose should be inside standpipe; do not force excess hose into standpipe or lay on bottom of laundry tub. Drain hose form must be used.

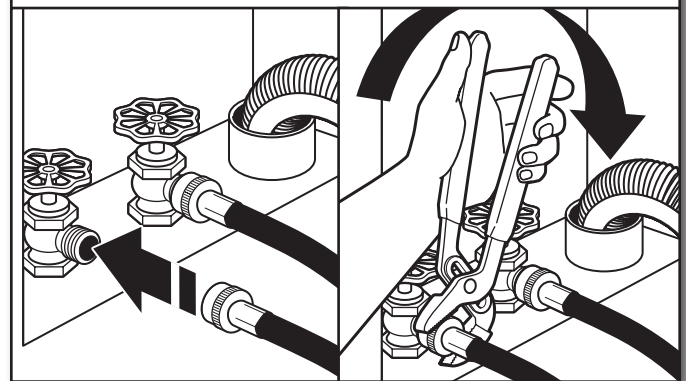
CONNECT INLET HOSES

7. Insert new flat washers



IMPORTANT: To avoid leaks, check that your water inlet hoses have flat washers at both ends. Washer must be connected to water faucets with new inlet hoses with flat washers (not provided). Do not use old hoses. Do not use hoses without washers.

8. Connect inlet hoses to water faucets

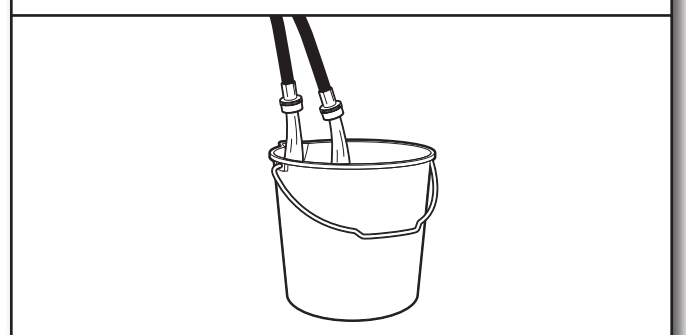


Attach the hose labeled hot to hot water faucet. Screw on coupling by hand until it is seated on washer. Use pliers to tighten couplings an additional two-thirds turn. Repeat this step with the hose labeled cold for the cold water faucet. Both hoses must be connected for washer to work properly.

IMPORTANT: Do not overtighten or use tape or sealants on valve when attaching to faucets or washer. Damage can result.

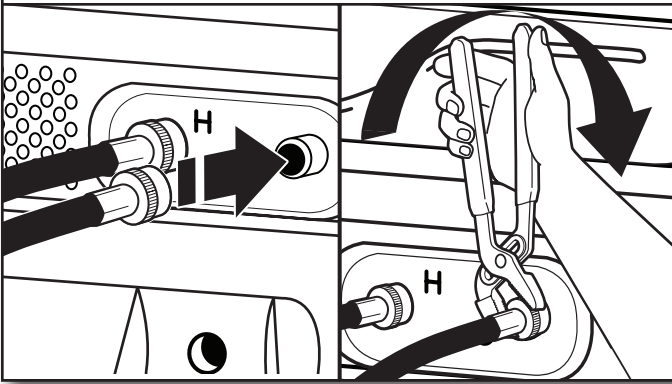
HELPFUL TIP: Make note of which hose is connected to hot water to help in attaching hoses to washer correctly. In most standard configurations, hoses will cross over each other when attached correctly.

9. Clear water lines



Run water for a few seconds through hoses into a laundry tub, drainpipe, or bucket to avoid clogs. Water should run until clear.

10. Connect inlet hoses to washer



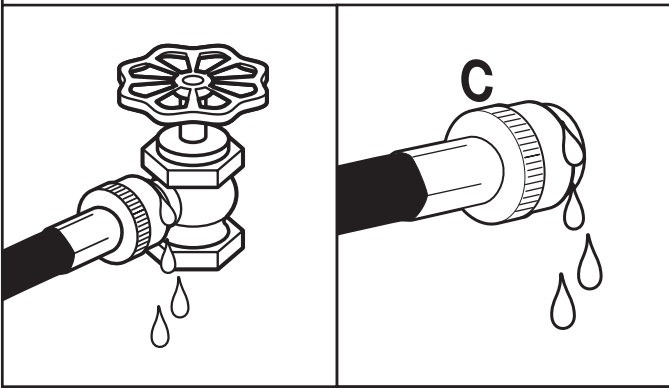
Attach hot water hose to hot water inlet valve. Screw coupling by hand until it is snug. Use pliers to tighten couplings an additional two-thirds turn. Repeat with cold water inlet valve.

IMPORTANT: Do not overtighten or use tap or sealants on valve when attaching to faucets or washer. Damage can result.

NOTE: To reduce risk of hose failure, replace the hoses every 5 years. Record hose installation or replacement dates for future reference.

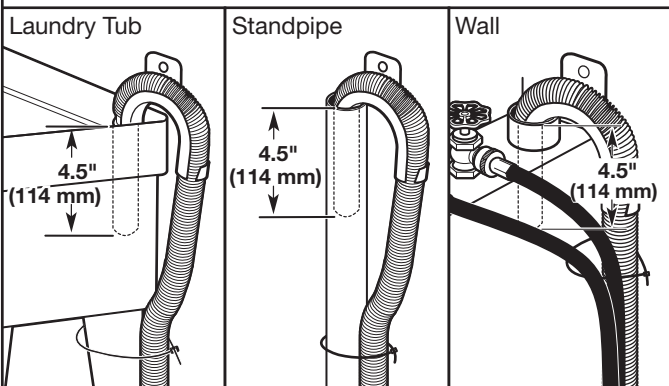
- Periodically inspect and replace hoses if bulges, kinks, cuts, wear, or leaks are found.

11. Check for leaks



Slowly turn on water faucets to check for leaks. A small amount of water may enter washer. It will drain later.

12. Secure drain hose

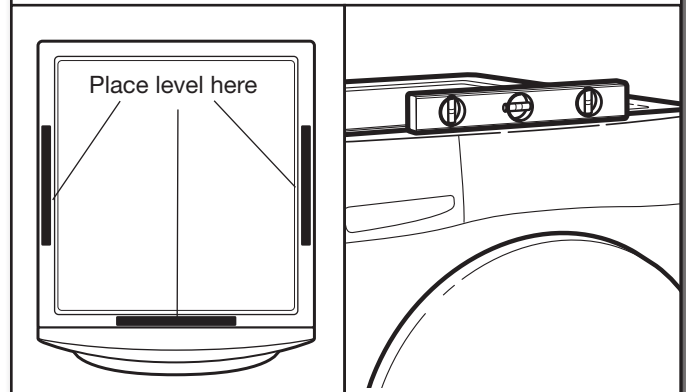


Secure drain hose to laundry tub leg, drain standpipe, or inlet hoses for wall standpipe with cable tie.

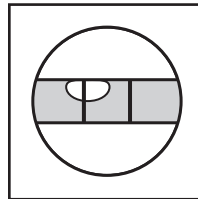
LEVEL WASHER

IMPORTANT: Leveling your washer properly reduces excess noise and vibration.

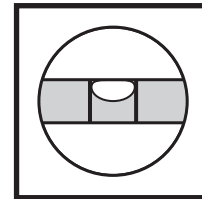
13. Check levelness of washer



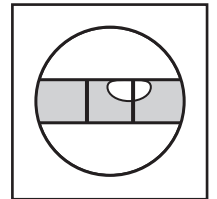
Remove cardboard from beneath washer. Place a level on top edges of washer, checking each side and front. If not level, tip washer and adjust feet up or down as shown in steps 15 and 16, repeating as necessary.



Not Level

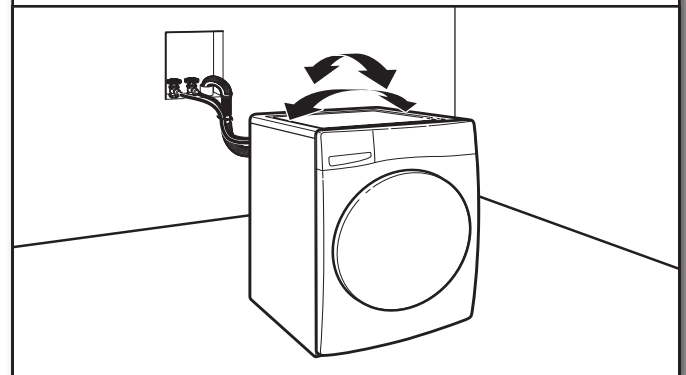


LEVEL



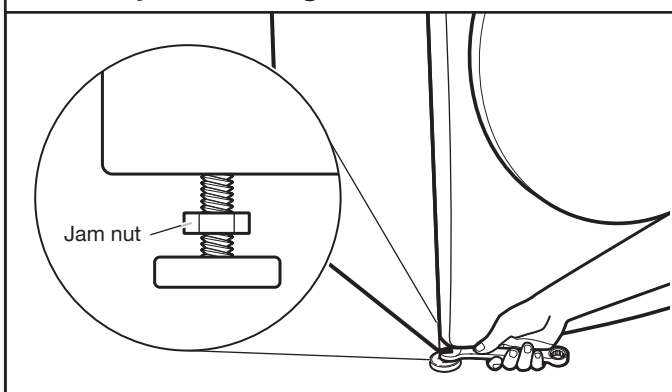
Not Level

14. Rock washer to test foot contact



Grip washer from top and rock back and forth, making sure all four feet are firmly on floor. Repeat, rocking washer from side to side. If washer rocks, go to step 15 and adjust leveling feet. If all four feet are in firm contact with floor, go to Step 16.

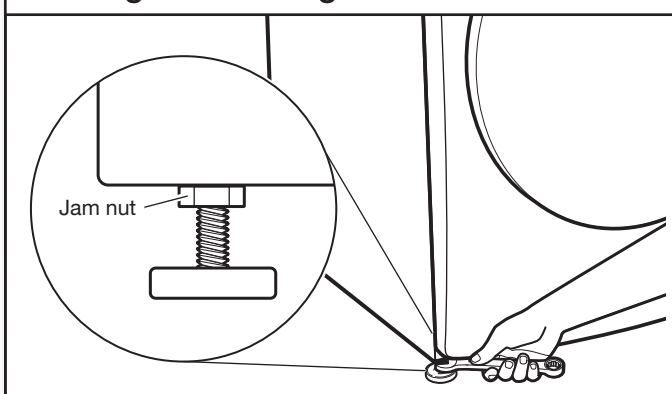
15. Adjust leveling feet



If washer is not level, use a 9/16" (14 mm) open-end or adjustable wrench to turn jam nuts clockwise on feet until they are about 1/2" (13 mm) from the washer cabinet. Then turn the leveling foot clockwise to lower the washer or counterclockwise to raise the washer. Do not exceed 2" (50 mm) from bottom of foot to bottom of cabinet. Recheck levelness of washer and that all four feet are firmly in contact with the floor. Repeat as needed.

HELPFUL TIP: You may want to prop up front of washer about 4" (102 mm) with a wood block or similar object that will support weight of washer.

16. Tighten leveling feet



When washer is level and all four feet are firmly in contact with the floor, use a 9/16" (14 mm) open-end or adjustable wrench to turn jam nuts counterclockwise on leveling feet tightly against washer cabinet.

HELPFUL TIP: You may want to prop washer with wooden block.

⚠ WARNING



Electrical Shock Hazard

Plug into a grounded 3 prong outlet.

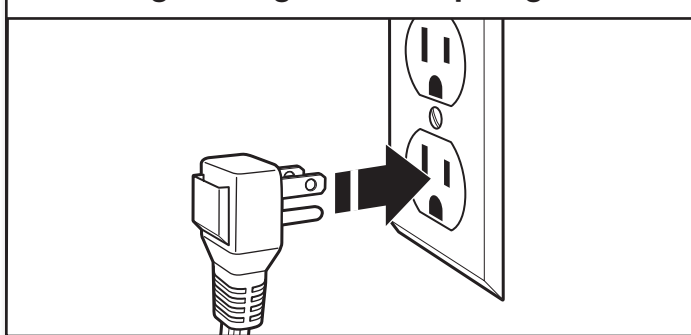
Do not remove ground prong.

Do not use an adapter.

Do not use an extension cord.

Failure to follow these instructions can result in death, fire, or electrical shock.

17. Plug into a grounded 3 prong outlet



COMPLETE INSTALLATION CHECKLIST

- Check electrical requirements. Be sure you have correct electrical supply and recommended grounding method.
- Check that all parts are now installed. If there is an extra part, go back through steps to see what was skipped.
- Check that you have all of your tools.
- Check that transport materials were completely removed from back of washer.
- Check that both hot and cold hoses are attached and water faucets are on.
- Check for leaks around faucets, valves, and inlet hoses.
- Remove protective film from console and any tape remaining on washer.
- Check that washer is plugged into a grounded 3 prong outlet.
- Dispose of/recycle all packaging materials.
- Read "Using Your Washer" in your Washer Use and Care Guide.
- To test and clean your washer, press POWER and choose the Quick cycle and run it without clothes. Use only HE detergent. Use 1/2 the manufacturer's recommended amount for a medium-size load.

SÉCURITÉ DE LA LAVEUSE

Votre sécurité et celle des autres est très importante.

Nous donnons de nombreux messages de sécurité importants dans ce manuel et sur votre appareil ménager. Assurez-vous de toujours lire tous les messages de sécurité et de vous y conformer.



Voici le symbole d'alerte de sécurité.

Ce symbole d'alerte de sécurité vous signale les dangers potentiels de décès et de blessures graves à vous et à d'autres.

Tous les messages de sécurité suivront le symbole d'alerte de sécurité et le mot "DANGER" ou "AVERTISSEMENT". Ces mots signifient :

⚠ DANGER

Risque possible de décès ou de blessure grave si vous ne suivez pas immédiatement les instructions.

⚠ AVERTISSEMENT

Risque possible de décès ou de blessure grave si vous ne suivez pas les instructions.

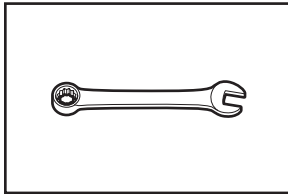
Tous les messages de sécurité vous diront quel est le danger potentiel et vous disent comment réduire le risque de blessure et ce qui peut se produire en cas de non-respect des instructions.

EXIGENCES D'INSTALLATION

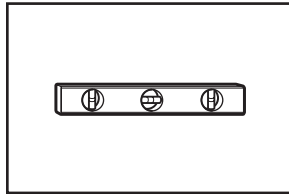
OUTILLAGE ET PIÈCES

Rassembler les outils et pièces nécessaires avant de commencer l'installation.

Outillage nécessaire :

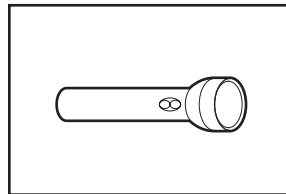


Clés plates ou clés à molette de 1/2" (13 mm), 5/8" (16 mm) et 9/16" (14 mm)

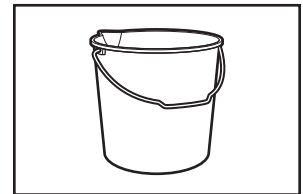


Niveau

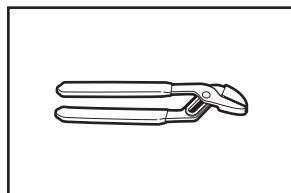
Outillage facultatif :



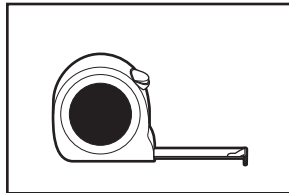
Lampe de poche



Seau

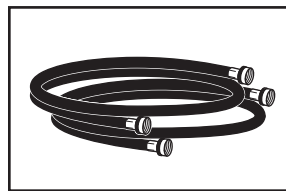


Pince avec ouverture jusqu'à 1⁹/₁₆" (39,5 mm)

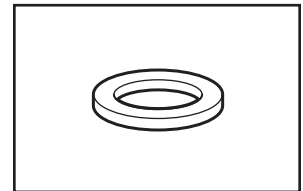


Règle ou mètre ruban

Pièces nécessaires : (Non fournies avec la laveuse)



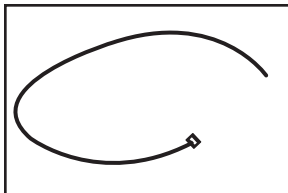
Tuyaux d'arrivée d'eau (2)



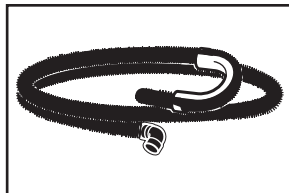
Rondelles plates pour tuyau d'arrivée d'eau (4)

Pièces fournies :

REMARQUE : Toutes les pièces fournies pour l'installation se trouvent dans le panier de la laveuse.



Attache-câble



Tuyau de vidange avec bride et bride de retenue (peuvent être livrés non montés)

Accessoires disponibles :

Vous pouvez obtenir un piédestal facultatif assorti pour la laveuse. Contacter le revendeur pour effectuer la commande ou voir la page "Assistance ou service" au dos du Guide d'utilisation et d'entretien.

Autres pièces : (Non fournies avec la laveuse)

Il se peut que l'installation nécessite des pièces supplémentaires. Pour commander, consulter les numéros d'appel sans frais figurant sur la page de couverture du Guide d'utilisation et d'entretien.

Si vous avez :

Un égout surélevé

Il vous faudra :

Tuyau de vidange standard de 20 gal. (76 L) de 39" (990 mm) de haut ou évier de décharge, pompe de puisard et connecteurs (disponibles chez les vendeurs de matériel de plomberie locaux)

Tuyaux d'arrivée d'eau alternatifs :

(peuvent être nécessaires pour certaines installations; ne sont pas fournis avec la laveuse)

- 8212656RP Tuyau d'arrivée d'eau de 10 pi. (3 m), EPDM noir (lot de 2)
- 8212641RP Tuyau d'arrivée d'eau de 5 pi. (1,5 m), EPDM noirs (lot de 2)
- 8212546RP Tuyau d'arrivée d'eau de 4 pi. (1,2 m), EPDM noirs (lot de 2)
- 8212545RP Tuyau d'arrivée d'eau de 5 pi. (1,5 m), EPDM rouge et bleu (lot de 2)
- 8212487RP Tuyau d'arrivée d'eau en nylon tressé de 5 pi. (1,5 m) (lot de 2)
- 8212638RP Tuyau d'arrivée d'eau en nylon tressé de 6 pi (1,8 m), coude compact à 90°, raccords hydro-blue en acier (lot de 2)

EXIGENCES D'EMPLACEMENT

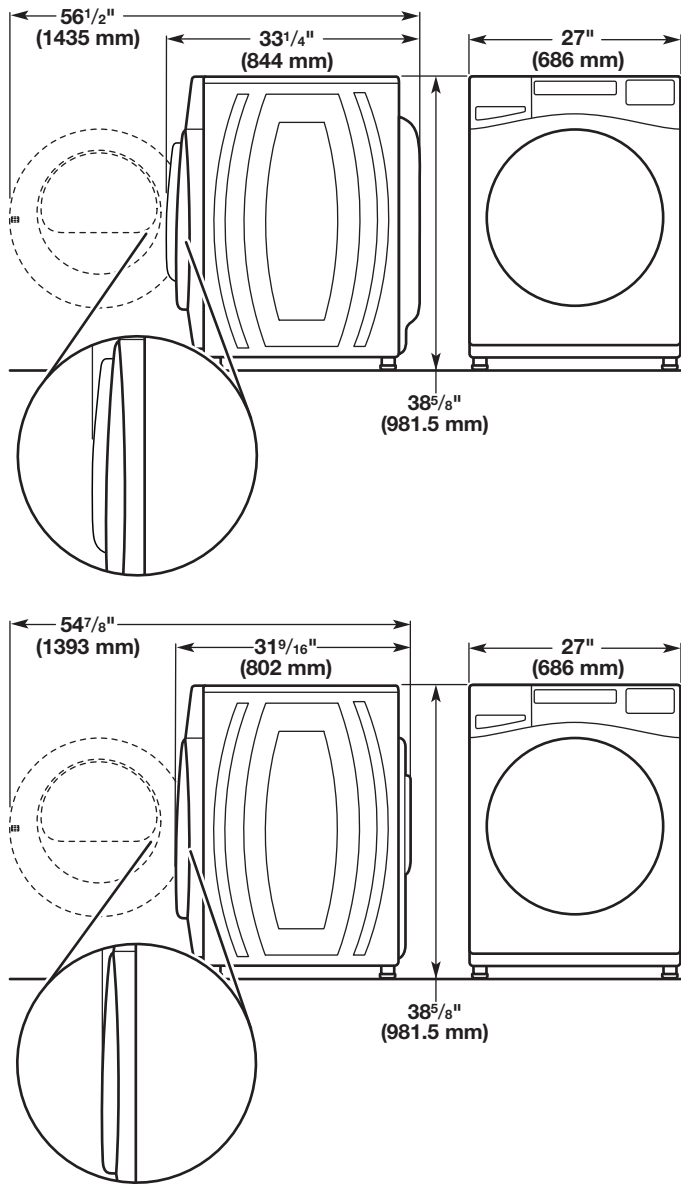
C'est à l'utilisateur qu'incombe la responsabilité de réaliser une installation correcte.

Il vous faudra :

- Un chauffe-eau réglé à 120 °F (49 °C).
- Une prise électrique reliée à la terre et située à moins de 6 pi (1,8 m) du cordon d'alimentation situé à l'arrière de la laveuse.
- Des robinets d'eau chaude et d'eau froide situés à moins de 4 pi (1,2 m) des électrovannes de remplissage d'eau chaude et d'eau froide situées sur la laveuse et une pression d'eau de 20 à 100 lb/po² (137,9 à 689,6 kPa).
- Un plancher de niveau avec une pente maximale de 1" (25 mm) sous l'ensemble de la laveuse. Il n'est pas recommandé de l'installer sur un tapis, de la moquette ou des surfaces avec endos en mousse.
- Un plancher capable de supporter le poids total de 315 lb (143 kg) de la laveuse (eau et charge comprises).

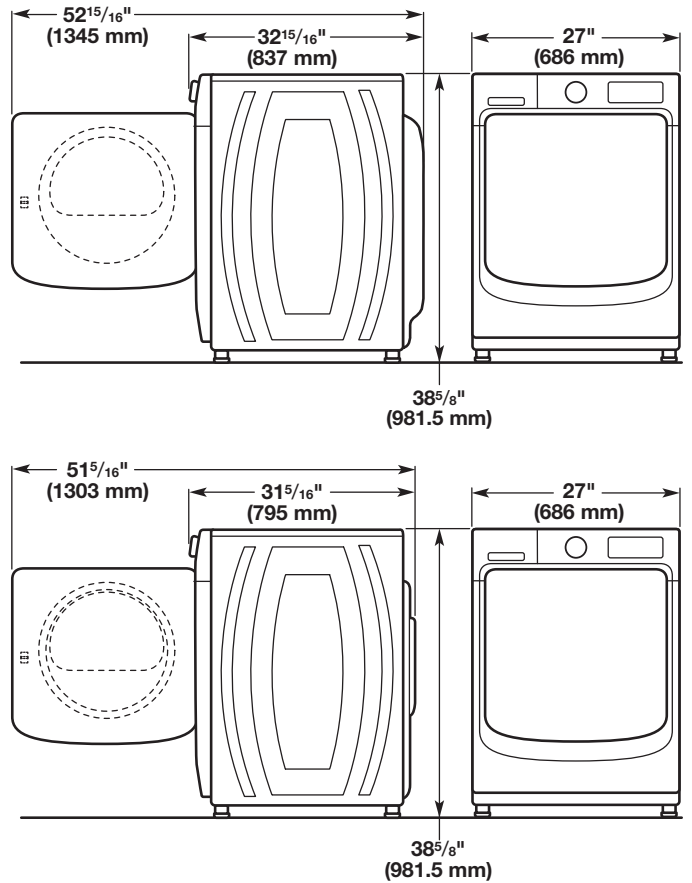
IMPORTANT : Ne pas installer, remiser ou faire fonctionner la laveuse à un emplacement où elle sera exposée aux intempéries ou à des températures inférieures à 32 °F (0 °C). De l'eau restée dans la laveuse après utilisation peut causer des dommages à basse température. Voir "Entretien de la laveuse" dans le Guide d'utilisation et d'entretien de la laveuse pour des renseignements sur l'hivernisation.

Modèles Whirlpool*



*Pour plus de détails (ou de renseignements) relatifs à votre modèle, voir le 'Dimensions' indiquées pour ce modèle à www.whirlpool.com.

Modèles Maytag

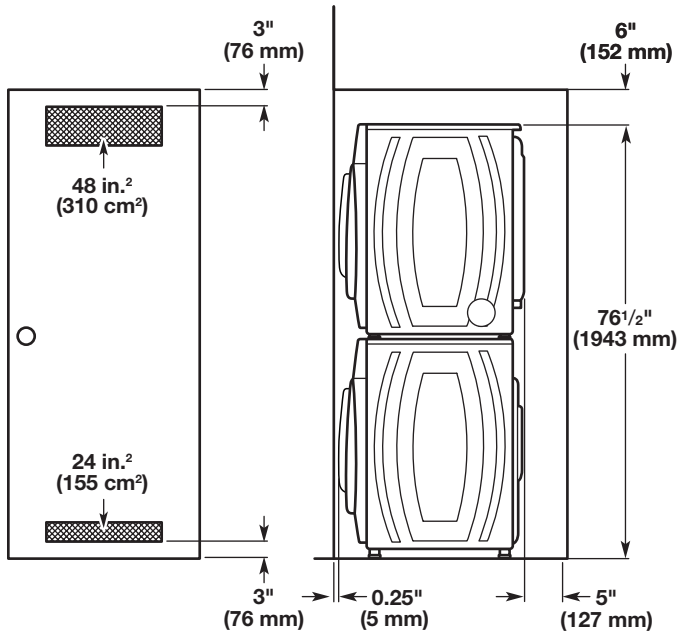


Toutes les dimensions représentent les dégagements le minimum permis.

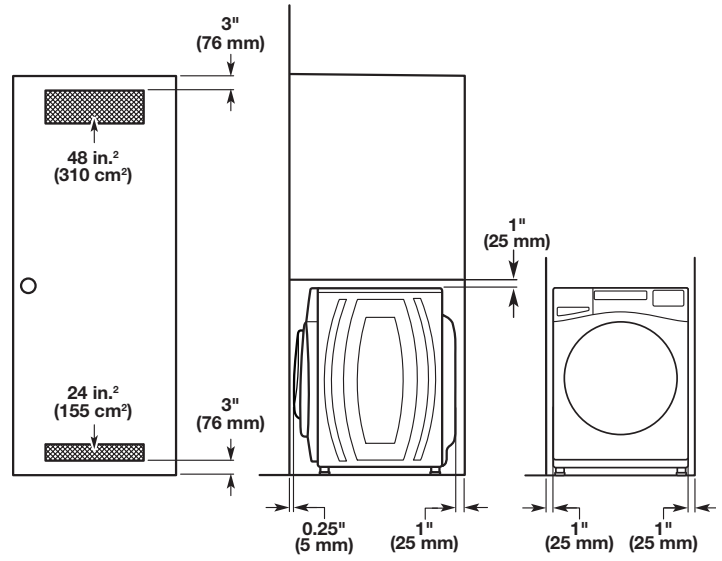
Pour chaque configuration, on peut éventuellement laisser davantage de dégagement pour faciliter l'installation et l'entretien; des distances de séparation pur les appareils ménagers voisins et des dégagements pour les murs, les portes et les moulures de plancher.

Le dégagement octroyé doit permettre à la porte de s'ouvrir complètement. Ajouter un espace supplémentaire de 1" (25 mm) de tous les côtés de la laveuse pour réduire le transfert de bruit. Si l'on installe une porte de placard ou une porte à persiennes, des ouvertures d'aération au sommet et au bas de la porte sont nécessaires.

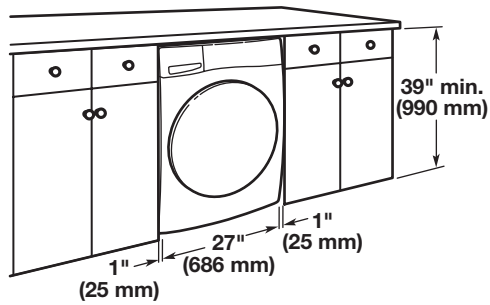
Installation dans un encastrement ou un placard (laveuse et sècheuse superposées) :



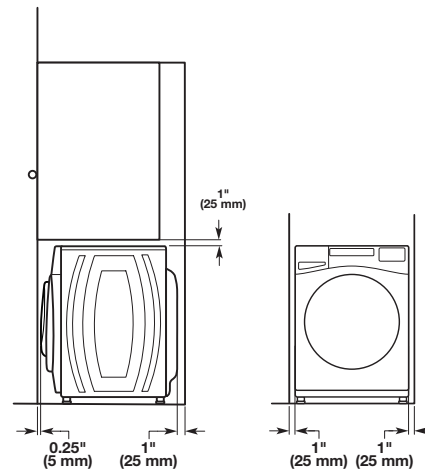
Installation dans un encastrement ou un placard (laveuse uniquement) :



Installation sous comptoir personnalisée :



Installation dans un placard personnalisée :

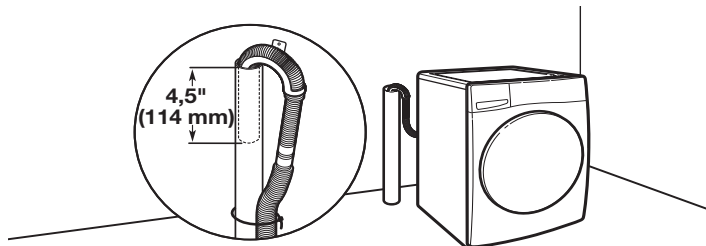


SYSTÈME DE VIDANGE

Le système de vidange de la laveuse peut être installé à l'aide d'un conduit d'évacuation au plancher, un tuyau de rejet à l'égout au plancher ou mural ou un évier de buanderie. Sélectionner la méthode à utiliser.

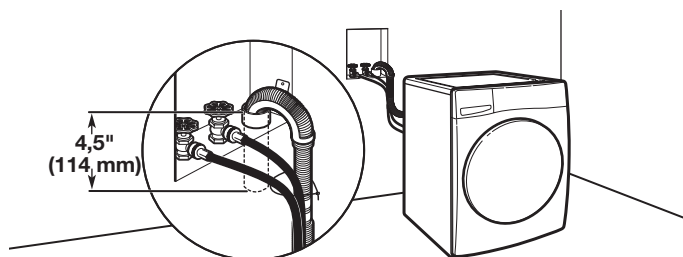
IMPORTANT : Pour éviter un effet de siphon, ne pas introduire plus de 4,5" (114 mm) de tuyau de vidange à l'intérieur du tuyau rigide de rejet à l'égout. Toujours immobiliser le tuyau de vidange avec un attache-câble.

Système de vidange avec tuyau de rejet à l'égout au plancher



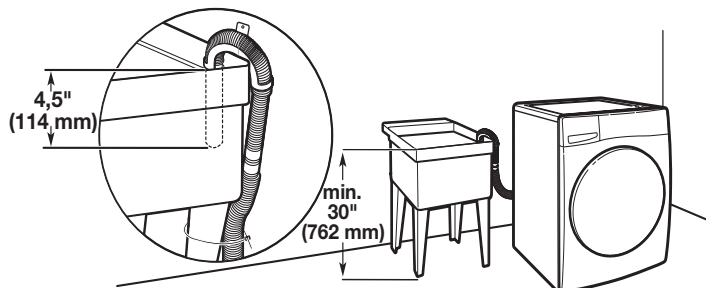
Diamètre minimal pour un tuyau rigide de rejet à l'égout : 2" (51 mm). Capacité minimale d'acheminement : 17 gal. (64 L) par minute. Un ensemble d'adaptateur de tuyau rigide de rejet à l'égout de 1/4" (6 mm) à 1" (25 mm) de diamètre est disponible (pièce numéro 3363920). Le sommet du tuyau de rejet à l'égout doit avoir une hauteur d'au moins 30" (762 mm); ne pas l'installer à plus de 96" (2,44 m) du fond de la laveuse. Si l'on possède un égout surélevé et que l'on doit l'installer à plus de 96" (2,44 m) de hauteur, un système de pompe de puisard (avec tout le matériel en rapport) est nécessaire. Voir "Autres pièces".

Système de vidange avec tuyau de rejet à l'égout mural



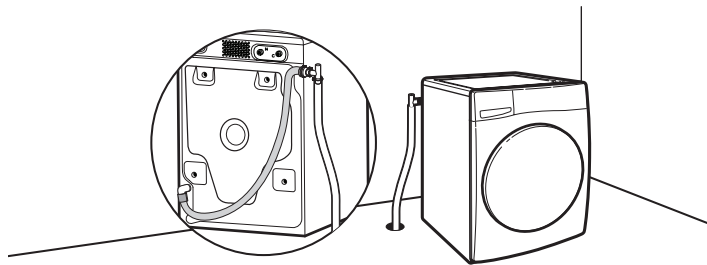
Voir les exigences pour le système de vidange avec tuyau rigide de rejet à l'égout au plancher.

Système de vidange dans un évier de buanderie



Capacité minimale : 20 gal. (76 L). Le sommet de l'évier de buanderie doit se trouver à au moins 30" (762 mm) du plancher; ne pas l'installer à plus de 96" (2,44 m) du fond de la laveuse.

Système de vidange au plancher



Le système de vidange au plancher nécessite un ensemble de brise-siphon, deux ensembles de raccordement et une rallonge de tuyau de vidange qui peuvent être achetés séparément. Contacter le revendeur pour effectuer la commande ou voir la page "Assistance ou service" au dos du guide d'utilisation et d'entretien. Hauteur minimale du brise-siphon : 28" (710 mm) à partir du fond de la laveuse. (Des tuyaux supplémentaires peuvent être requis).

SPÉCIFICATIONS ÉLECTRIQUES

⚠ AVERTISSEMENT



Risque de choc électrique

- Brancher sur une prise à 3 alvéoles reliée à la terre.**
- Ne pas enlever la broche de liaison à la terre.**
- Ne pas utiliser un adaptateur.**
- Ne pas utiliser un câble de rallonge.**
- Le non-respect de ces instructions peut causer un décès, un incendie ou un choc électrique.**

- Une alimentation de 120 V, 60 Hz, CA seulement, de 15 ou 20 A, protégée par un fusible est requise. On recommande l'emploi d'un fusible ou d'un disjoncteur temporisé. Il est recommandé de raccorder l'appareil sur un circuit distinct exclusif à cet appareil.
- Cette laveuse comporte un cordon d'alimentation électrique à 3 broches pour liaison à la terre.
- Pour minimiser les risques de choc électrique, on doit brancher le cordon sur une prise de courant de configuration correspondante, à 3 alvéoles, reliée à la terre et installée conformément aux codes et règlements locaux. Si une prise de courant de configuration correspondante n'est pas disponible, le client a la responsabilité et l'obligation de faire installer par un électricien qualifié une prise de courant correctement reliée à la terre.
- Si les codes le permettent et si l'on utilise un conducteur distinct de liaison à la terre, il est recommandé qu'un électricien qualifié vérifie la qualité de la liaison à la terre.
- Ne pas utiliser une tuyauterie de gaz pour le raccordement à la terre.
- En cas de doute quant à la qualité de la liaison à la terre de la laveuse, consulter un électricien qualifié.
- Ne pas installer un fusible dans le conducteur neutre ou le circuit de liaison à la terre.

INSTRUCTIONS DE LIAISON À LA TERRE

Pour une laveuse reliée à la terre et connectée par un cordon :

Cette laveuse doit être reliée à la terre. En cas d'anomalie de fonctionnement ou de panne, la liaison à la terre réduira le risque de choc électrique en offrant au courant électrique un itinéraire d'évacuation de moindre résistance. Cette laveuse est alimentée par un cordon électrique comportant un conducteur relié à la terre et une fiche de branchement munie d'une broche de liaison à la terre. La fiche doit être branchée sur une prise de courant appropriée qui est bien installée et reliée à la terre conformément à tous les codes et règlements locaux.

AVERTISSEMENT : Le raccordement incorrect de cet appareil au conducteur de liaison à la terre peut susciter un risque de choc électrique. En cas de doute quant à la qualité de la liaison à la terre de l'appareil, consulter un électricien ou technicien d'entretien qualifié.

Ne pas modifier la fiche de branchement fournie avec l'appareil – si la fiche ne correspond pas à la configuration de la prise de courant, demander à un électricien qualifié d'installer une prise de courant convenable.

INSTRUCTIONS D'INSTALLATION

⚠ AVERTISSEMENT

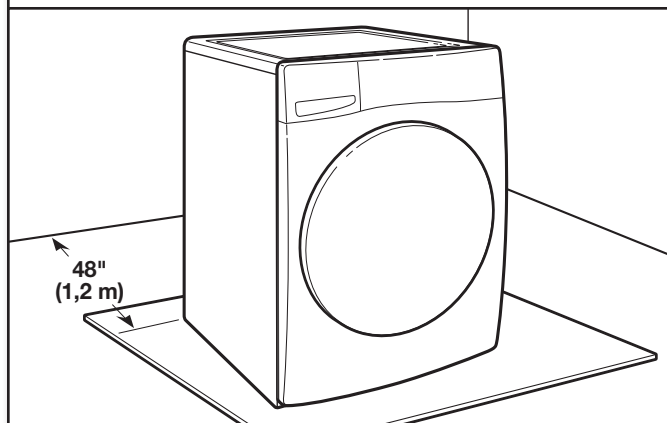
Risque du poids excessif

Utiliser deux ou plus de personnes pour déplacer et installer la laveuse.

Le non-respect de cette instruction peut causer une blessure au dos ou d'autre blessure.

REMARQUE : Pour éviter d'endommager le plancher, installer la laveuse sur un carton avant de la déplacer.

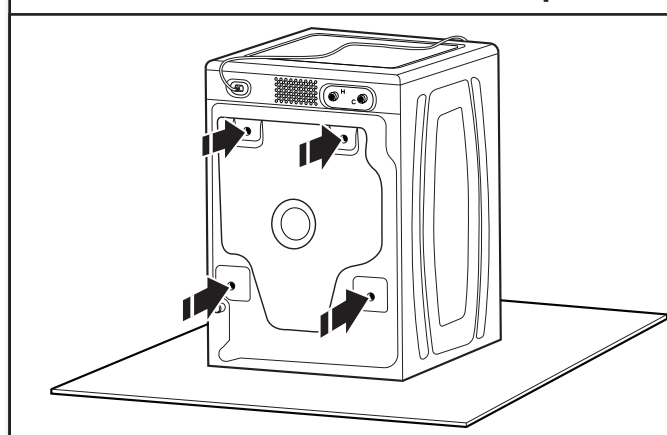
1. Déplacer la laveuse



Il est nécessaire de retirer tout le matériel d'expédition pour un fonctionnement correct et pour éviter que la laveuse ne fasse trop de bruit.

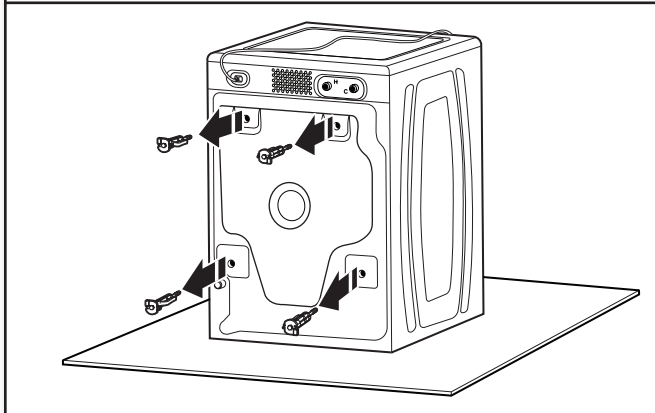
Déplacer la laveuse à moins de 4 pi (1,2 m) de son emplacement final. Elle doit être en position complètement verticale.

2. Localiser les boulons de transport



Localiser quatre boulons de transport situés l'arrière de la laveuse.

3. Retirer les boulons de transport de la laveuse

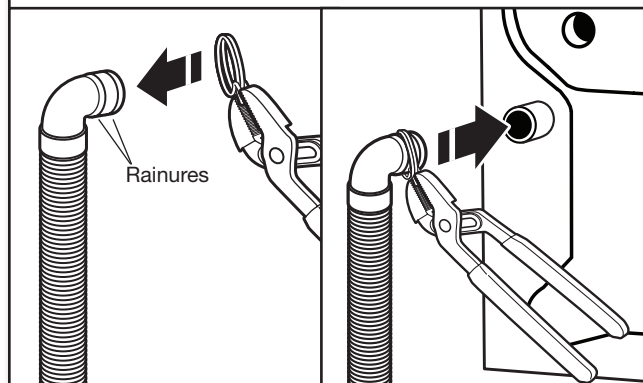


Desserrer les boulons avec une clé de 5/8" (16 mm). Déplacer chaque boulon et cale vers le centre du trou. Retirer les boulons et les cales en plastique de l'arrière de la laveuse. Jeter les boulons et cales d'espacement.

IMPORTANT : Ne pas brancher la laveuse avant d'avoir terminé l'installation.

RACCORDEMENT DU TUYAU DE VIDANGE

4. Fixation du tuyau de vidange à l'orifice de vidange



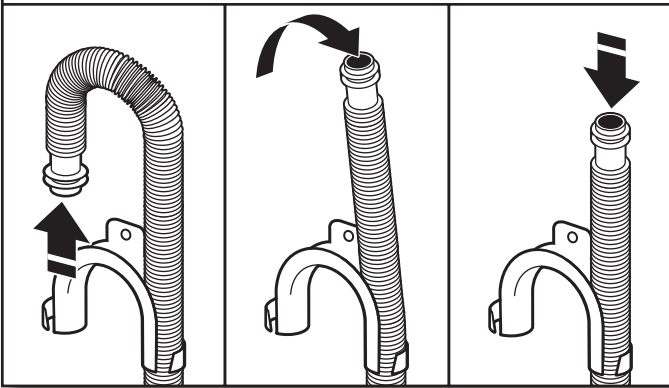
Si la bride n'est pas déjà installée sur l'extrémité coudée du tuyau de vidange, serrer la bride avec une pince et la faire glisser sur l'extrémité du tuyau en la centrant entre les rainures tel qu'illustré. Serrer la bride avec une pince et faire glisser à nouveau l'extrémité coudée du tuyau de vidange sur l'orifice de vidange, puis fixer avec la bride.

Pour un évier de buanderie ou un tuyau rigide de rejet à l'égout rigide, passer à l'étape 6.

Pour une vidange au plancher, retirer la bride de retenue pour tuyau de vidange préinstallée tel qu'indiqué à l'étape 5. Des pièces supplémentaires avec des instructions distinctes s'avèreront peut-être nécessaires. Voir "Autres pièces".

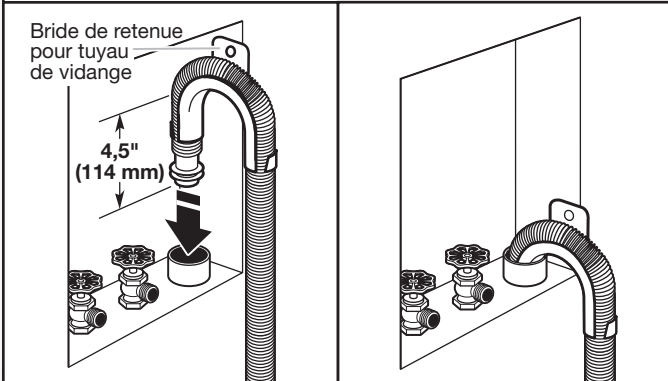
Il incombe à l'installateur d'installer et fixer solidement le tuyau de vidange à la canalisation d'évacuation de manière que le tuyau de vidange ne puisse sortir et causer d'éventuelles fuites de la canalisation d'évacuation.

5. Retrait de la bride de retenue pour tuyau de vidange (installations avec vidange au plancher uniquement)



Pour les installations avec vidange au plancher, il faut retirer la bride de retenue pour tuyau de vidange de l'extrémité du tuyau de vidange. Des pièces supplémentaires avec des directives distinctes seront peut-être nécessaires. Voir "Autres pièces".

6. Placer le tuyau de vidange dans le tuyau rigide de rejet à l'égout

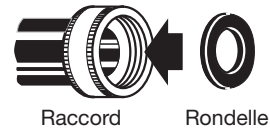


Placer le tuyau dans le tuyau rigide de rejet à l'égout (illustré sur l'image) ou par-dessus le côté de l'évier de buanderie.

IMPORTANT : 4,5" (114 mm) du tuyau de vidange doit être à l'intérieur du tuyau de rejet à l'égout; ne pas forcer l'excédent de tuyau dans le tuyau rigide de rejet à l'égout ni le placer dans l'évier de buanderie. On doit utiliser la bride de retenue pour tuyau de vidange.

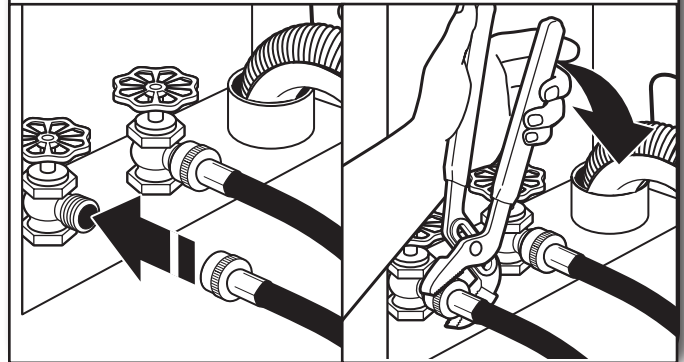
RACCORDEMENT DES TUYAUX D'ARRIVÉE D'EAU

7. Insérer les rondelles plates neuves



IMPORTANT : Afin d'éviter toute fuite, vérifier que les tuyaux d'arrivée d'eau comportent des rondelles d'étanchéité plates aux deux extrémités. La laveuse doit être raccordée aux robinets d'eau à l'aide des tuyaux d'arrivée d'eau et des rondelles neuves (non compris). Ne pas utiliser de tuyaux usagés. Ne pas utiliser de tuyaux sans installer de rondelles d'étanchéité.

8. Connecter les tuyaux d'arrivée d'eau aux robinets

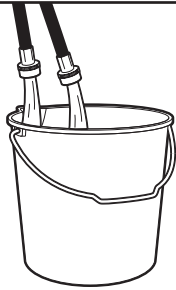


Fixer le tuyau dont l'étiquette porte la mention "hot" (chaud) au robinet d'eau chaude. Visser le raccord à la main pour qu'il repose sur la rondelle. Serrer les raccords de deux tiers de tour supplémentaires à l'aide d'une pince. Répéter cette étape avec le tuyau portant la mention "cold" (froide) pour le robinet d'eau froide. Les deux tuyaux doivent être raccordés pour que la laveuse fonctionne correctement.

IMPORTANT : Ne pas serrer excessivement ni utiliser de ruban adhésif ou de dispositifs d'étanchéité lors de la fixation des robinets ou de la laveuse. Cela pourrait entraîner des dommages.

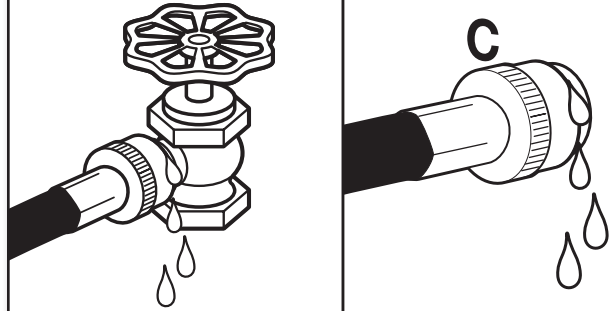
CONSEIL UTILE : Repérer quel tuyau est raccordé à l'eau chaude pour permettre une fixation correcte des tuyaux à la laveuse. Dans la plupart des configurations standard, les tuyaux se croisent lorsque fixés correctement.

9. Purger les canalisations d'eau



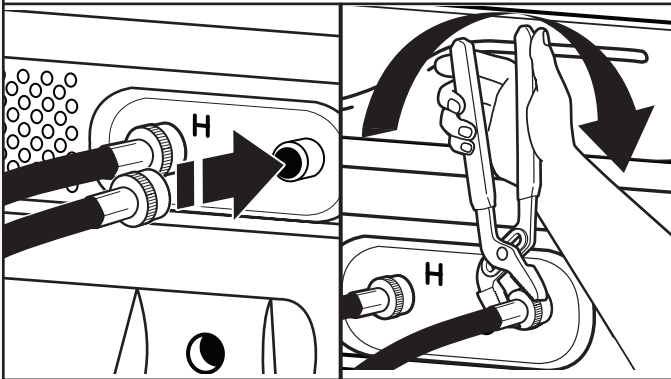
Faire couler pendant quelques secondes l'eau par les tuyaux dans l'évier de buanderie, le tuyau rigide de rejet à l'égout ou le seau pendant quelques secondes pour éviter toute obstruction. On doit laisser couler l'eau jusqu'à ce qu'elle soit limpide.

11. Rechercher les fuites éventuelles



Ouvrir lentement les robinets d'eau pour vérifier qu'il n'y a pas de fuite. Une petite quantité d'eau peut entrer dans la laveuse. Elle s'évacuera plus tard.

10. Connecter les tuyaux d'arrivée d'eau à la laveuse



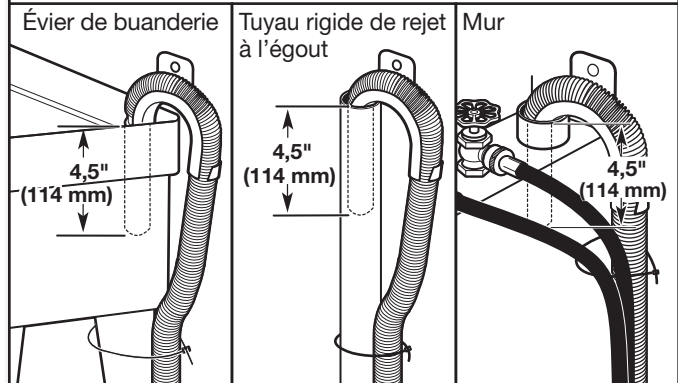
Fixer le tuyau d'eau chaude au robinet d'arrivée d'eau chaude. Visser le raccord à la main jusqu'à ce qu'il soit bien serré. Serrer les raccords de deux tiers de tour supplémentaires à l'aide d'une pince. Répéter pour le robinet d'eau froide.

IMPORTANT : Ne pas serrer excessivement ni utiliser de ruban adhésif ou de dispositifs d'étanchéité sur la valve lors de la fixation des robinets ou de la laveuse. Cela pourrait entraîner des dommages.

REMARQUE : Pour réduire le risque de défaillance des tuyaux, remplacer les tuyaux tous les 5 ans. Inscrire la date d'installation ou de remplacement des tuyaux pour référence ultérieure.

- Inspecter périodiquement les tuyaux et les remplacer en cas de renflement, de déformation, de coupure, d'usure ou si une fuite se manifeste.

12. Immobiliser le tuyau de vidange

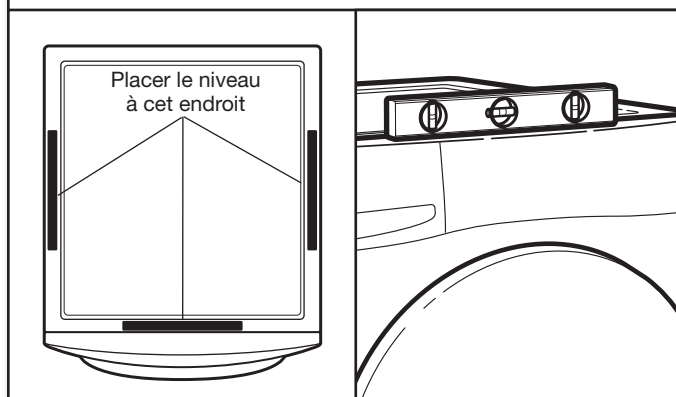


Fixer le tuyau de vidange au pied de l'évier de buanderie, au tuyau de rejet à l'égout ou aux tuyaux d'arrivée d'eau pour le tuyau de rejet à l'égout mural avec l'attache-câble.

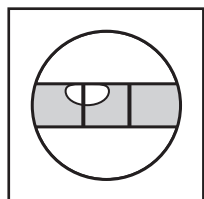
ÉTABLISSEMENT DE L'APLOMB DE LA LAVEUSE

IMPORTANT : L'établissement correct de l'aplomb de la laveuse permet de réduire les nuisances sonores et de limiter les vibrations.

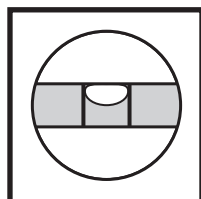
13. Contrôler l'aplomb de la laveuse



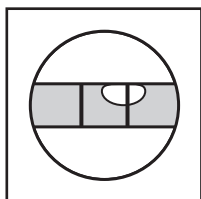
Enlever le morceau de carton placé sous la laveuse. Placer un niveau sur les bords supérieurs de la laveuse en contrôlant chaque côté et l'avant. Si elle n'est pas d'aplomb, faire basculer la laveuse et régler les pieds vers le haut ou vers le bas tel qu'indiqué dans les étapes 15 et 16, et recommencer si nécessaire.



Pas d'aplomb

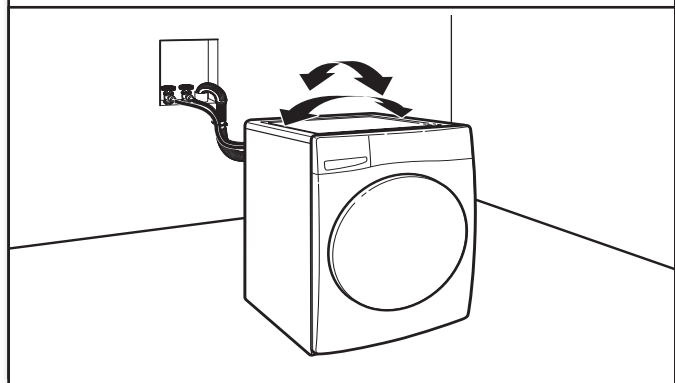


APLOMB



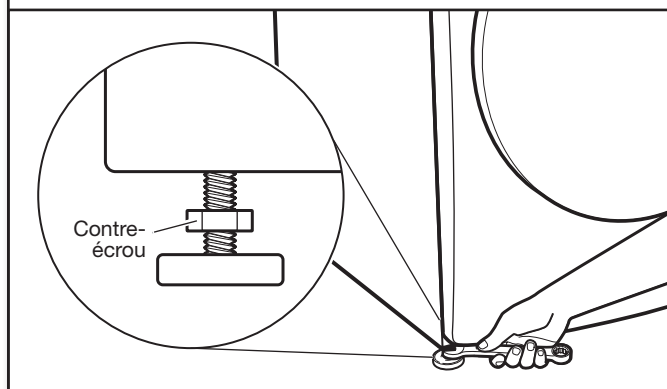
Pas d'aplomb

14. Faire basculer la laveuse pour tester la stabilité des pieds sur le plancher



Saisir la laveuse par le dessus et la faire basculer d'avant en arrière tout en s'assurant que les quatre pieds sont en contact ferme avec le plancher. Faire de nouveau basculer la laveuse, transversalement. Si la laveuse bascule, passer à l'étape 15 et ajuster les pieds de nivellement. Si les quatre pieds sont en contact ferme avec le plancher, passer à l'étape 16.

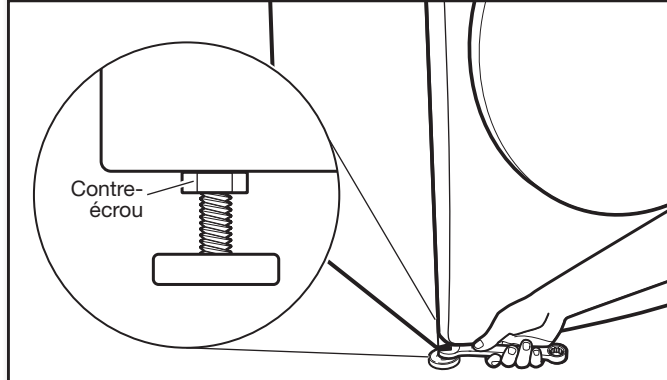
15. Ajuster les pieds de nivellement



Si la laveuse n'est pas d'aplomb, utiliser une clé plate ou une clé à molette de 9/16" (14 mm) pour tourner les contre-écrous dans le sens horaire jusqu'à ce qu'ils se trouvent à environ 1/2" (13 mm) de la caisse de la laveuse. Tourner ensuite le pied de nivellement dans le sens horaire pour abaisser la laveuse ou antihoraire pour la soulever. Ne dépassez pas 2" (50 mm) du bas du pied au bas de l'armoire. Contrôler à nouveau l'aplomb de la laveuse et vérifier que les quatre pieds sont bien au contact du plancher. Répéter au besoin.

CONSEIL UTILE : Il serait judicieux de soulever l'avant de la laveuse d'environ 4" (102 mm) à l'aide d'une cale en bois ou d'un objet similaire qui soutiendra le poids de la laveuse.

16. Serrer les pieds de nivellement



Une fois que la laveuse est d'aplomb et que les quatre pieds sont bien au contact du plancher, de la laveuse établi, utiliser une clé plate ou une clé à molette de 9/16" (14 mm) pour tourner les contre-écrous sur les pieds de nivellement dans le sens anti-horaire et les serrer fermement contre la caisse de la laveuse.

CONSEIL UTILE : Il serait judicieux d'étayer la laveuse à l'aide d'une cale en bois.

⚠ AVERTISSEMENT



Risque de choc électrique

Brancher sur une prise à 3 alvéoles reliée à la terre.

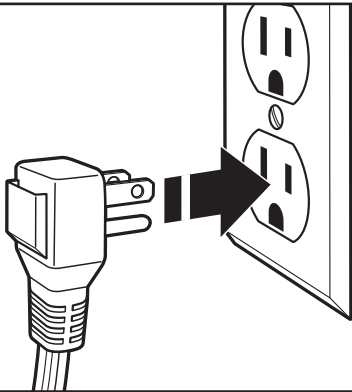
Ne pas enlever la broche de liaison à la terre.

Ne pas utiliser un adaptateur.

Ne pas utiliser un câble de rallonge.

Le non-respect de ces instructions peut causer un décès, un incendie ou un choc électrique.

17. Brancher sur une prise à 3 alvéoles reliée à la terre



LISTE DE VÉRIFICATION POUR L'ACHÈVEMENT DE L'INSTALLATION

- Consulter les spécifications électriques. S'assurer de disposer d'une source d'électricité appropriée et d'une liaison à la terre conforme à la méthode recommandée.
- Vérifier que toutes les pièces sont maintenant installées. S'il reste une pièce, passer en revue les différentes étapes pour découvrir laquelle aurait été oubliée.
- Vérifier la présence de tous les outils.
- Vérifier que tout le matériel d'expédition a été retiré de l'arrière de la laveuse.
- Vérifier que les tuyaux d'arrivée d'eau chaude et d'eau froide sont bien fixés et que les robinets d'eau sont ouverts.
- Vérifier qu'il n'y a pas de fuite autour des robinets et des tuyaux d'arrivée d'eau.
- Ôter la pellicule protectrice de la console et tout ruban adhésif resté sur la laveuse.
- Vérifier que la laveuse est branchée sur une prise de courant à 3 alvéoles reliée à la terre.
- Éliminer/recycler tous les matériaux d'emballage.
- Lire "Utilisation de la laveuse" dans le Guide d'utilisation et d'entretien de la laveuse.
- Pour tester la laveuse et la nettoyer, appuyer sur POWER (mise sous tension), sélectionner le programme Quick (rapide) et la faire fonctionner sans vêtements. Utiliser uniquement un détergent HE. Utiliser la moitié de la quantité recommandée par le fabricant pour une charge de taille moyenne.

DRYER INSTALLATION INSTRUCTIONS

INSTRUCTIONS POUR L'INSTALLATION DE LA SÈCHEUSE

Table of Contents

DRYER SAFETY	2
INSTALLATION REQUIREMENTS.....	4
Tools and Parts	4
LOCATION REQUIREMENTS.....	5
ELECTRICAL REQUIREMENTS – U.S.A. ONLY	7
ELECTRIC DRYER POWER HOOKUP – CANADA ONLY	8
GAS DRYER POWER HOOKUP	8
INSTALL LEVELING LEGS.....	10
MAKE ELECTRICAL CONNECTION – U.S.A. ONLY	11
Power Supply Cord Connection	12
Direct Wire Connection	14
MAKE GAS CONNECTION.....	17
VENTING.....	18
Venting Requirements	18
Plan Vent System	19
Install Vent System	20
CONNECT INLET HOSE (STEAM MODEL ONLY).....	21
CONNECT VENT	22
LEVEL DRYER.....	23
COMPLETE INSTALLATION CHECKLIST	23
DOOR REVERSAL (OPTIONAL).....	24

Table des matières

SÉCURITÉ DE LA SÈCHEUSE	30
EXIGENCES D'INSTALLATION	32
Outillage et pièces	32
EXIGENCES D'EMPLACEMENT	33
SÈCHEUSE ÉLECTRIQUE RACCORDEMENT À L'ALIMENTATION ÉLECTRIQUE – CANADA SEULEMENT	36
RACCORDEMENT D'UNE SÈCHEUSE À GAZ	37
INSTALLATION DES PIEDS DE NIVELLEMENT	38
RACCORDEMENT AU GAZ.....	39
ÉVACUATION	40
Exigences concernant l'évacuation	40
Planification du système d'évacuation	41
Installation du système d'évacuation	42
RACCORDEMENT DU TUYAU D'ALIMENTATION (MODÈLE À VAPEUR UNIQUEMENT)	43
RACCORDEMENT DU CONDUIT D'ÉVACUATION	44
RÉGLAGE DE L'APLOMB DE LA SÈCHEUSE.....	45
ACHEVER L'INSTALLATION LISTE DE VÉRIFICATION.....	45
INVERSION DE LA PORTE (FACULTATIF).....	46

Para una version de estas instrucciones en español, visite www.Whirlpool.com

INSTALLATION NOTES

Date of purchase: _____
 Date of installation: _____
 Installer: _____
 Model number: _____
 Serial number: _____

NOTES CONCERNANT L'INSTALLATION

Date d'achat: _____
 Date d'installation: _____
 Installateur: _____
 Numéro de modèle: _____
 Numéro de série: _____



DRYER SAFETY

Your safety and the safety of others are very important.

We have provided many important safety messages in this manual and on your appliance. Always read and obey all safety messages.



This is the safety alert symbol.

This symbol alerts you to potential hazards that can kill or hurt you and others.

All safety messages will follow the safety alert symbol and either the word “DANGER” or “WARNING.”

These words mean:

⚠ DANGER

You can be killed or seriously injured if you don't immediately follow instructions.

⚠ WARNING

You can be killed or seriously injured if you don't follow instructions.

All safety messages will tell you what the potential hazard is, tell you how to reduce the chance of injury, and tell you what can happen if the instructions are not followed.



WARNING - “Risk of Fire”

- Clothes dryer installation must be performed by a qualified installer.
- Install the clothes dryer according to the manufacturer's instructions and local codes.
- Do not install a clothes dryer with flexible plastic venting materials or flexible metal (foil type) duct. If flexible metal duct is installed, it must be of a specific type identified by the appliance manufacturer as suitable for use with clothes dryers. Flexible venting materials are known to collapse, be easily crushed, and trap lint. These conditions will obstruct clothes dryer airflow and increase the risk of fire.
- To reduce the risk of severe injury or death, follow all installation instructions.
- Save these instructions.

⚠ WARNING

Fire Hazard

Failure to follow safety warnings exactly could result in serious injury, death, or property damage.

Do not install a booster fan in the exhaust duct.

Install all clothes dryers in accordance with the installation instructions of the manufacturer of the dryer.

 **WARNING:**

FIRE OR EXPLOSION HAZARD

Failure to follow safety warnings exactly could result in serious injury, death, or property damage.

- Do not store or use gasoline or other flammable vapors and liquids in the vicinity of this or any other appliance.
- **WHAT TO DO IF YOU SMELL GAS:**
 - Do not try to light any appliance.
 - Do not touch any electrical switch; do not use any phone in your building.
 - Clear the room, building, or area of all occupants.
 - Immediately call your gas supplier from a neighbor's phone. Follow the gas supplier's instructions.
 - If you cannot reach your gas supplier, call the fire department.
- Installation and service must be performed by a qualified installer, service agency, or the gas supplier.

WARNING: Gas leaks cannot always be detected by smell.

Gas suppliers recommend that you use a gas detector approved by UL or CSA.

For more information, contact your gas supplier.

If a gas leak is detected, follow the "What to do if you smell gas" instructions.

IMPORTANT: The gas installation must conform with local codes, or in the absence of local codes, with the National Fuel Gas Code, ANSI Z223.1/NFPA 54, or the Natural Gas and Propane Installation Code, CSA B149.1.

The dryer must be electrically grounded in accordance with local codes, or in the absence of local codes, with the National Electrical Code, ANSI/NFPA 70, or the Canadian Electrical Code, Part 1, CSA C22.1.

In the State of Massachusetts, the following installation instructions apply:

- Installations and repairs must be performed by a qualified or licensed contractor, plumber, or gas fitter qualified or licensed by the State of Massachusetts.
- Acceptable Shut-off Devices: Gas Cocks and Ball Valves installed for use shall be listed.
- A flexible gas connector, when used, must not exceed 4 feet (121.9 cm).

IMPORTANT SAFETY INSTRUCTIONS

When discarding or storing your old clothes dryer, remove the door.

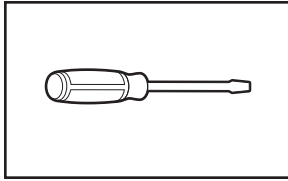
SAVE THESE INSTRUCTIONS

INSTALLATION REQUIREMENTS

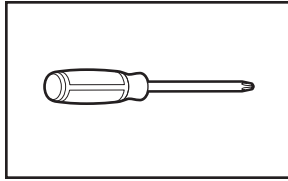
Tools and Parts

Gather the required tools and parts before starting installation.

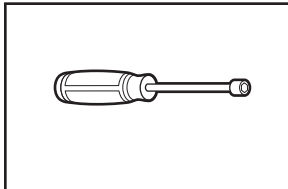
Tools needed for all installations:



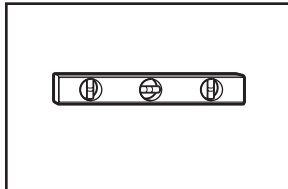
Flat-blade screwdriver



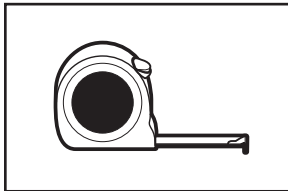
#2 Phillips screwdriver



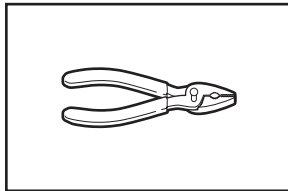
1/4" (6 mm) and 5/16" (8 mm) nut driver (recommended)



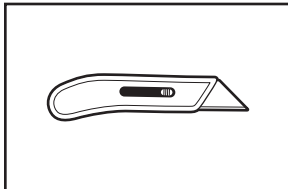
Level



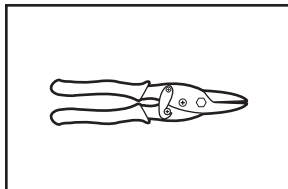
Tape measure



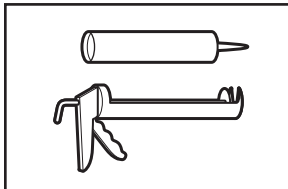
Pliers



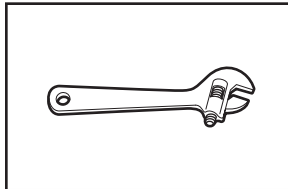
Utility knife



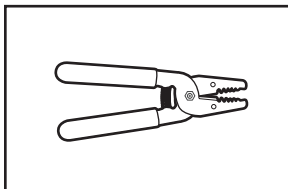
Tin snips (new vent installations)



Caulking gun and compound (new vent installations)

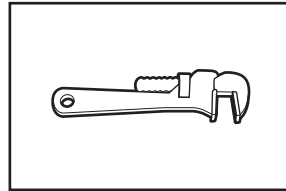


Adjustable wrench that opens to 1" (25 mm) or hex-head socket wrench

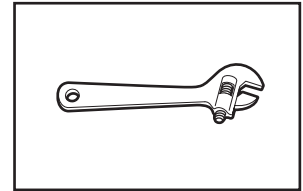


Wire stripper (direct wire installations)

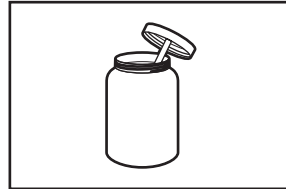
Tools needed for gas installations:



8" (203 mm) or 10" (254 mm) pipe wrench

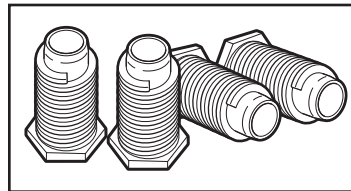


8" (203 mm) or 10" (254 mm) adjustable wrench (for gas connections)



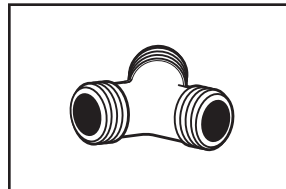
Pipe-joint compound resistant to propane gas

Parts supplied (all models):

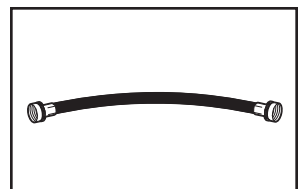


Leveling legs (4)

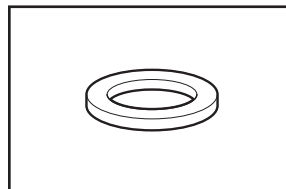
Parts needed (steam models):



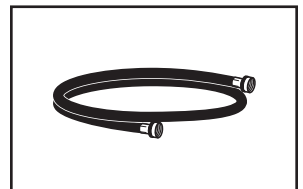
"Y" connector



2' (0.6 m) inlet hose



Rubber washer



5' (1.52 m) inlet hose

Parts package is located in dryer drum. Check that all parts are included.

NOTE: Do not use leveling legs supplied with dryer if installing with a pedestal or a stack kit.

Parts needed (not supplied with dryer):

- Vent clamps
- Vent elbows and vent work

Additional parts may be required, depending on your installation. Check local codes. Check existing electrical supply and venting. Read “Electrical Requirements” and “Venting Requirements” before purchasing parts.

If using a power supply cord:

Use a UL Listed power supply cord kit marked for use with clothes dryers. The kit should contain:

- A UL Listed 30 amp power supply cord, rated 120/240 volt minimum. The cord should be type SRD or SRDT and be at least 4 ft. (1.22 m) long. The wires that connect to the dryer must end in ring terminals or spade terminals with upturned ends.
- A UL Listed strain relief.


Optional Equipment (not supplied with dryer):

Refer to your Use and Care Guide for information about accessories available for your dryer.

LOCATION REQUIREMENTS

Check code requirements. Some codes limit, or do not permit, installing dryer in garages, closets, mobile homes, or sleeping quarters. Contact your local building inspector.

⚠ WARNING



Explosion Hazard

Keep flammable materials and vapors, such as gasoline, away from dryer.

Place dryer at least 18 inches (460 mm) above the floor for a garage installation.

Failure to do so can result in death, explosion, or fire.

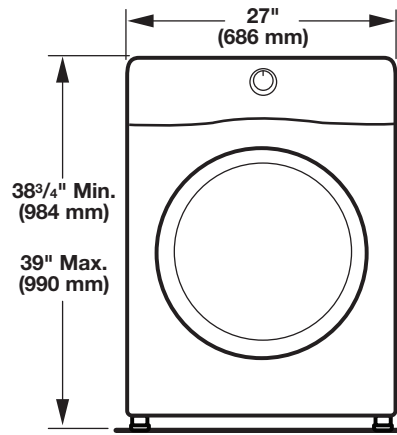
You will need:

- A location allowing for proper exhaust installation. See “Venting Requirements.”
- A separate 15 or 20 amp circuit for a gas dryer or 30 amp circuit for an electric dryer.
- If using power supply cord, a grounded electrical outlet located within 2 ft. (610 mm) of either side of dryer. See “Electrical Requirements.”
- Floor must support dryer weight of 200 lbs. (90.7 kg). Also consider weight of companion appliance.
- Cold water faucets located within 4 ft. (1.2 m) of the water fill valves, and water pressure of 20–120 psi (138–827 kPa). You may use your washer’s water supply by purchasing the necessary parts noted in “Parts needed.”
- Level floor with maximum slope of 1" (25 mm) under entire dryer. If slope is greater than 1" (25 mm), install Extended Dryer Feet Kit, Part Number 279810. If not level, clothes may not tumble properly and automatic sensor cycles may not operate correctly.
- For garage installation, place dryer at least 18" (460 mm) above floor. If using a pedestal, you will need 18" (460 mm) to bottom of dryer.
- The dryer must not be installed or stored in an area where it will be exposed to water and/or weather.

IMPORTANT: Do not operate, install, or store dryer where it will be exposed to water, weather, or at temperatures below 40°F (4°C). Lower temperatures may cause dryer not to shut off at end of automatic sensor cycles, resulting in longer drying times.

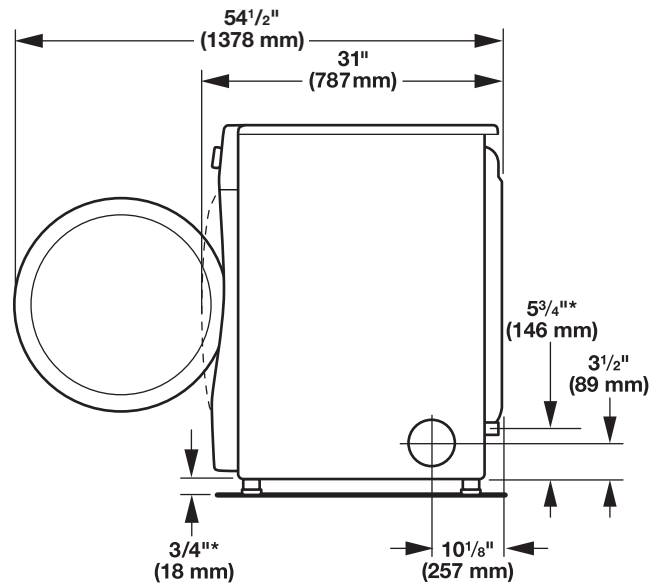
DRYER DIMENSIONS

Front view:



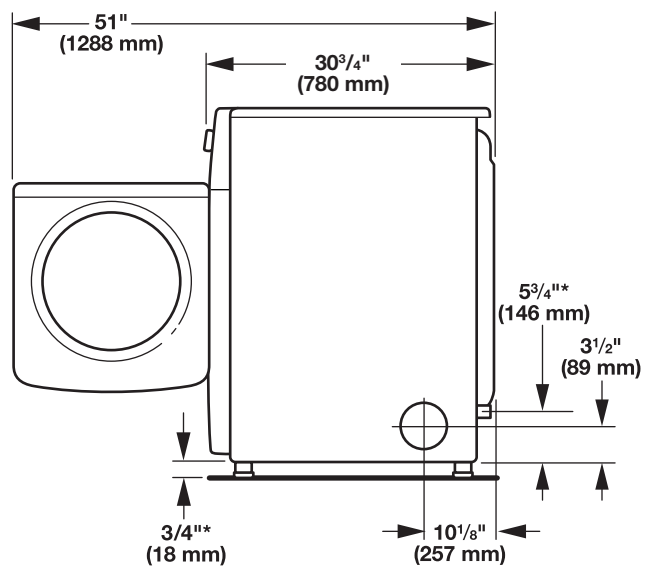
Side view:

Whirlpool Models



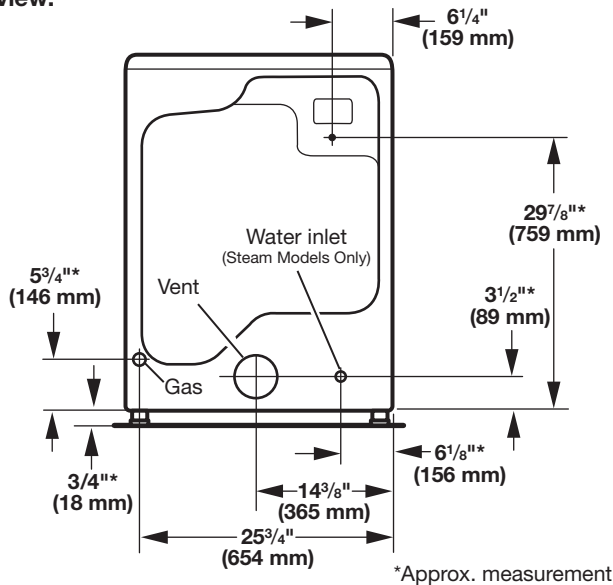
*Approx. measurement

Maytag Models



*Approx. measurement

Back view:



*Approx. measurement

NOTE: Most installations require a minimum of 5" (127 mm) clearance behind dryer for exhaust vent with elbow. See "Venting Requirements."

Installation Clearances

For each arrangement, consider allowing more space for ease of installation and servicing, spacing for companion appliances, and clearances for walls, doors, and floor moldings. Space must be large enough to allow door to fully open. Add spacing on all sides of dryer to reduce noise transfer. If a closet door or louvered door is installed, top and bottom air openings in door are required.

Check code requirements. Some codes limit, or do not permit, installation of the dryer in garages, closets, mobile homes, or sleeping quarters. Contact your local building inspector.

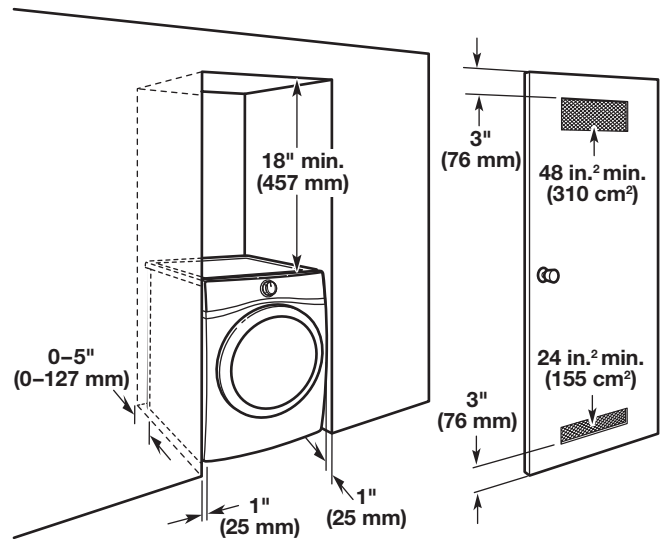
NOTE: No other fuel-burning appliance can be installed in the same closet as a dryer.

Installation spacing for recessed area or closet installation

All dimensions show recommended and minimum spacing allowed.

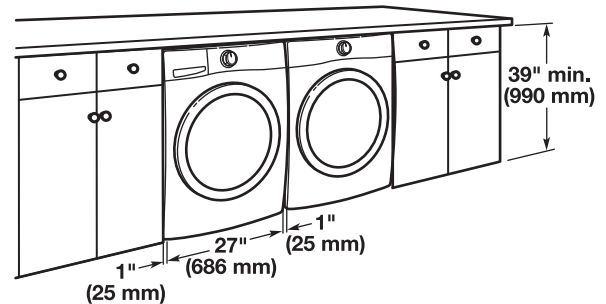
- Additional spacing should be considered for ease of installation and servicing.
- Additional clearances might be required for wall, door, floor moldings, dryer venting, and gas line.
- Additional spacing should be considered on all sides of the dryer to reduce noise transfer.
- For closet installation with a door, minimum ventilation openings in the top and bottom of the door are required. Louvered doors with equivalent ventilation openings are acceptable.
- Companion appliance spacing should also be considered.

Recommended installation clearances (dryer only):



0" (0 mm) rear spacing is allowed for straight back venting only. For steam models only, inlet hose must not be kinked.

Custom under-counter installation:



Mobile home – Additional installation requirements:

This dryer is suitable for mobile home installations. The installation must conform to the Manufactured Home Construction and Safety Standard, Title 24 CFR, Part 3280 (formerly the Federal Standard for Mobile home construction and Safety, Title 24, HUD Part 280) or Standard CAN/CSA-Z240 MH.

Mobile home installations require:

- Metal exhaust system hardware, available for purchase from your dealer. For further information, see "Assistance or Service" in your Use and Care Guide.
- Special provisions must be made in mobile homes to introduce outside air into dryer. Openings (such as a nearby window) should be at least twice as large as dryer exhaust opening.

For mobile home installation of gas dryers:

- Mobile Home Installation Hold-down Kit Part Number 346764 is available to order. For further information, see "Assistance or Service" in your Use and Care Guide.

ELECTRICAL REQUIREMENTS – U.S.A. ONLY

It is your responsibility:

- To contact a qualified electrical installer.
- To be sure that the electrical connection is adequate and in conformance with the National Electrical Code, ANSI/NFPA 70 – latest edition and all local codes and ordinances.

The National Electrical Code requires a 4-wire power supply connection for homes built after 1996, dryer circuits involved in remodeling after 1996, and all mobile home installations.

A copy of the above code standards can be obtained from: National Fire Protection Association, One Batterymarch Park, Quincy, MA 02269.

- To supply the required 3 or 4 wire, single-phase, 120/240 volt, 60 Hz, AC-only electrical supply (or 3 or 4 wire, 120/208 volt electrical supply, if specified on the serial/rating plate) on a separate 30 amp circuit, fused on both sides of the line. Connect to an individual branch circuit. Do not have a fuse in the neutral or grounding circuit.
- Do not use an extension cord.
- If codes permit and a separate ground wire is used, it is recommended that a qualified electrician determine that the ground path is adequate.

Electrical Connection

To properly install your dryer, you must determine the type of electrical connection you will be using and follow the instructions provided for it here.

- This dryer is manufactured ready to install with a 3-wire electrical supply connection. The neutral ground conductor is permanently connected to the neutral conductor (white wire) within the dryer. If the dryer is installed with a 4-wire electrical supply connection, the neutral ground conductor must be removed from the external ground connector (green screw), and secured under the neutral terminal (center or white wire) of the terminal block. When the neutral ground conductor is secured under the neutral terminal (center or white wire) of the terminal block, the dryer cabinet is isolated from the neutral conductor. The green ground wire of the 4-wire power cord must be secured to the dryer cabinet with the green ground screw.
- If local codes do not permit the connection of a neutral ground wire to the neutral wire, see “Optional External Ground for 3-Wire Connection” in the “Power Supply Cord Connection” section.
- A 4-wire power supply connection must be used when the appliance is installed in a location where grounding through the neutral conductor is prohibited. Grounding through the neutral is prohibited for (1) new branch-circuit installations after 1996, (2) mobile homes, (3) recreational vehicles, and (4) areas where local codes prohibit grounding through the neutral conductors.

If using a power supply cord:

Use a UL Listed power supply cord kit marked for use with clothes dryers. The kit should contain:

- A UL Listed 30 amp power supply cord, rated 120/240 volt minimum. The cord should be type SRD or SRDT and be at least 4 ft. (1.22 m) long. The wires that connect to the dryer must end in ring terminals or spade terminals with upturned ends.
- A UL Listed strain relief.

If your outlet looks like this:



4-wire receptacle (14-30R)

Then choose a 4-wire power supply cord with ring or spade terminals and UL Listed strain relief. The 4-wire power supply cord, at least 4 ft. (1.22 m) long, must have four 10-gauge copper wires and match a 4-wire receptacle of NEMA Type 14-30R. The ground wire (ground conductor) may be either green or bare. The neutral conductor must be identified by a white cover.



3-wire receptacle (10-30R)

Then choose a 3-wire power supply cord with ring or spade terminals and UL Listed strain relief. The 3-wire power supply cord, at least 4 ft. (1.22 m) long, must have three 10-gauge copper wires and match a 3-wire receptacle of NEMA Type 10-30R.

If connecting by direct wire:

Power supply cable must match power supply (4-wire or 3-wire) and be:

- Flexible armored cable or nonmetallic sheathed copper cable (with ground wire), covered with flexible metallic conduit. All current-carrying wires must be insulated.
- 10-gauge solid copper wire (do not use aluminum) at least 5 ft. (1.52 m) long.

GROUNDING INSTRUCTIONS

- For a grounded, cord-connected dryer:
This dryer must be grounded. In the event of malfunction or breakdown, grounding will reduce the risk of electric shock by providing a path of least resistance for electric current. This dryer uses a cord having an equipment-grounding conductor and a grounding plug. The plug must be plugged into an appropriate outlet that is properly installed and grounded in accordance with all local codes and ordinances.
- For a permanently connected dryer:
This dryer must be connected to a grounded metal, permanent wiring system, or an equipment-grounding conductor must be run with the circuit conductors and connected to the equipment-grounding terminal or lead on the dryer.

WARNING: Improper connection of the equipment-grounding conductor can result in a risk of electric shock. Check with a qualified electrician or service representative or personnel if you are in doubt as to whether the dryer is properly grounded. Do not modify the plug on the power supply cord: if it will not fit the outlet, have a proper outlet installed by a qualified electrician.

SAVE THESE INSTRUCTIONS

ELECTRIC DRYER POWER HOOKUP – CANADA ONLY

ELECTRICAL REQUIREMENTS

WARNING



Electrical Shock Hazard

Plug into a grounded 4 prong outlet.

Failure to do so can result in death or electrical shock.

It is your responsibility:

- To contact a qualified electrical installer.
- To be sure that the electrical connection is adequate and in conformance with Canadian Electrical Code, C22.1 – latest edition and all local codes. A copy of above codes standard may be obtained from: Canadian Standards Association, 178 Rexdale Blvd., Toronto, ON M9W 1R3 CANADA.
- To supply the required 4-wire, single-phase, 120/240 volt, 60 Hz, AC-only electrical supply on a separate 30 amp circuit, fused on both sides of the line. A time-delay fuse or circuit breaker is recommended. Connect to an individual branch circuit.
- This dryer is equipped with a UL Listed and/or CSA International Certified Power Cord intended to be plugged into a standard 14-30R wall receptacle. The cord is 5 ft. (1.52 m) long. Be sure wall receptacle is within reach of dryer's final location.



4-wire receptacle
(14-30R)

If using a replacement power supply cord, it is recommended that you use Power Supply Cord Replacement Part Number 8529008. For further information, please reference service numbers located in the “Assistance or Service” section of your Use and Care Guide.

GROUNDING INSTRUCTIONS

- For a grounded, cord-connected dryer:
This dryer must be grounded. In the event of malfunction or breakdown, grounding will reduce the risk of electric shock by providing a path of least resistance for electric current. This dryer is equipped with a cord having an equipment-grounding conductor and a grounding plug. The plug must be plugged into an appropriate outlet that is properly installed and grounded in accordance with all local codes and ordinances.

WARNING: Improper connection of the equipment-grounding conductor can result in a risk of electric shock. Check with a qualified electrician or service representative or personnel if you are in doubt as to whether the dryer is properly grounded. Do not modify the plug provided with the dryer: if it will not fit the outlet, have a proper outlet installed by a qualified electrician.

SAVE THESE INSTRUCTIONS

GAS DRYER POWER HOOKUP

ELECTRICAL REQUIREMENTS

WARNING



Electrical Shock Hazard

Plug into a grounded 3 prong outlet.

Do not remove ground prong.

Do not use an adapter.

Do not use an extension cord.

Failure to follow these instructions can result in death, fire, or electrical shock.

- 120 volt, 60 Hz, AC-only, 15 or 20 amp fused electrical supply is required. A time-delay fuse or circuit breaker is recommended. It is also recommended that a separate circuit serving only this dryer be provided.

GROUNDING INSTRUCTIONS

- For a grounded, cord-connected dryer:
This dryer must be grounded. In the event of malfunction or breakdown, grounding will reduce the risk of electric shock by providing a path of least resistance for electric current. This dryer is equipped with a cord having an equipment-grounding conductor and a grounding plug. The plug must be plugged into an appropriate outlet that is properly installed and grounded in accordance with all local codes and ordinances.

WARNING: Improper connection of the equipment-grounding conductor can result in a risk of electric shock. Check with a qualified electrician or service representative or personnel if you are in doubt as to whether the dryer is properly grounded. Do not modify the plug provided with the dryer: if it will not fit the outlet, have a proper outlet installed by a qualified electrician.

SAVE THESE INSTRUCTIONS

GAS SUPPLY REQUIREMENTS

⚠ WARNING



Explosion Hazard

Use a new CSA International approved gas supply line.

Install a shut-off valve.

Securely tighten all gas connections.

If connected to propane, have a qualified person make sure gas pressure does not exceed 13" (330 mm) water column.

Examples of a qualified person include:
licensed heating personnel,
authorized gas company personnel, and
authorized service personnel.

Failure to do so can result in death, explosion, or fire.

GAS TYPE

Natural Gas:

This dryer is equipped for use with natural gas. It is certified by UL for use with propane gas with appropriate conversion.

- Your dryer must have the correct burner for the type of gas in your home. Burner information is located on the rating plate in the door well of your dryer. If this information does not agree with the type of gas available, contact your dealer or call the phone numbers referenced in the "Assistance or Service" section of your Use and Care Guide.

Propane Gas Conversion:

IMPORTANT: Conversion must be made by a qualified technician.

No attempt shall be made to convert the appliance from the gas specified on the model/serial rating plate for use with a different gas without consulting your gas company.

GAS SUPPLY LINE

Option 1 (Recommended Method)

Flexible stainless steel gas connector:

- If local codes permit, use a new flexible stainless steel gas connector (Design Certified by the American Gas Association or CSA International) to connect your dryer to the rigid gas supply line. Use an elbow and a 3/8" flare x 3/8" NPT adapter fitting between the stainless steel gas connector and the dryer gas pipe, as needed, to prevent kinking.

Option 2 (Alternate Method)

Approved aluminum or copper tubing:

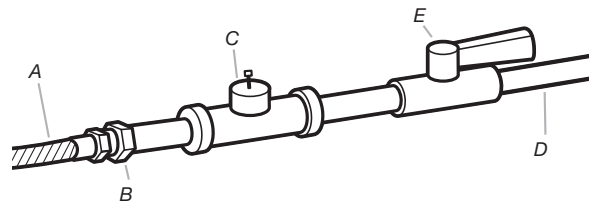
- Must include 1/8" NPT minimum plugged tapping accessible for test gauge connection, immediately upstream of the gas connection to the dryer. See illustration below.
 - 1/2" IPS pipe is recommended.
 - 3/8" approved aluminum or copper tubing is acceptable for lengths under 20 ft. (6.1 m) if local codes and gas supplier permit.
 - If you are using natural gas, do not use copper tubing.
 - Lengths over 20 ft. (6.1 m) should use larger tubing and a different size adapter fitting.
 - If your dryer has been converted to use propane gas, 3/8" propane compatible copper tubing can be used. If the total length of the supply line is more than 20 ft. (6.1 m), use larger pipe.
- NOTE:** Pipe-joint compounds that resist the action of propane gas must be used. Do not use TEFLON[†] tape.
- Must include shut-off valve.

In the U.S.A.:

An individual manual shut-off valve must be installed within six (6) ft. (1.8 m) of the dryer in accordance with the National Fuel Gas Code, ANSI Z223.1. The location should be easy to reach for opening and closing.

In Canada:

An individual manual shut-off valve must be installed in accordance with the B149.1, Natural Gas and Propane Installation Code. It is recommended that an individual manual shut-off valve be installed within six (6) ft. (1.8 m) of the dryer. The location should be easy to reach for opening and closing.



- A. 3/8" flexible gas connector
- B. 3/8" pipe to flare adapter fitting
- C. 1/8" NPT minimum plugged tapping
- D. 1/2" NPT gas supply line
- E. Gas shut-off valve

[†]TEFLON is a registered trademark of Chemours.

GAS SUPPLY CONNECTION REQUIREMENTS

- Use an elbow and a 3/8" flare x 3/8" NPT adapter fitting between the flexible gas connector and the dryer gas pipe, as needed to avoid kinking.
- Use only pipe-joint compound. Do not use TEFLON® tape.
- This dryer must be connected to the gas supply line with a listed flexible gas connector that complies with the standard for connectors for gas appliances, ANSI Z21.24 or CSA 6.10.

BURNER INPUT REQUIREMENTS

Elevations above 2,000 ft. (610 m):

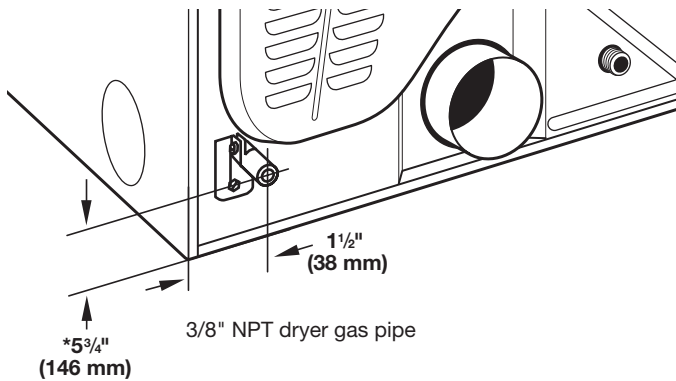
- When installed above 2,000 ft. (610 m) a 4% reduction of the burner Btu rating shown on the model/serial number plate is required for each 1,000 ft. (305 m) increase in elevation.

Gas supply pressure testing

- The dryer must be disconnected from the gas supply piping system during pressure testing at pressures greater than 1/2 psi.

DRYER GAS PIPE

- The gas pipe that comes out through the rear of your dryer has a 3/8" male pipe thread.



***NOTE:** If the dryer is mounted on a pedestal, the gas pipe height must be an additional 10" (254 mm) or 15.5" (394 mm) from the floor, depending on the pedestal model. For a garage installation, the gas pipe height must be an additional 18" (460 mm) from the floor.

INSTALL LEVELING LEGS

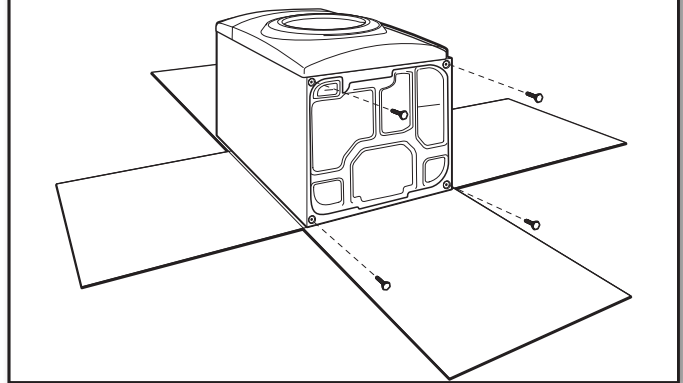
! WARNING

Excessive Weight Hazard

Use two or more people to move and install dryer.

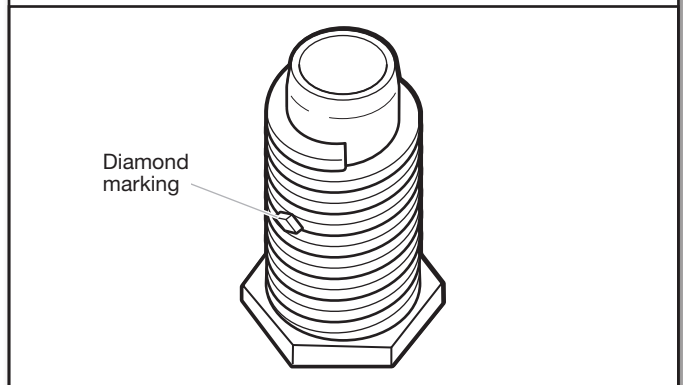
Failure to do so can result in back or other injury.

1. Prepare dryer for leveling legs



To avoid damaging floor, use a large flat piece of cardboard from dryer carton; place under entire back edge of dryer. Firmly grasp dryer body (not console panel) and gently lay dryer down on cardboard.

2. Screw in leveling legs



Examine leveling legs and locate the diamond marking. Screw legs into leg holes by hand – use a wrench to finish turning legs until diamond marking is no longer visible.

Place a carton corner post from dryer packaging under each of the two dryer back corners. Stand the dryer up. Slide the dryer on the corner posts until it is close to its final location. Leave enough room to connect the exhaust vent.

MAKE ELECTRICAL CONNECTION – U.S.A. ONLY

ELECTRICAL CONNECTION

Power Supply Cord:

WARNING



Fire Hazard

- Use a new UL listed 30 amp power supply cord.
- Use a UL listed strain relief.
- Disconnect power before making electrical connections.
- Connect neutral wire (white or center wire) to center terminal (silver).
- Ground wire (green or bare wire) must be connected to green ground connector.
- Connect remaining 2 supply wires to remaining 2 terminals (gold).
- Securely tighten all electrical connections.
- Failure to do so can result in death, fire, or electrical shock.

Before you start: disconnect power.

1. Choose electrical connection type



Power supply cord 4-wire receptacle (NEMA Type 14-30R).
Go to “Power Supply Cord Connection.”



Power supply cord 3-wire receptacle (NEMA Type 10-30R).
Go to “Power Supply Cord Connection.”



4-wire direct connection:
Go to “Direct Wire Connection.”



3-wire direct connection:
Go to “Direct Wire Connection.”

NOTE: If local codes do not permit connection of a cabinet-ground conductor to neutral wire, go to “Optional External Ground for 3-Wire Connection.” This connection may be used with either a power supply cord or a direct wire connection.

For direct wire installations:

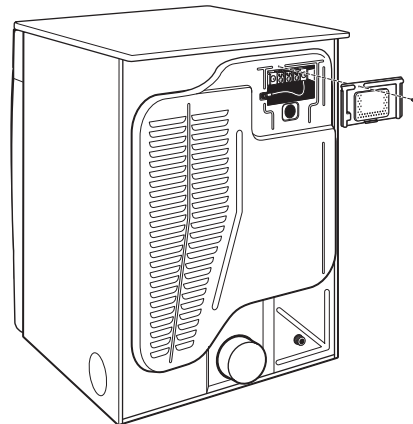
WARNING



Fire Hazard

- Use 10 gauge copper wire.
- Use a UL listed strain relief.
- Disconnect power before making electrical connections.
- Connect neutral wire (white or center wire) to center terminal (silver).
- Ground wire (green or bare wire) must be connected to green ground connector.
- Connect remaining 2 supply wires to remaining 2 terminals (gold).
- Securely tighten all electrical connections.
- Failure to do so can result in death, fire, or electrical shock.

2. Remove terminal block cover

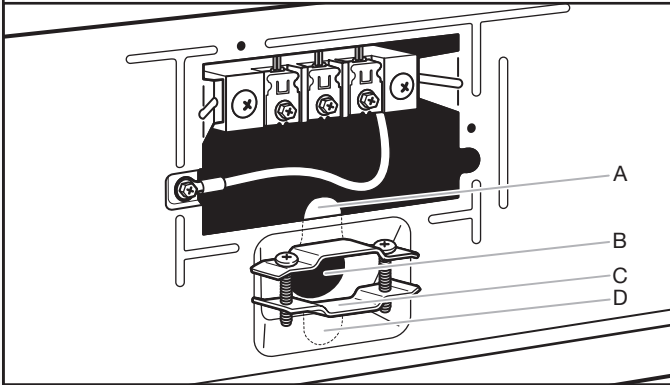


Remove hold-down screw and terminal block cover.

Power Supply Cord Connection

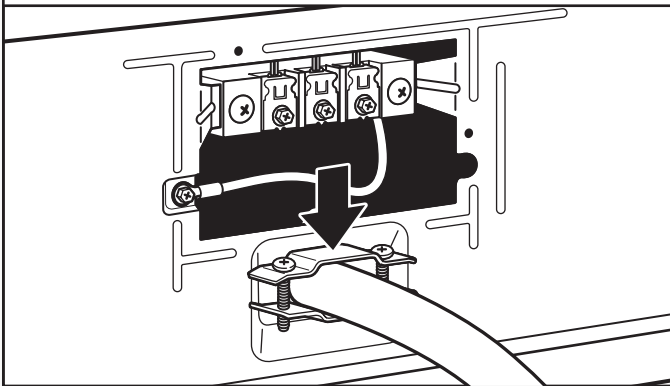
Power supply cord strain relief

1. Attach power supply cord strain relief



Remove the screws from a 3/4" (19 mm) UL Listed strain relief. Put the tabs of the two clamp sections (C) into the hole below the terminal block opening (B) so that one tab is pointing up (A) and the other is pointing down (D), and hold in place. Tighten strain relief screws just enough to hold the two clamp sections (C) together.

2. Attach power supply cord to strain relief



Put power supply cord through the strain relief. Be sure that the wire insulation on the power supply cord is inside the strain relief. The strain relief should have a tight fit with the dryer cabinet and be in a horizontal position. Do not further tighten strain relief screws at this point.

If your outlet looks like this:



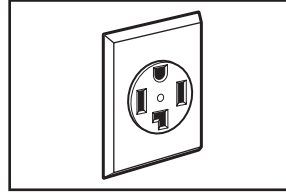
Power supply cord 4-wire receptacle (NEMA Type 14-30R):
Go to "4-Wire Power Supply Cord Connection" on this page.



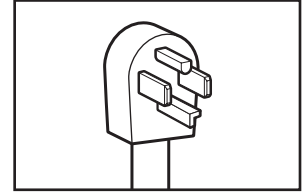
Power supply cord 3-wire receptacle (NEMA Type 10-30R):
Go to "3-Wire Power Supply Cord Connection" on page 13.

4-Wire Power Supply Cord Connection

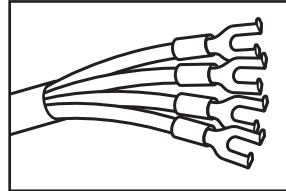
IMPORTANT: A 4-wire connection is required for mobile homes and where local codes do not permit the use of 3-wire connections.



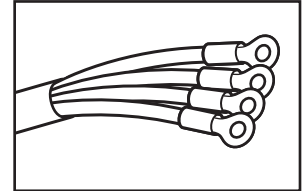
4-wire receptacle (NEMA type 14-30R)



4 prong plug

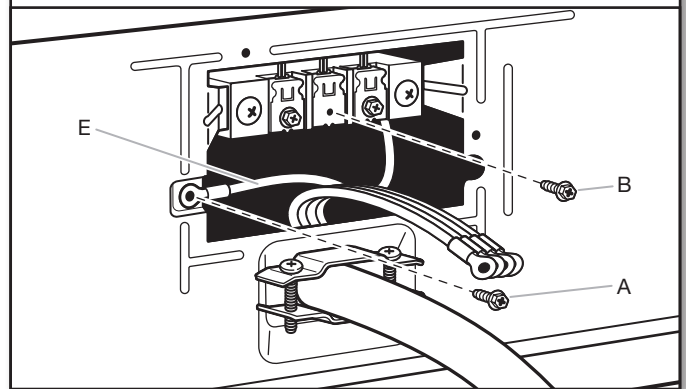


Spade terminals with upturned ends



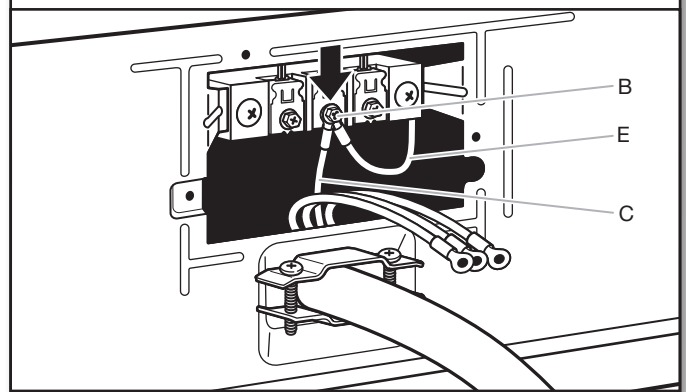
Ring terminals

1. Prepare to connect neutral ground wire and neutral wire



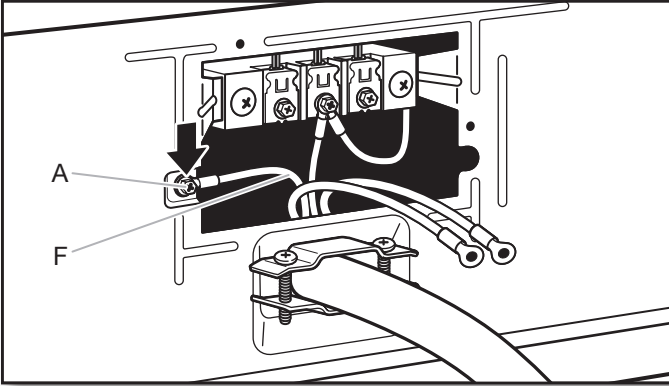
Remove center terminal block screw (B). Remove neutral ground wire (E) from green external ground conductor screw (A).

2. Connect neutral ground wire and neutral wire



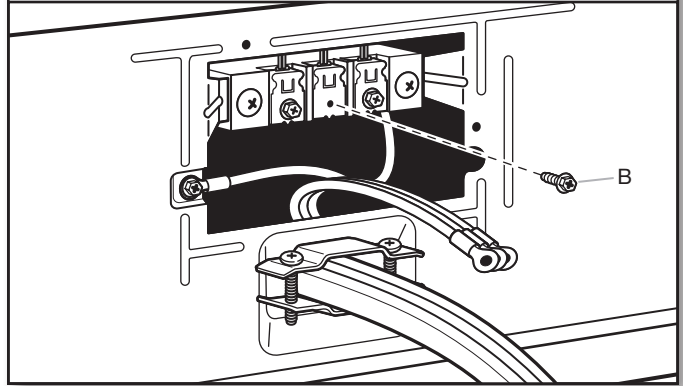
Connect neutral ground wire (E) and neutral wire (white or center) (C) of power supply cord under center terminal block screw (B). Tighten screw.

3. Connect ground wire



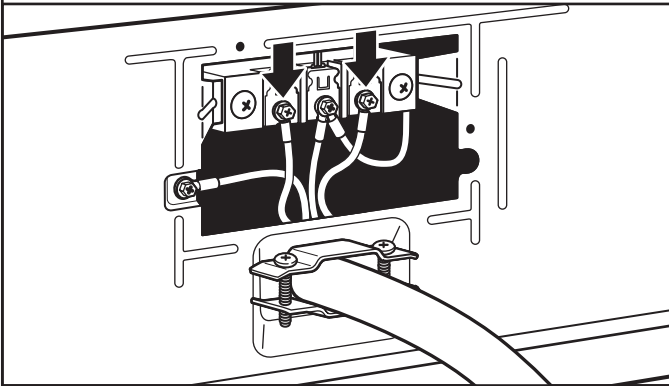
Connect ground wire (F) (green or bare) of power supply cord under green external ground conductor screw (A). Tighten screw.

1. Remove center screw



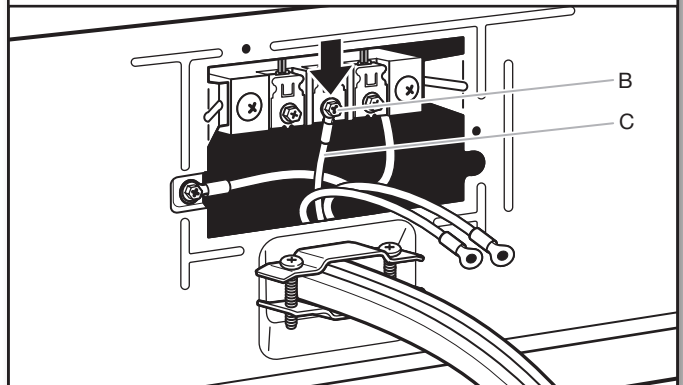
Remove center terminal block screw (B).

4. Connect remaining wires



Connect remaining wires under outer terminal block screws. Tighten screws. Finally, reinsert tab of terminal block cover into slot of dryer rear panel. Secure cover with hold-down screw. Now go to "Venting Requirements."

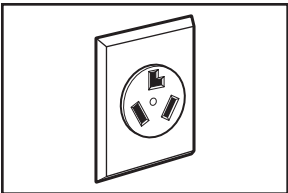
2. Connect neutral wire



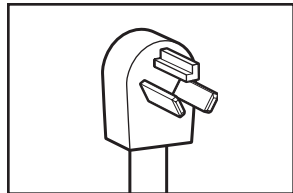
Connect neutral wire (white or center) (C) of power supply cord under center terminal block screw (B). Tighten screw.

3-Wire Power Supply Cord Connection

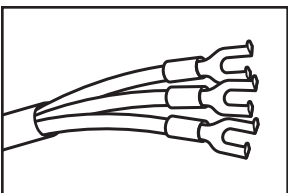
Use where local codes permit connecting cabinet-ground conductor to neutral wire.



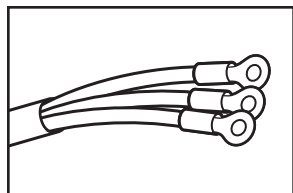
3-wire receptacle
(NEMA type 10-30R)



3 prong plug

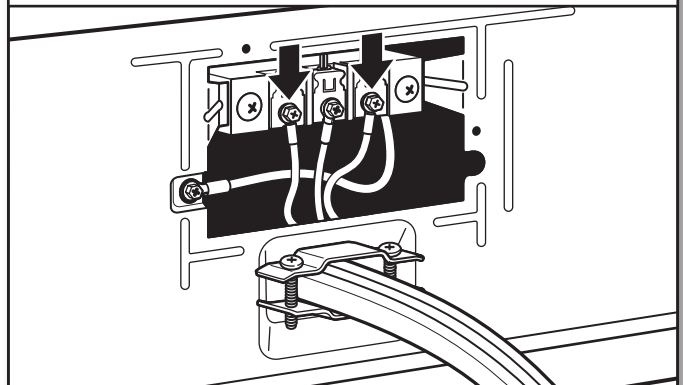


Spade terminals
with upturned ends



Ring terminals

3. Connect remaining wires

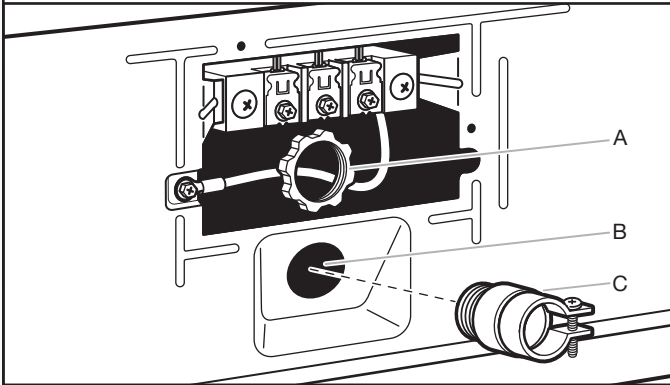


Connect remaining wires under outer terminal block screws. Tighten screws. Finally, reinsert tab of terminal block cover into slot of dryer rear panel. Secure cover with hold-down screw. Now go to "Venting Requirements."

Direct Wire Connection

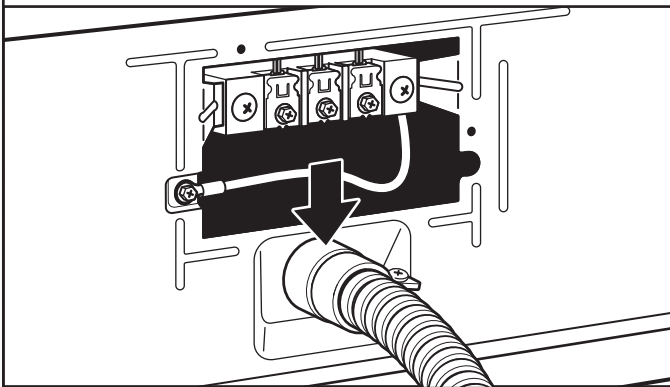
Direct wire strain relief

1. Attach direct wire strain relief



Unscrew the removable conduit connector (A) and any screws from a 3/4" (19 mm) UL Listed strain relief. Put the threaded section of the strain relief (C) through the hole below the terminal block opening (B). Reaching inside the terminal block opening, screw the removable conduit connector (A) onto the strain relief threads and tighten securely.

2. Attach direct wire cable to strain relief



Put direct wire cable through the strain relief. The strain relief should have a tight fit with the dryer cabinet and be in a horizontal position. Tighten strain relief screw against the direct wire cable.

If your wiring looks like this:



4-wire direct connection:
Go to "4-Wire Direct Wire Connection" on this page.

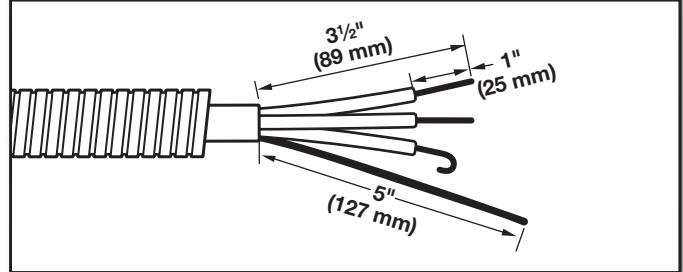


3-wire direct connection:
Go to "3-Wire Direct Wire Connection" on page 15.

4-Wire Direct Wire Connection

IMPORTANT: A 4-wire connection is required for mobile homes and where local codes do not permit 3-wire connections.

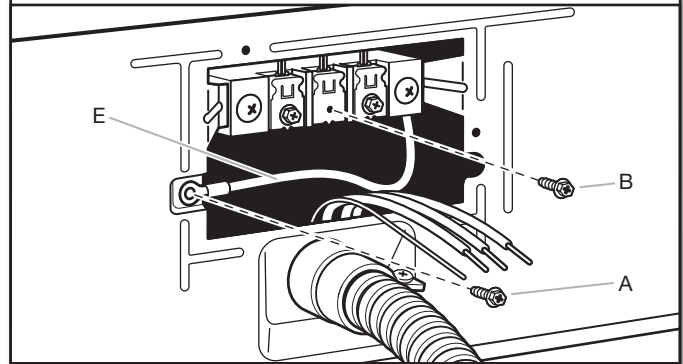
1. Prepare your 4-wire cable for direct connection



Direct wire cable must have 5 ft. (1.52 m) of extra length so dryer may be moved if needed.

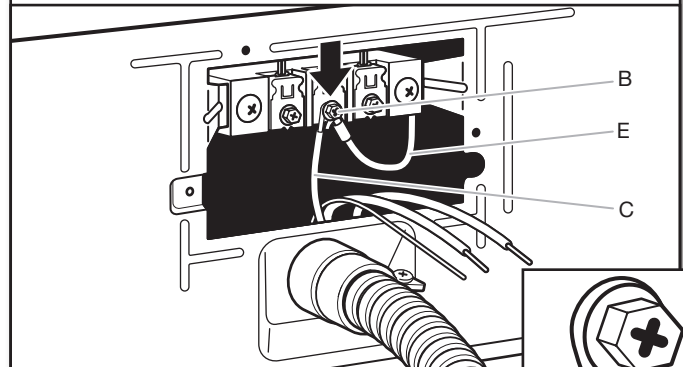
Strip 5" (127 mm) of outer covering from end of cable, leaving bare ground wire at 5" (127 mm). Cut 1 1/2" (38 mm) from remaining three wires. Strip insulation back 1" (25 mm). Shape ends of wires into hooks.

2. Prepare to connect neutral ground wire and neutral wire



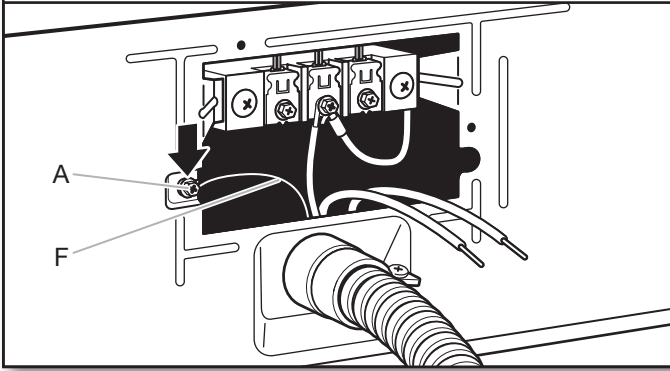
Remove center terminal block screw (B). Remove neutral ground wire (E) from green external ground conductor screw (A).

3. Connect neutral ground wire and neutral wire



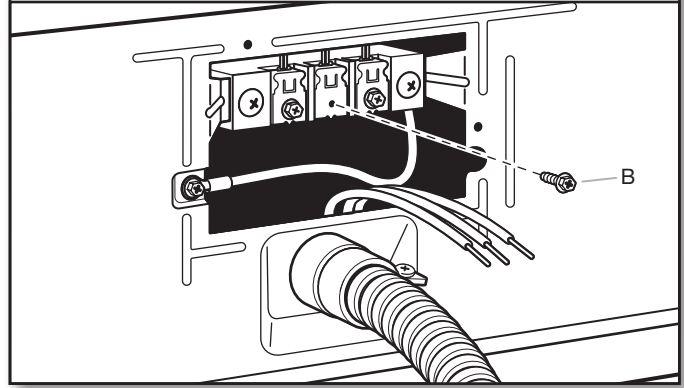
Connect neutral ground wire (E) and place hooked end (hook facing right) of neutral wire (white or center wire) (C) of direct wire cable under center screw of terminal block (B). Squeeze hooked ends together and tighten screw.

4. Connect ground wire



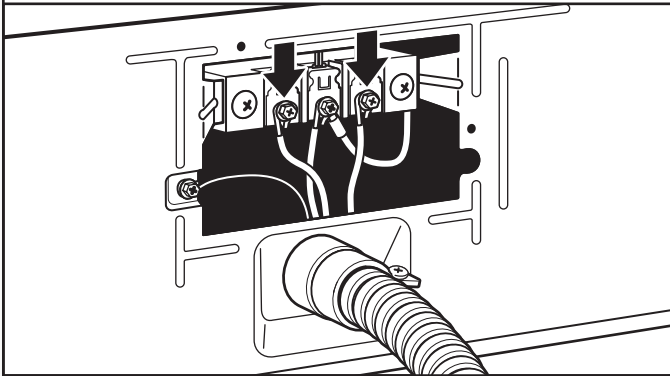
Connect ground wire (green or bare) (F) of direct wire cable under green external ground conductor screw (A). Tighten screw.

2. Remove center screw



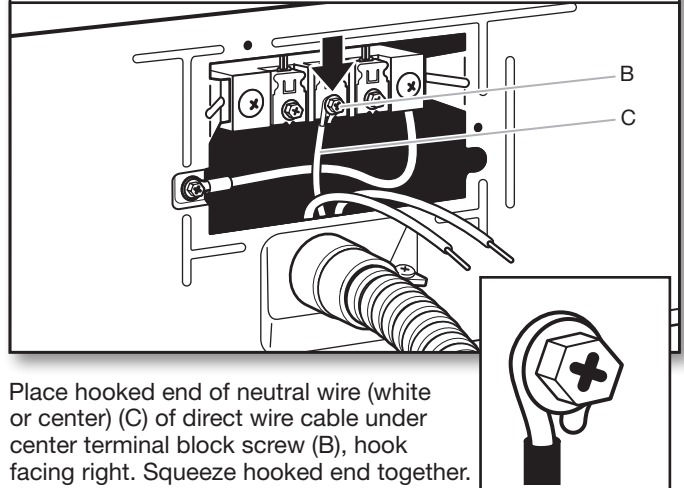
Remove center terminal block screw (B).

5. Connect remaining wires



Place hooked ends of remaining direct wire cable wires under outer terminal block screws (hooks facing right). Squeeze hooked ends together and tighten screws. Finally, reinsert tab of terminal block cover into slot of dryer rear panel. Secure cover with hold-down screw. Now go to "Venting Requirements."

3. Connect neutral wire

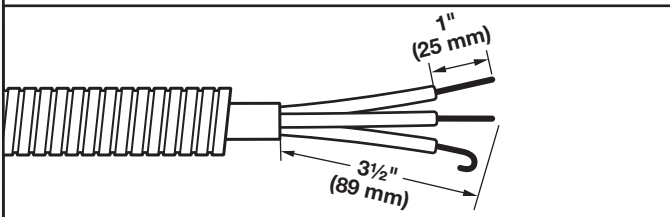


Place hooked end of neutral wire (white or center) (C) of direct wire cable under center terminal block screw (B), hook facing right. Squeeze hooked end together. Tighten screw.

3-Wire Direct Wire Connection

Use where local codes permit connecting cabinet-ground conductor to neutral wire.

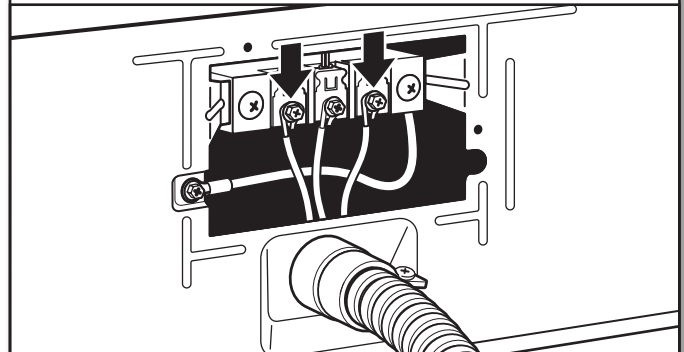
1. Prepare your 3-wire cable for direct connection



Direct wire cable must have 5 ft. (1.52 m) of extra length so dryer may be moved if needed.

Strip 3 1/2" (89 mm) of outer covering from end of cable. Strip insulation back 1" (25 mm). If using 3-wire cable with ground wire, cut bare wire even with outer covering. Shape wire ends into hooks.

4. Connect remaining wires

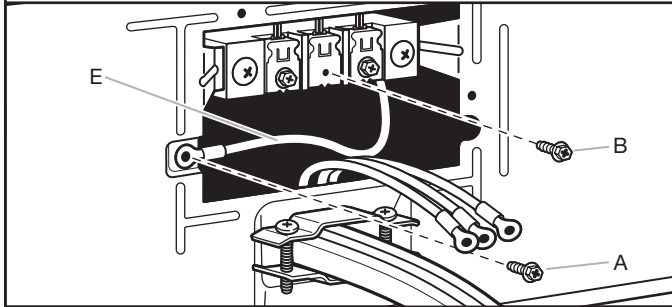


Place hooked ends of remaining direct wire cable wires under outer terminal block screws (hooks facing right). Squeeze hooked ends together and tighten screws. Finally, reinsert tab of terminal block cover into slot of dryer rear panel. Secure cover with hold-down screw. Now go to "Venting Requirements."

Optional External Ground for 3-Wire Connection (Power Supply Cord Shown)

IMPORTANT: You must verify with a qualified electrician that this grounding method is acceptable before connecting.

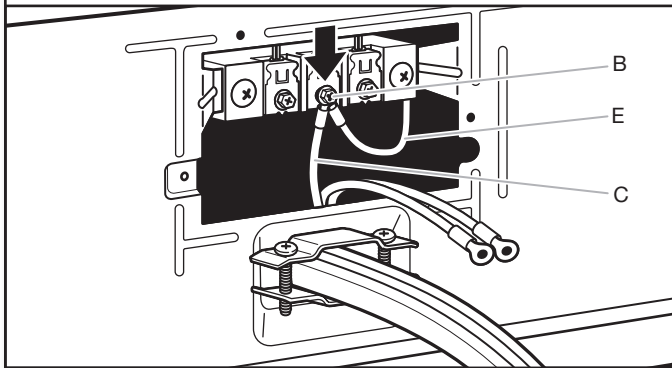
1. Prepare to connect neutral ground wire and neutral wire



Install the correct strain relief for your electrical connection method, as shown on page 12 or 14.

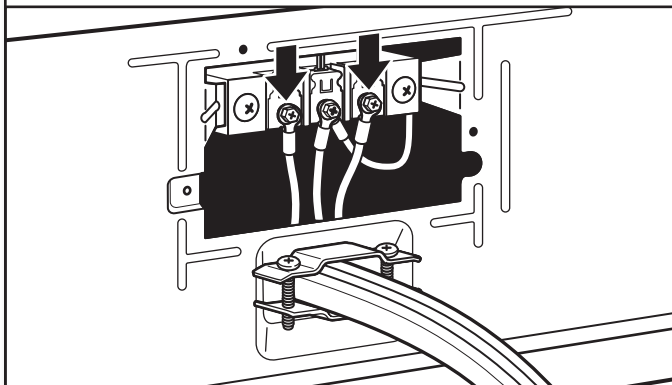
Remove center terminal block screw (B). Remove neutral ground wire (E) from green external ground conductor screw (A).

2. Connect neutral ground wire and neutral wire



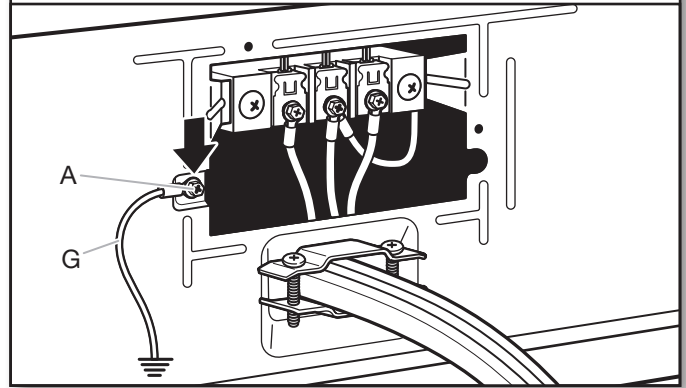
Connect neutral ground wire (E) and neutral wire (white or center wire) (C) of power supply cord or cable under center terminal block screw (B). Tighten screw.

3. Connect remaining wires



Place ends of remaining wires under outer terminal block screws. Tighten screws.

4. Connect external ground wire



Connect a separate copper ground wire (G) under the green external ground conductor screw (A) to an adequate ground. Finally, reinsert tab of terminal block cover into slot of dryer rear panel. Secure cover with hold-down screw. Now go to "Venting Requirements."

MAKE GAS CONNECTION

(Gas models only)

⚠ WARNING



Explosion Hazard

Use a new CSA International approved gas supply line.

Install a shut-off valve.

Securely tighten all gas connections.

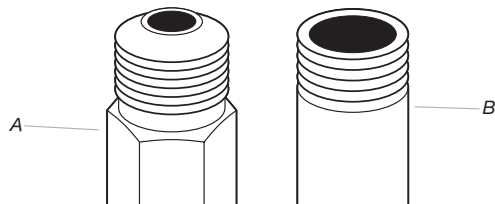
If connected to propane, have a qualified person make sure gas pressure does not exceed 13" (330 mm) water column.

Examples of a qualified person include:

licensed heating personnel,
authorized gas company personnel, and
authorized service personnel.

Failure to do so can result in death, explosion, or fire.

1. Connect gas supply to dryer

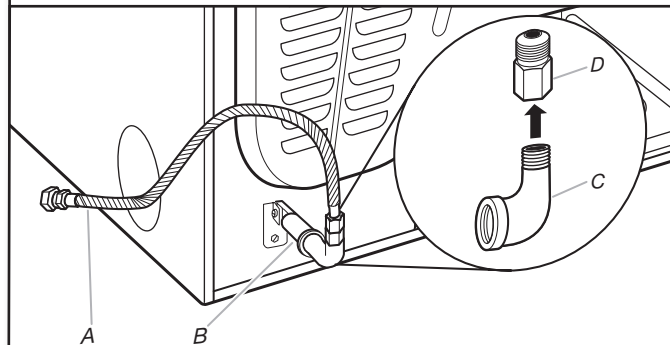


A. Flared male fitting
B. Non-flared male fitting

Remove red cap from gas pipe. Using a wrench to tighten, connect gas supply to dryer. Use pipe-joint compound on threads of all non-flared male fittings. If flexible metal tubing is used, be sure there are no kinks.

NOTE: For propane gas connections, you must use pipe-joint compound resistant to action of propane gas. Do not use TEFLON® tape.

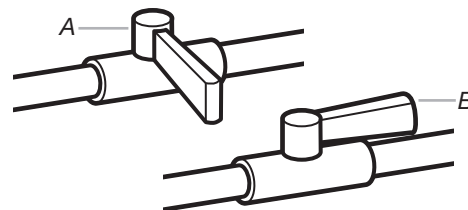
2. Plan pipe fitting connection (Option 1)



A. 3/8" flexible gas connector
B. 3/8" dryer gas pipe
C. 3/8" to 3/8" pipe elbow
D. 3/8" pipe-to-flare adapter fitting

A combination of pipe fittings must be used to connect dryer to existing gas line. A recommended connection is shown. Your connection may be different, according to supply line type, size, and location.

3. Open shut-off valve



A. Closed valve
B. Open valve

Open shut-off valve in supply line; valve is open when handle is parallel to gas pipe. Then, test all connections by brushing on an approved noncorrosive leak-detection solution. Bubbles will show a leak. Correct any leak found.

VENTING

Venting Requirements

⚠ WARNING



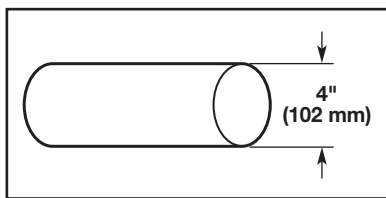
Fire Hazard

- Use a heavy metal vent.
- Do not use a plastic vent.
- Do not use a metal foil vent.

Failure to follow these instructions can result in death or fire.

WARNING: To reduce the risk of fire, this dryer MUST BE EXHAUSTED OUTDOORS.

IMPORTANT: Observe all governing codes and ordinances. Dryer exhaust must not be connected into any gas vent, chimney, wall, ceiling, attic, crawlspace, or a concealed space of a building. Only rigid or flexible metal vent shall be used for exhausting.



4" (102 mm) heavy metal exhaust vent

- Only a 4" (102 mm) heavy metal exhaust vent and clamps may be used.
- Do not use plastic or metal foil vent.

Rigid metal vent:

- Recommended for best drying performance and to avoid crushing and kinking.

Flexible metal vent: (Acceptable only if accessible to clean)

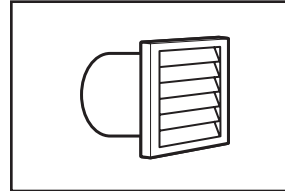
- Must be fully extended and supported in final dryer location.
- Remove excess to avoid sagging and kinking that may result in reduced airflow and poor performance.
- Do not install in enclosed walls, ceilings, or floors.
- The total length should not exceed 7¾ ft. (2.4 m).
- The length of flexible metal vent used must be included in the overall vent system design as shown in the "Vent System Charts."

NOTE: If using an existing vent system, clean lint from entire length of the system and make sure exhaust hood is not plugged with lint. Replace plastic or metal foil vents with rigid metal or flexible metal vents. Review "Vent System Charts" and, if necessary, modify existing vent system to achieve best drying performance.

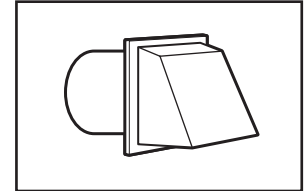
Exhaust hoods:

- An exhaust hood should cap the vent to keep rodents and insects from entering the home.
- Must be at least 12" (305 mm) from ground or any object that may obstruct exhaust (such as flowers, rocks, bushes, or snow).
- Do not use an exhaust hood with a magnetic latch.

Recommended Styles:

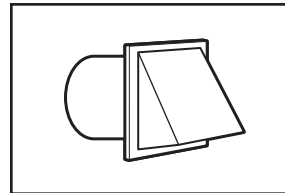


Louvered Hood



Box Hood

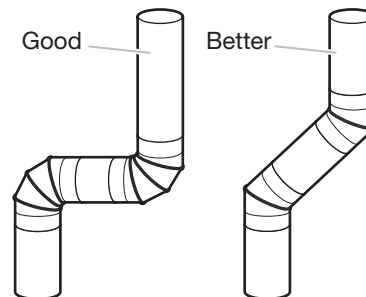
Acceptable Style:



Angled Hood

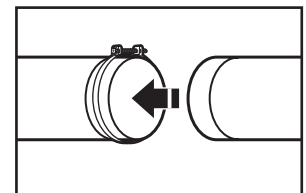
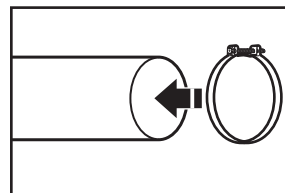
Elbows:

- 45° elbows provide better airflow than 90° elbows.



Clamps:

- Use clamps to seal all joints.
- Exhaust vent must not be connected or secured with screws or other fastening devices that extend into interior of duct and catch lint. Do not use duct tape.

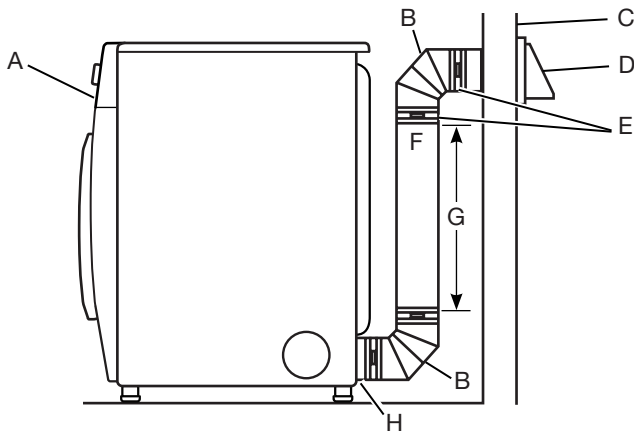


Improper venting can cause moisture and lint to collect indoors, which may result in:

- Moisture damage to woodwork, furniture, paint, wallpaper, carpets, etc.
- Housecleaning problems and health problems.

Plan Vent System

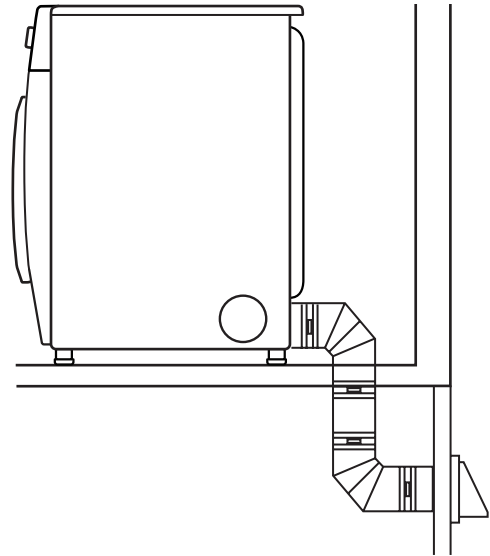
Recommended exhaust installation:



- A. Dryer
- B. Elbow
- C. Wall
- D. Exhaust hood
- E. Clamps
- F. Rigid metal or flexible metal vent
- G. Vent length necessary to connect elbows
- H. Exhaust outlet

Special provisions for mobile homes:

Exhaust vent must be securely fastened to a noncombustible portion of mobile home and must not terminate beneath the mobile home. Terminate exhaust vent outside.



Determine vent path:

- Select route that will provide straightest and most direct path outdoors.
- Plan installation to use fewest number of elbows and turns.
- When using elbows or making turns, allow as much room as possible.
- Bend vent gradually to avoid kinking.
- Use as few 90° turns as possible.

Determine vent length and elbows needed for best drying performance:

- Use the following "Vent System Charts" to determine type of vent material and hood combinations acceptable to use.


NOTE: Do not use vent runs longer than those specified in "Vent System Charts."

Exhaust systems longer than those specified will:

- Shorten life of dryer.
- Reduce performance, resulting in longer drying times and increased energy usage.

The "Vent System Charts" provide venting requirements that will help achieve best drying performance.

⚠ WARNING



Fire Hazard

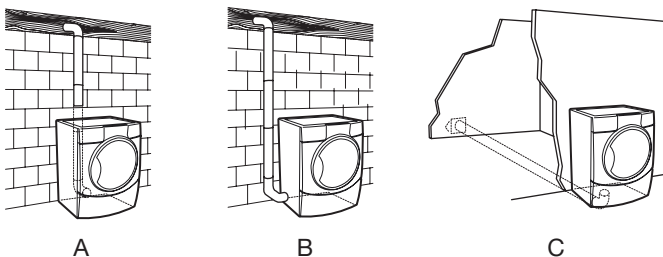
Cover unused exhaust holes with a manufacturer's exhaust cover kit.

Contact your local dealer.

Failure to follow these instructions can result in death, fire, electrical shock, or serious injury.

Optional exhaust installations:

This dryer can be converted to exhaust out the right side, left side (all models except long vent), or through the bottom. If you prefer, you may contact your local dealer to have the dryer converted.



- A. Standard rear offset exhaust installation
- B. Left- or right-side exhaust installation
- C. Bottom exhaust installation

Standard Vent System Chart

Number of 90° elbows	Type of vent	Angled hoods
0	Rigid metal	64 ft. (20 m)
1	Rigid metal	54 ft. (16.5 m)
2	Rigid metal	44 ft. (13.4 m)
3	Rigid metal	35 ft. (10.7 m)
4	Rigid metal	27 ft. (8.2 m)

Long Vent System Chart

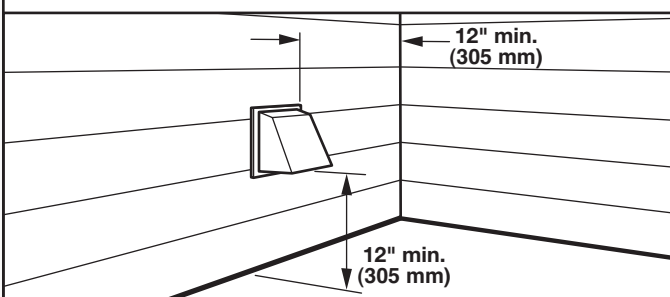
Number of 90° elbows	Type of vent	Angled hoods
0	Rigid metal	160 ft. (48.8 m)
1	Rigid metal	150 ft. (45.7 m)
2	Rigid metal	140 ft. (42.7 m)
3	Rigid metal	130 ft. (39.6 m)
4	Rigid metal	120 ft. (36.6 m)

To determine if your model has a long vent system, refer to the type code located on the serial number plate in the inner door well. Example: An electric model would be **DALV** – ELE – XXXXXXX-XXX. A gas model would be **DALV** – NAT – XXXXXXX-XXX.

NOTE: For long vent systems, use of box/louvered hoods will improve venting regardless of length.

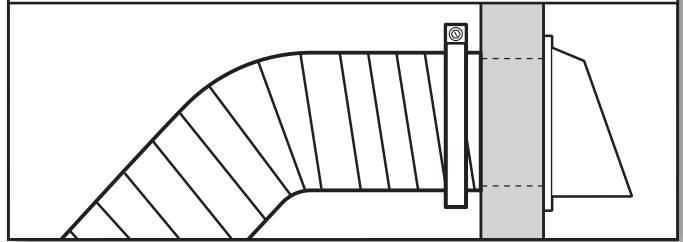
Install Vent System

1. Install exhaust hood



Install exhaust hood and use caulking compound to seal exterior wall opening around exhaust hood.

2. Connect vent to exhaust hood



Vent must fit over the exhaust hood. Secure vent to exhaust hood with 4" (102 mm) clamp. Run vent to dryer location using straightest path possible. Avoid 90° turns. Use clamps to seal all joints. Do not use duct tape, screws, or other fastening devices that extend into interior of vent to secure vent, because they can catch lint.

CONNECT INLET HOSE (STEAM MODEL ONLY)

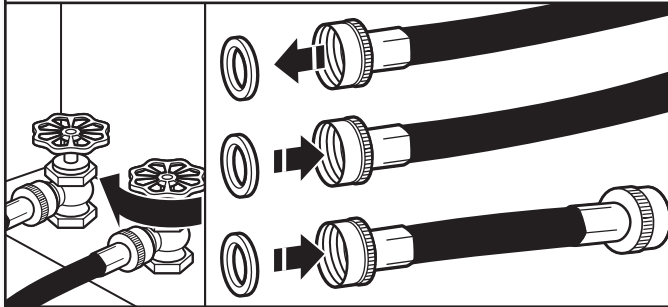
For non-steam models, skip to “Connect Vent.”

The dryer must be connected to the cold water faucet using the new inlet hoses (not supplied). Do not use old hoses.

NOTE: Replace inlet hoses after 5 years of use to reduce the risk of hose failure. Record hose installation or replacement dates on the hoses for future reference.

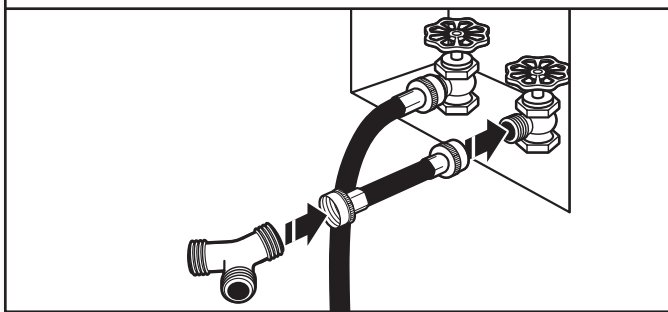
Periodically inspect and replace hoses if bulges, kinks, cuts, wear, or leaks are found.

1. Turn cold water off, remove hose, and replace rubber washer



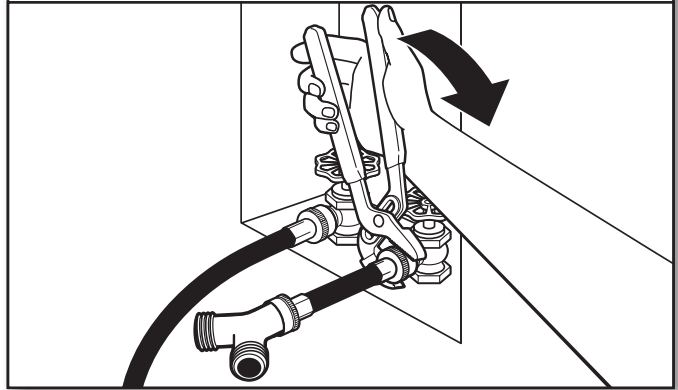
Turn cold water faucet off and remove washer inlet hose. Remove old rubber washer from inlet hose and replace with new rubber washer.

2. Attach short hose and “Y” connector



Attach 2 ft. (0.6 m) inlet hose to cold water faucet. Screw on coupling by hand until it is seated on faucet. Then attach “Y” connector to male end of the 2 ft. (0.6 m) inlet hose. Screw on coupling by hand until it is seated on connector.

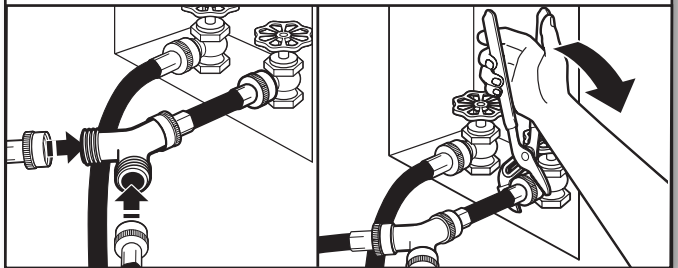
3. Tighten couplings



Using pliers, tighten the couplings with additional 2/3 turn.

NOTE: Do not overtighten. Damage to the coupling can result.

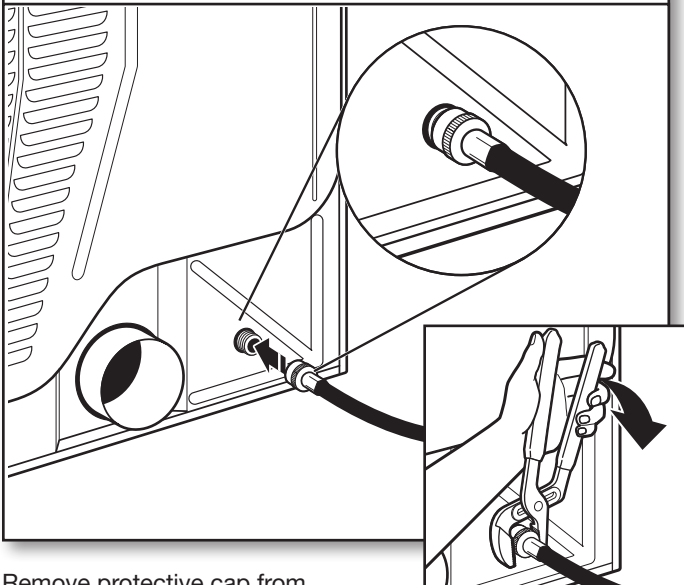
4. Attach long hose to “Y” connector and tighten couplings



Attach one of the 5 ft. (1.5 m) inlet hose ends to the “Y” connector. Attach washer cold inlet hose to other side of “Y” connector. Screw on coupling by hand until it is seated on connector. Using pliers, tighten the couplings an additional 2/3 turn.

NOTE: Do not overtighten. Damage to the coupling can result.

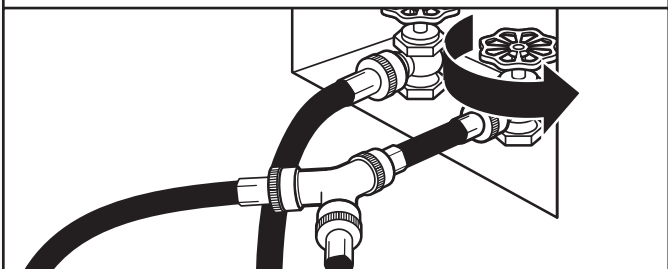
5. Attach long hose to dryer fill valve and tighten coupling



Remove protective cap from water inlet valve. Attach other end of long hose to fill valve at bottom of dryer back panel. Screw on coupling by hand until it is seated on fill valve connector. Using pliers, tighten the couplings an additional 2/3 turn.

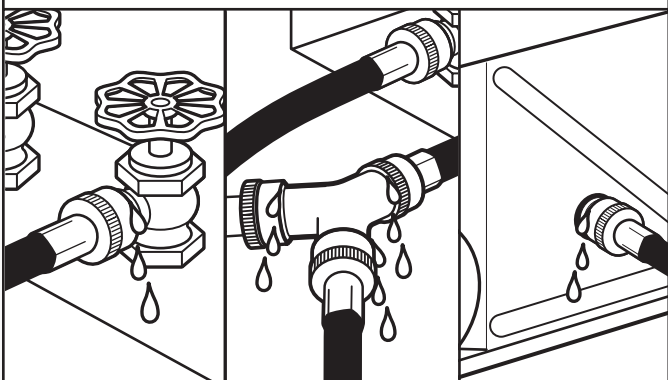
NOTE: Do not overtighten. Damage to the coupling can result.

6. Turn on cold water faucet



Check that the water faucets are turned on.

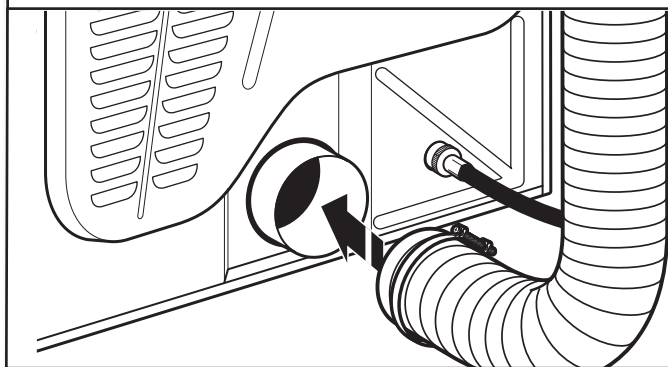
7. Check for leaks



Check for leaks around "Y" connector, faucet, and hoses.

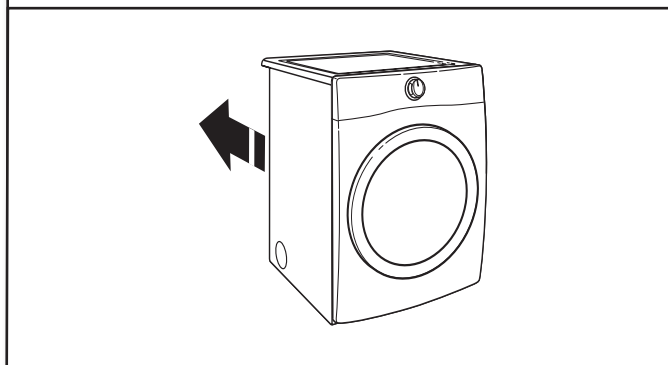
CONNECT VENT

1. Connect vent to exhaust outlet



Using a 4" (102 mm) clamp, connect vent to exhaust outlet in dryer. If connecting to existing vent, make sure vent is clean. Dryer vent must fit over dryer exhaust outlet and inside exhaust hood. Check that vent is secured to exhaust hood with a 4" (102 mm) clamp.

2. Move dryer to final location

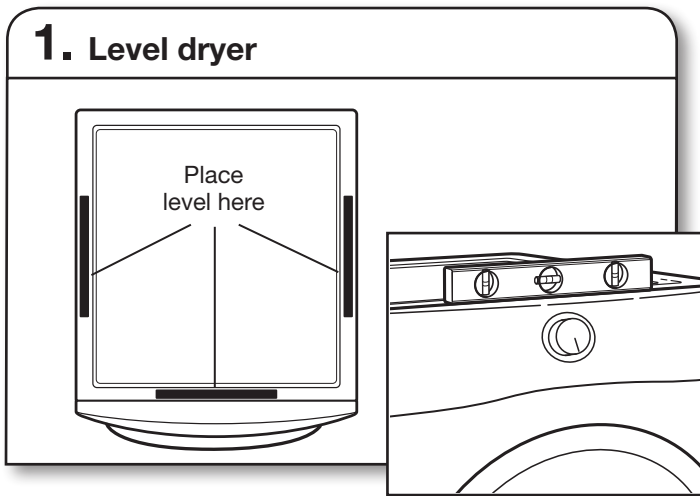


Move dryer to final location, taking care not to crush or kink vent or flexible gas line.

After dryer is in place, remove corner posts and cardboard from under dryer.

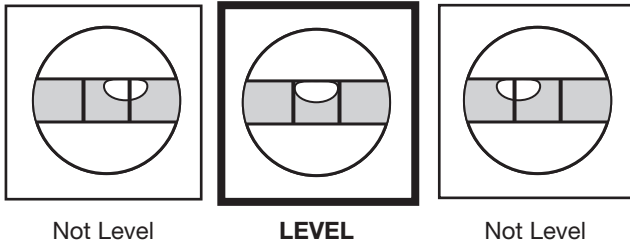
LEVEL DRYER

1. Level dryer



Check levelness of dryer from side to side. Repeat from front to back.

NOTE: The dryer must be level for the moisture sensing system to operate correctly.

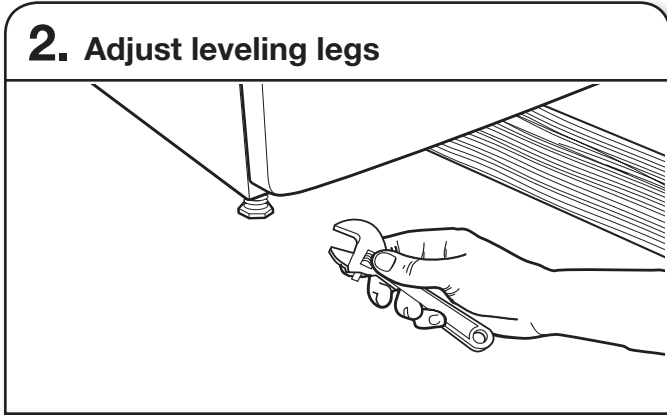


Not Level

LEVEL

Not Level

2. Adjust leveling legs



If dryer is not level, prop up using a wood block, use wrench to adjust legs up or down, and check again for levelness. Once dryer is level, make sure all four legs are snug against the floor and the dryer does not rock.

COMPLETE INSTALLATION CHECKLIST

- Check that all parts are now installed. If there is an extra part, go back through steps to see what was skipped.
- Check that you have all of your tools.
- Dispose of/recycle all packaging materials.
- Be sure the water faucets are on.
- Check for leaks around “Y” connector, faucet, and hoses.
- Check dryer’s final location. Be sure vent is not crushed or kinked.
- Check that dryer is level. See “Level Dryer.”
- Remove film on console and any tape remaining on dryer.
- Wipe dryer drum interior thoroughly with a damp cloth to remove any dust.
- Read “Dryer Use” in your Use and Care Guide.
- If you live in a hard water area, use of a water softener is recommended to control the buildup of scale through the water system in the dryer. Over time, the buildup of lime scale may clog different parts of the water system, which will reduce product performance. Excessive scale buildup may lead to the need for certain part replacement or repair.

Electric Models:

- Plug into a grounded outlet.

Gas Models:

- Plug into a grounded outlet.
- Check that gas supply is on.
- Check for leaks.
- Check to be sure that the flexible gas line is not crushed or kinked.

All Models:

- Select a Timed Dry heated cycle and start dryer. Do not select Air Only Temperature setting.

If dryer will not start, check the following:

- Controls are set in a running or On position.
- Start button has been pressed firmly.
- Dryer is plugged into an outlet and/or electrical supply is connected.
- Household fuse is intact and tight, or circuit breaker has not tripped.
- Dryer door is closed.

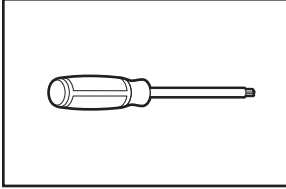
This dryer automatically runs an installation diagnostic routine at the start of its first cycle.

NOTE: You may notice an odor when dryer is first heated. This odor is common when heating element is first used. The odor will go away.

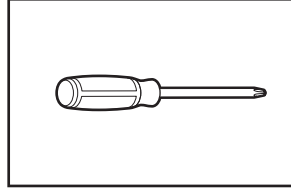
DOOR REVERSAL (OPTIONAL)

The following instructions are for models with round and square-shaped doors.

Tools needed:



Min. 8" (203 mm) long
TORX®, T20®, and T25®†
screwdrivers



#2 Phillips screwdriver

REVERSE DOOR SWING: ROUND-SHAPED DOOR

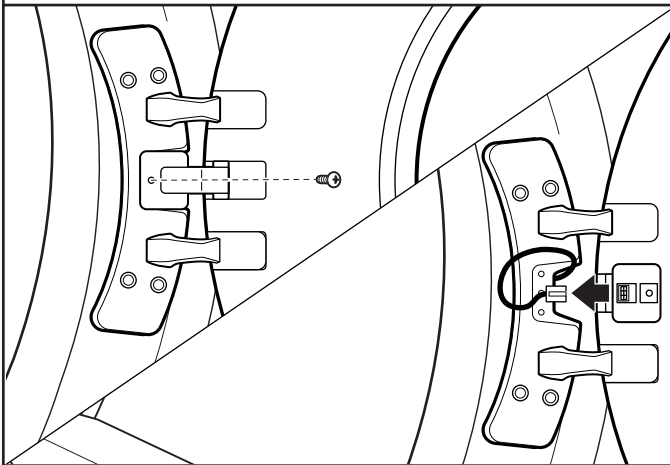
DOORS WITH ELECTRICAL WIRING:

! WARNING



Electrical Shock Hazard
Disconnect power before servicing.
Failure to do so can result in death or
electrical shock.

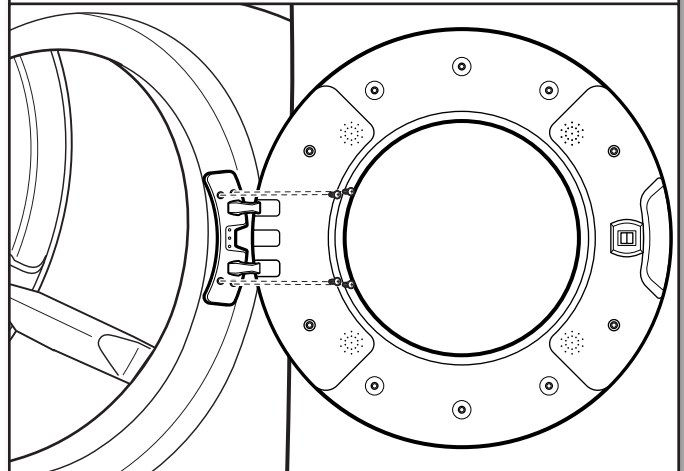
1. Disconnect wiring from door



Using a Phillips screwdriver, remove middle screw in hinge.
Disconnect wiring. Tuck wiring into opening.

ALL DOORS:

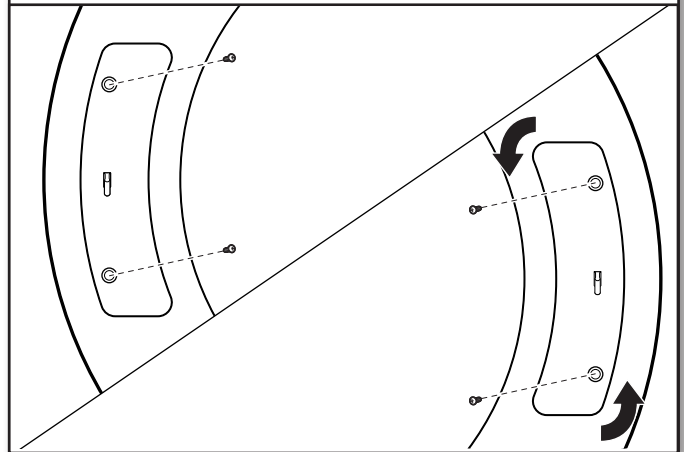
2. Remove door from dryer



IMPORTANT: If the protective film has not yet been removed from the dryer, peel the film from the dryer door before proceeding.

Using a T25® screwdriver, remove the four screws securing the door hinge to the dryer and lift the door up and out to remove. Place the door on a soft towel or other non-scratch surface.

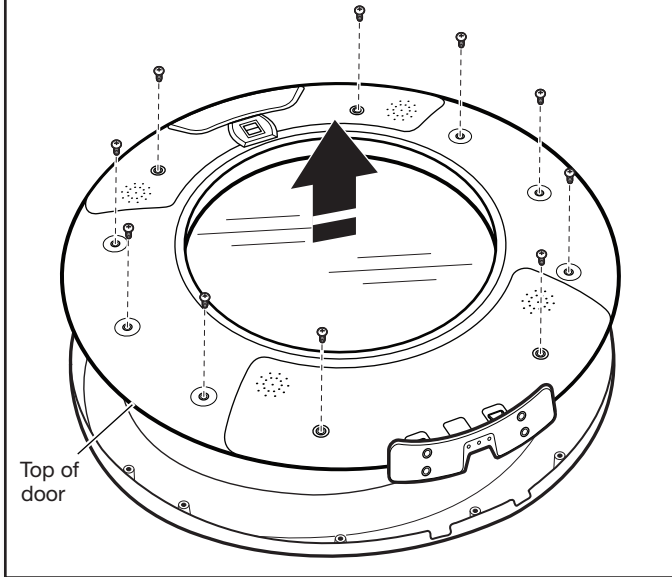
3. Move the door strike



Using a T25® screwdriver, remove the two screws securing the door strike to the door frame of the dryer. Rotate the strike 180° and attach to the opposite side of dryer door frame with the two screws removed earlier, as shown.

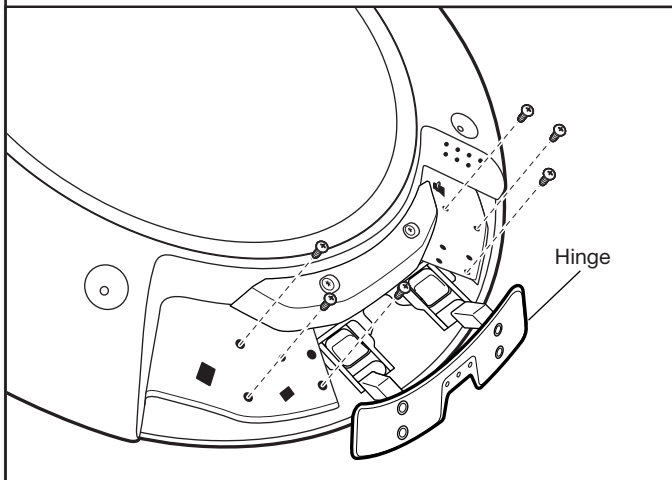
†TORX, T20, and T25 are registered trademarks of Acument Intellectual Properties, LLC.

4. Remove inner door from outer door



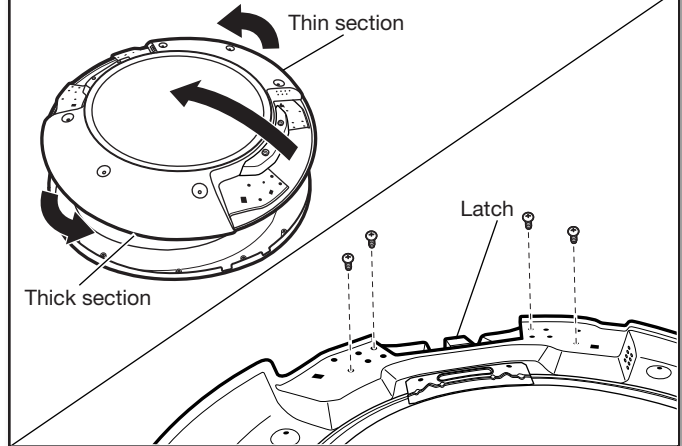
Position the door with the inside of the door facing up. Using a Phillips screwdriver, remove the 10 screws securing the inner door to the outer door.

5. Remove hinge



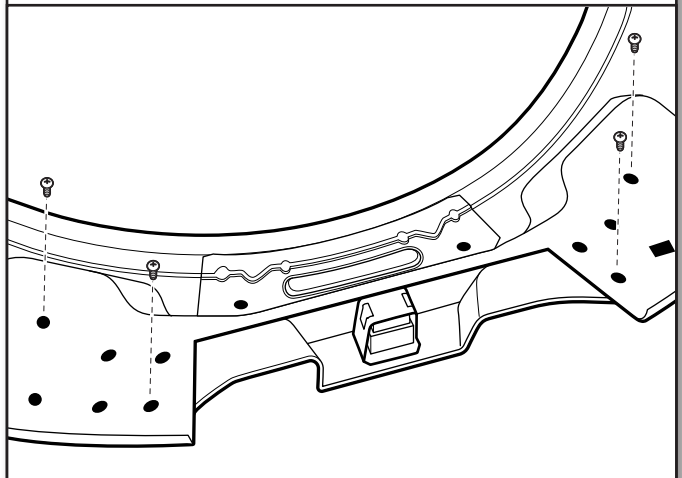
Using a T20® screwdriver, remove the six screws holding the hinge assembly in place.

6. Remove latch



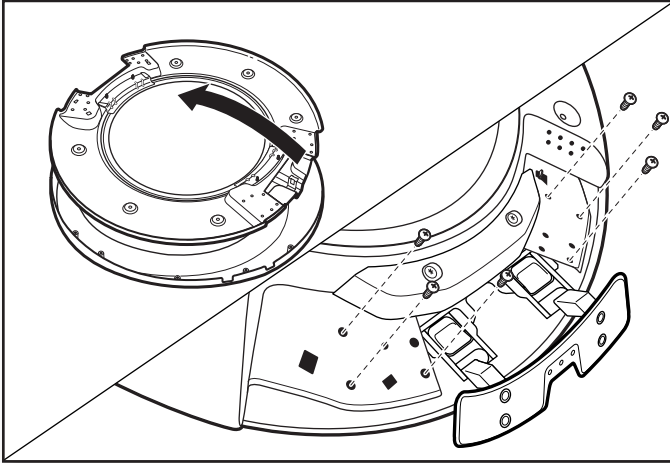
Flip and rotate the inner door 180° so that the thin section is at the top and the thick section is at the bottom. Using a T25® screwdriver, remove the four screws securing the latch plate in place.

7. Reinstall latch on opposite side



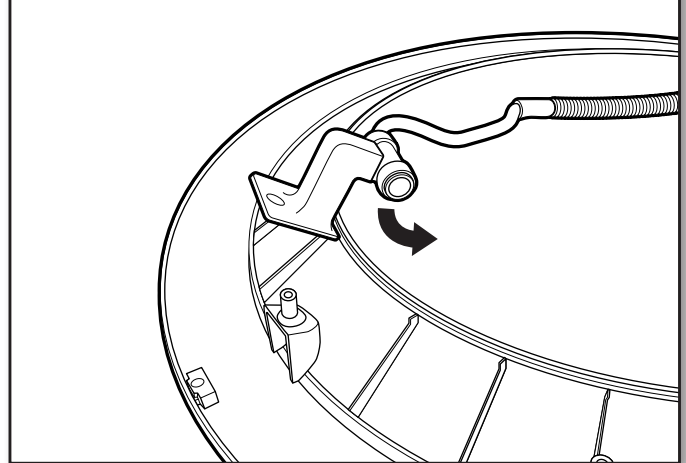
Using a T25® screwdriver, reinstall the latch plate on the opposite side from which it was removed with the four screws removed earlier.

8. Reinstall hinge assembly on opposite side



Flip over the inner door to the left. Using a T20® screwdriver, reinstall the hinge assembly on the opposite side from which it was removed.

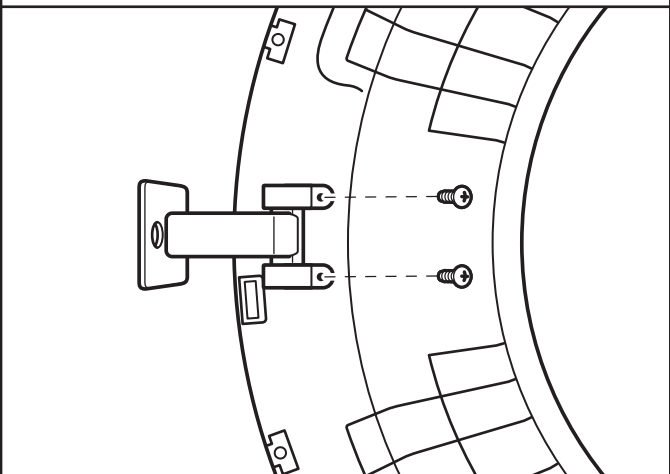
10. Reposition rotating assembly and tubing



Reposition rotating assembly and tubing 180° to opposite side of the door.

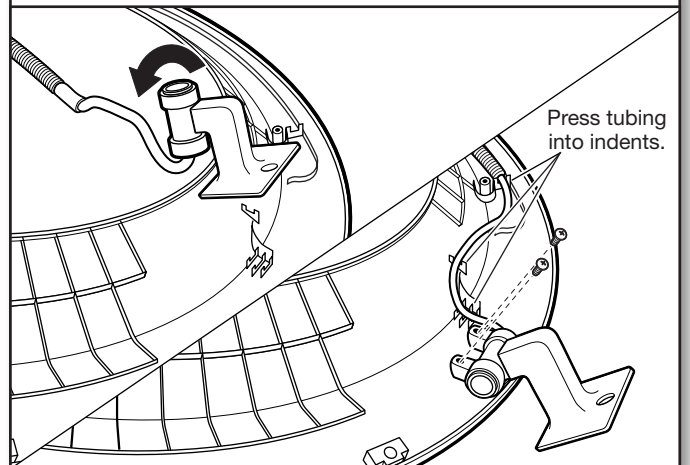
DOORS WITH ELECTRICAL WIRING:

9. Remove rotating assembly



Lift off inner door assembly. Using a Phillips screwdriver, remove the two screws securing the rotating assembly to the door.

11. Rotate assembly bottom and fasten in place

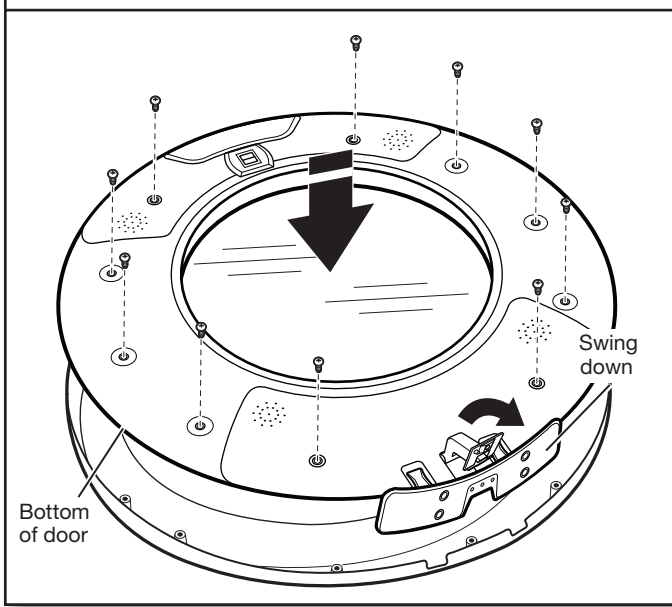


Rotate bottom of assembly 180° towards you and secure assembly with the two screws removed earlier, using a Phillips screwdriver. Press tubing into indents.

IMPORTANT: Make sure to swing hinge down in front of rotating assembly (see Step 12).

ALL DOORS:

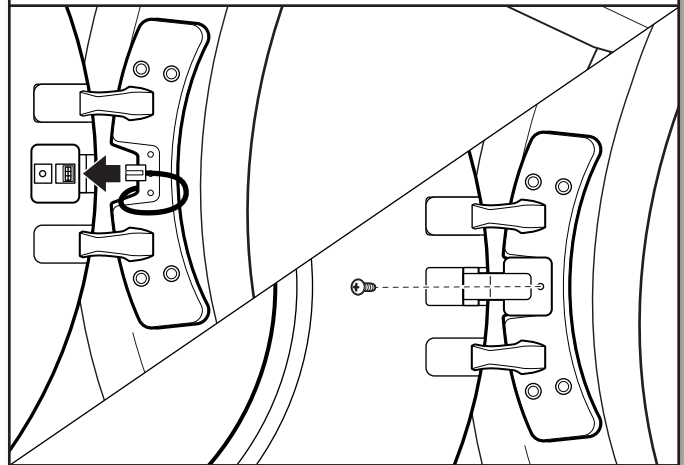
12. Reinstall inner door assembly



Position the door with the inside of the door facing up. Using a Phillips screwdriver, reinstall the 10 screws removed earlier, securing the inner door to the outer door.

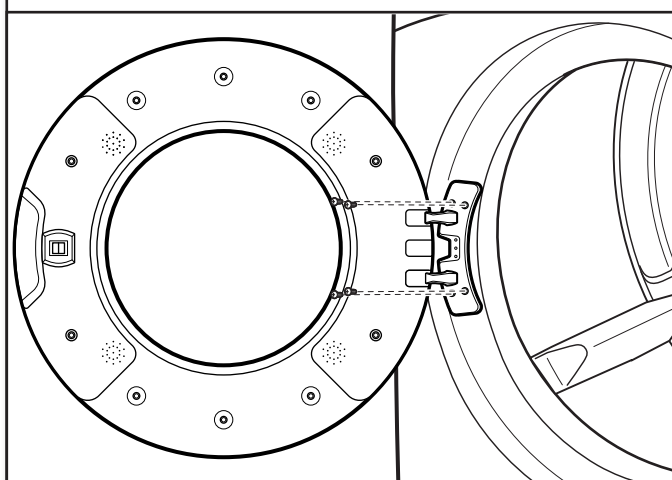
DOORS WITH ELECTRICAL WIRING:

14. Reconnect wiring



Plug in wire. Using a Phillips screwdriver, secure the rotating assembly to the hinge with the screw removed earlier.

13. Reinstall door on dryer

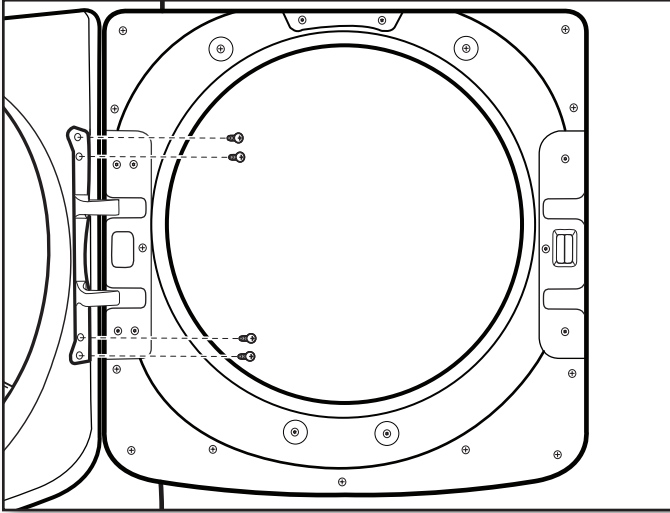


Doors with electrical wiring: Pull the wire through the front panel opening before reinstalling the door.

Insert the tabs on the hinge into the mounting slot and slide down to engage the top tab. Secure in place with the four T25® screws removed earlier.

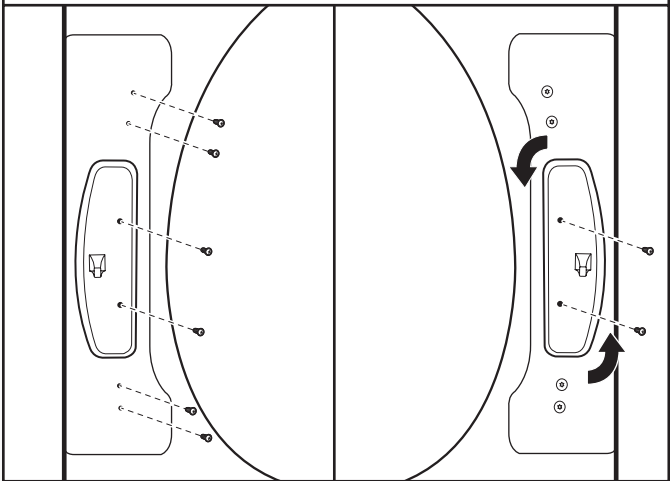
REVERSE DOOR SWING: SQUARE-SHAPED DOOR

1. Remove door from dryer



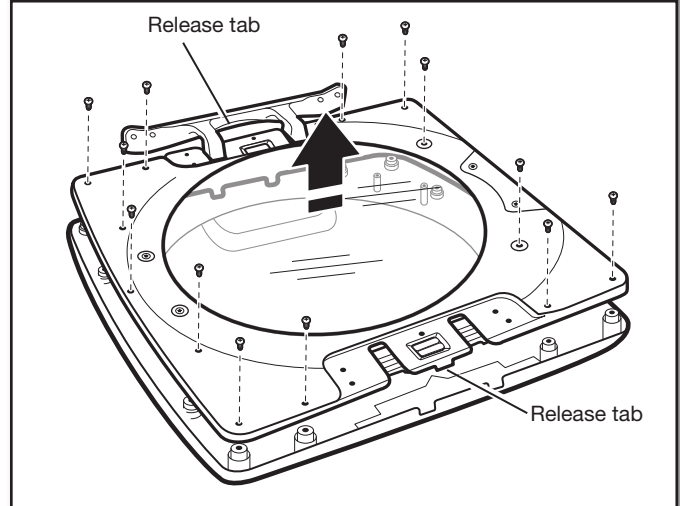
Using a T25® screwdriver, remove the four screws securing the door hinge to the dryer and lift up and out to remove the door. Place the door on a soft towel or other non-scratch surface. Retain or set aside the four screws.

2. Move the door strike



Using a T25® screwdriver, remove the two screws securing the door strike to the door frame of the dryer. Remove the four screws above and below the door strike and set aside for later use. Rotate the strike 180° and attach to the opposite side of dryer door frame, as shown.

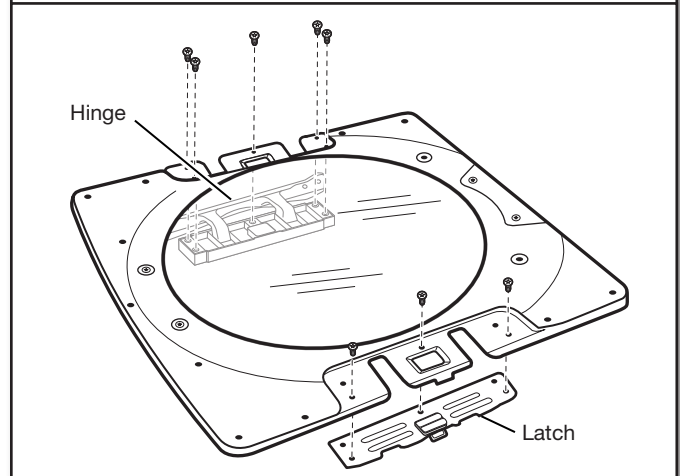
3. Remove inner door from outer door



Position the door with the inside of the door facing up. Using a Phillips screwdriver, remove the 13 screws securing the inner door to the outer door. Lift off the inner door and set aside.

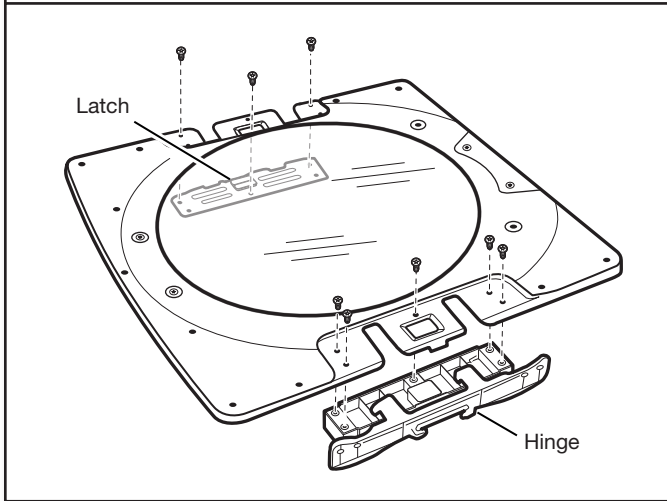
NOTE: There is a small release tab on each side of the door. If the inner and outer door do not separate easily, slide a credit card, putty knife, or similar flat object between the inner and outer doors at the locations shown to release the tab.

4. Remove hinge and latch from inner door



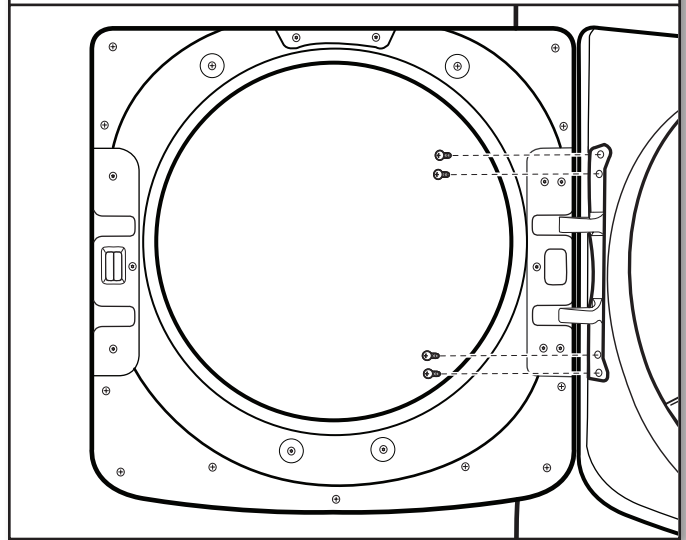
Using a T25® screwdriver, remove the three screws securing the latch plate and the five screws holding the hinge assembly in place.

5. Reinstall hinge and latch on opposite sides



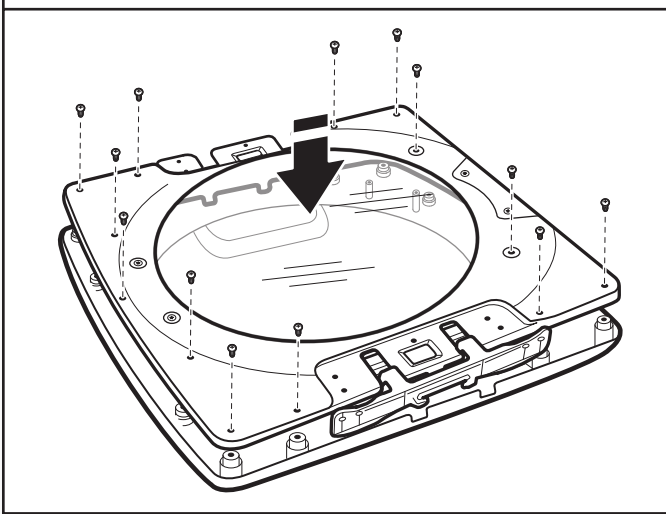
Using a T25® screwdriver, reinstall the latch plate and hinge assembly on the opposite sides from which they were removed.

7. Reattach door to dryer



Using a T25® screwdriver, reinstall the four screws securing the door hinge to the dryer.

6. Reattach inner door to outer door



Position the inner door on the outer door assembly. Using a Phillips screwdriver, secure with the 13 screws removed earlier.

SÉCURITÉ DE LA SÈCHEUSE

Votre sécurité et celle des autres est très importante.

Nous donnons de nombreux messages de sécurité importants dans ce manuel et sur votre appareil ménager. Assurez-vous de toujours lire tous les messages de sécurité et de vous y conformer.



Voici le symbole d'alerte de sécurité.

Ce symbole d'alerte de sécurité vous signale les dangers potentiels de décès et de blessures graves à vous et à d'autres.

Tous les messages de sécurité suivront le symbole d'alerte de sécurité et le mot "DANGER" ou "AVERTISSEMENT". Ces mots signifient :

⚠ DANGER

Risque possible de décès ou de blessure grave si vous ne suivez pas immédiatement les instructions.

⚠ AVERTISSEMENT

Risque possible de décès ou de blessure grave si vous ne suivez pas les instructions.

Tous les messages de sécurité vous diront quel est le danger potentiel et vous disent comment réduire le risque de blessure et ce qui peut se produire en cas de non-respect des instructions.



AVERTISSEMENT - "Risque d'incendie"

- L'installation de la sècheuse à linge doit être effectuée par un installateur qualifié.
- Installer la sècheuse conformément aux instructions du fabricant et aux codes locaux.
- Ne pas installer de sècheuse à linge avec des matériaux d'évacuation en plastique souple ou un conduit métallique souple (de type papier d'aluminium). Si un conduit métallique souple est installé, celui-ci doit être d'un type spécifique identifié par le fabricant de l'appareil et convenir à une utilisation avec les sècheuses à linge. Les matériaux d'évacuation souples sont connus pour s'affaisser, être facilement écrasés et bloquer la charpie. Ces situations obstrueront le débit d'air de la sècheuse à linge et augmenteront le risque d'incendie.
- Pour réduire le risque de blessure grave ou de décès, suivre toutes les instructions d'installation.
- Conserver ces instructions.

⚠ AVERTISSEMENT

Risque d'incendie

Le non-respect de cet avertissement peut causer des blessures graves, des dommages à la propriété ou le décès.

Ne pas installer de ventilateur d'appoint dans le conduit d'évacuation.

Installer toutes les sècheuses en respectant les instructions d'installation du fabricant de la sècheuse.

 **AVERTISSEMENT :**

RISQUE D'INCENDIE OU D'EXPLOSION

Le non-respect des avertissements de sécurité peut causer des dommages à la propriété, des blessures graves, voire la mort.

- Ne pas entreposer ou utiliser de l'essence ou d'autres vapeurs ou liquides inflammables à proximité de cet appareil ou de tout autre appareil électroménager.**
- QUE FAIRE DANS LE CAS D'UNE ODEUR DE GAZ :**
 - **Ne pas tenter d'allumer un appareil.**
 - **Ne pas toucher à un commutateur électrique; ne pas utiliser le téléphone se trouvant sur les lieux.**
 - **Évacuer tous les gens de la pièce, de l'édifice ou du quartier.**
 - **Appeler immédiatement le fournisseur de gaz d'un téléphone voisin. Suivre ses instructions.**
 - **À défaut de joindre votre fournisseur de gaz, appeler les pompiers.**
- L'installation et l'entretien doivent être effectués par un installateur qualifié, une agence de service ou le fournisseur de gaz.**

AVERTISSEMENT : L'odorat ne permet pas toujours la détection d'une fuite de gaz.

Les distributeurs de gaz recommandent l'emploi d'un détecteur de gaz (homologation UL ou CSA).

Pour d'autre information, contacter le fournisseur de gaz local.

En cas de détection d'une fuite de gaz, exécuter les instructions "Que faire dans le cas d'une odeur de gaz".

IMPORTANT : L'installation du gaz doit se conformer aux codes locaux, ou en l'absence de codes locaux, au code d'installation du gaz naturel ou du propane, CSA B149.1.

La sècheuse doit être électriquement reliée à la terre conformément aux codes locaux, ou en l'absence de codes locaux, au Code canadien de l'électricité, partie 1, CSA C22.1.

Dans l'État du Massachusetts, les instructions d'installation suivantes sont applicables :

- Les travaux d'installation et réparation doivent être exécutés par un plombier ou tuyauteur qualifié ou licencié, ou par le personnel qualifié d'une entreprise licenciée par l'État du Massachusetts.
- Remplacer par des dispositifs de fermeture acceptables : Les robinets de gaz et robinets à bille installés pour l'utilisation devraient être indiqués.
- Si un conduit de raccordement flexible est utilisé, sa longueur ne doit pas dépasser 4 pi (121,9 cm).

IMPORTANTES INSTRUCTIONS DE SÉCURITÉ

Avant de jeter ou de ranger votre vieille sècheuse, enlever la porte.

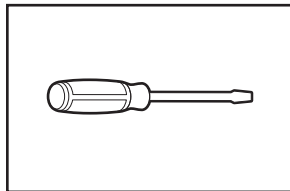
CONSERVEZ CES INSTRUCTIONS

EXIGENCES D'INSTALLATION

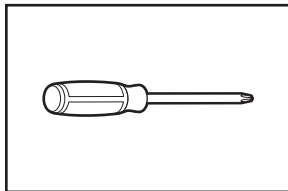
Outillage et pièces

Rassembler les outils et composants nécessaires avant d'entreprendre l'installation.

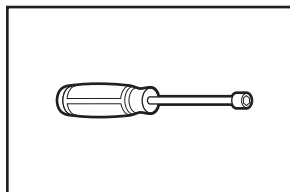
Outils nécessaires pour toutes les installations :



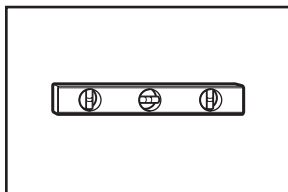
Tournevis à lame plate



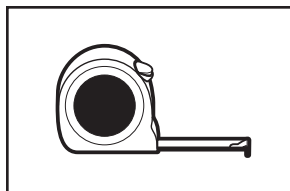
Tournevis Phillips n° 2



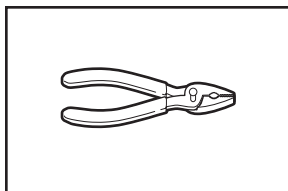
Tourne-écrou de 1/4" (6 mm) et 5/16" (8 mm) (recommandé)



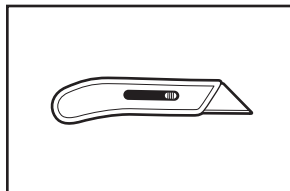
Niveau



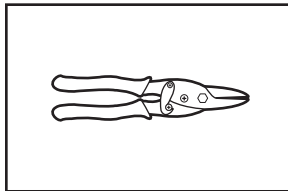
Mètre-ruban



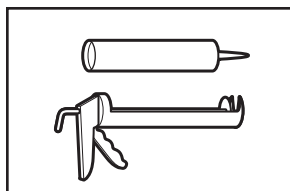
Pince



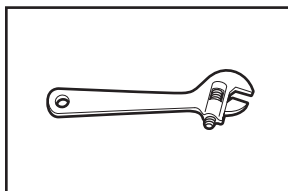
Couteau



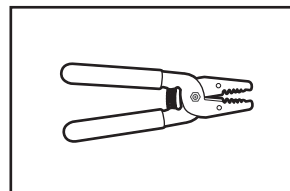
Cisaille de ferblantier (pour l'installation d'un nouveau conduit)



Pistolet à calfeutrage et composé de calfeutrage (pour l'installation d'un nouveau conduit d'évacuation)

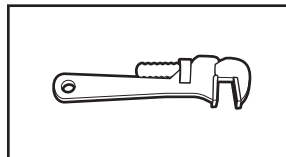


Clé à molette avec ouverture jusqu'à 1" (25 mm) ou clé à douille à tête hexagonale

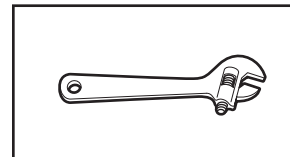


Pince à dénuder (pour les installations à raccordement direct)

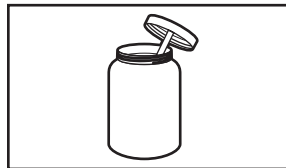
Outils nécessaires aux installations au gaz :



Clé à tuyau de 8" (203 mm) ou 10" (254 mm)

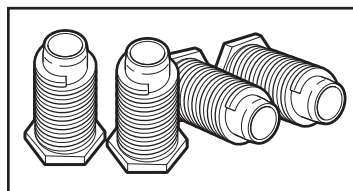


Clé à mollette de 8" (203 mm) ou 10" (254 mm) (pour le raccordement au gaz)



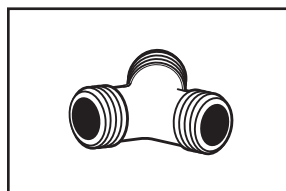
Composé d'étanchéité des raccords filetés – résistant au gaz propane

Pièces fournies (tous les modèles) :

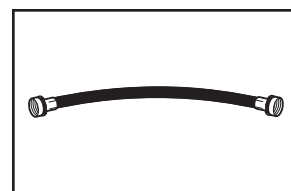


Pieds de nivellement (4)

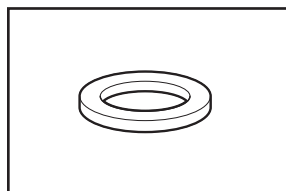
Pièces nécessaires (modèles vapeur) :



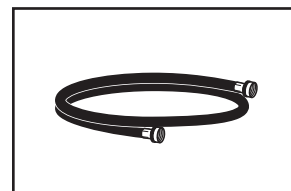
Connecteur en "Y"



Tuyau d'arrivée d'eau de 2' (0,6 m)



Rondelle en caoutchouc



Tuyau d'arrivée d'eau de 5' (1,52 m)

Le sachet de pièces se trouve dans le tambour de la sècheuse. Vérifier que toutes les pièces sont présentes.

REMARQUE : Ne pas utiliser les pieds de nivellement si la sècheuse doit être installée sur un piédestal ou un ensemble superposé.

Pièces nécessaires (non fournies avec la sècheuse) :

- Brides de conduit
- Coudes d'évacuation et conduits

Des pièces supplémentaires seront peut-être nécessaires, selon l'installation. Consulter les codes locaux. Vérifier l'alimentation électrique et le circuit d'évacuation existants. Lire "Spécifications électriques" et "Exigences concernant l'évacuation" avant d'acheter les pièces.

En cas d'utilisation d'un câble d'alimentation électrique :

Utiliser un ensemble de câble d'alimentation électrique homologué UL marqué compatible avec les sècheuses.

L'ensemble doit contenir :

- Un câble d'alimentation électrique homologué UL de 30 ampères, 120/240 volts minimum. Le cordon doit être de type SRD ou SRDT et mesurer au moins 4 pi (1,22 m) de long. Les fils raccordés à la sècheuse doivent se terminer par des cosses rondes ou à fourche à pointes relevées.
- Un serre-câble (homologation UL).


Équipement facultatif (non fourni avec la sècheuse) :

Se référer au Guide d'utilisation et d'entretien pour des renseignements sur les accessoires disponibles pour la sècheuse.

EXIGENCES D'EMPLACEMENT

Vérifier les spécifications des codes. Certains codes limitent ou interdisent l'installation des sècheuses dans un garage, un placard, une résidence mobile ou une chambre à coucher. Contacter l'inspecteur en bâtiments local.

⚠ AVERTISSEMENT



Risque d'explosion

Garder les matières et les vapeurs inflammables, telle que l'essence, loin de la sècheuse.

Placer la sècheuse au moins 460 mm (18 po) au-dessus du plancher pour une installation dans un garage.

Le non-respect de ces instructions peut causer un décès, une explosion ou un incendie.

Il faut disposer :

- Un emplacement permettant une évacuation appropriée. Voir "Exigences concernant l'évacuation".
- Un circuit distinct de 15 ou 20 A est requis pour les sècheuses à gaz et un circuit distinct de 30 A est requis pour les sècheuses électriques.
- Si on utilise un cordon d'alimentation, une prise électrique avec liaison à la terre située à moins de 2 pi (610 mm) de l'un des côtés de la sècheuse. Voir "Spécifications électriques".
- Le plancher doit supporter le poids de la sècheuse de 200 lb (90,7 kg). Il faut également prendre en compte le poids des appareils ménagers voisins.
- Des robinets d'eau froide situés à 4 pi (1,2 m) maximum des valves de remplissage, et une pression d'eau de 20 à 120 PSI (138 à 827 kPa). Il est possible d'utiliser l'entrée d'eau de votre laveuse en achetant les pièces nécessaires indiquées dans la section "Pièces nécessaires."

- Un plancher de niveau ayant une pente maximale de 1" (25 mm) sous l'ensemble de la sècheuse. Si la pente est supérieure à 1" (25 mm), installer un ensemble de pieds d'extension pour sècheuse, pièce n° 279810. Si la sècheuse n'est pas d'aplomb, le linge peut ne pas culbuter convenablement, et les programmes automatiques commandés par détecteur peuvent ne pas fonctionner correctement.

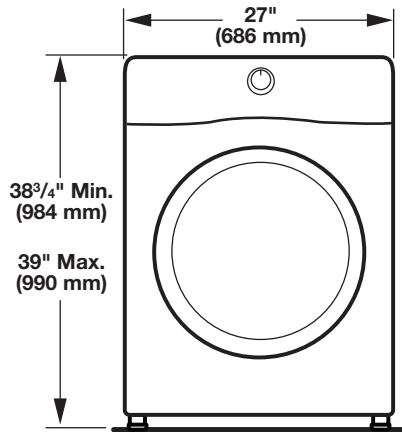
- Pour l'installation dans un garage, placer la sècheuse à au moins 18" (460 mm) au-dessus du sol. En cas d'utilisation d'un piédestal, il faudra 18" (460 mm) jusqu'au fond de la sècheuse.

- La sècheuse ne doit pas être installée ou remise dans un endroit où elle sera exposée à l'eau et/ou aux intempéries.

IMPORTANT : Ne pas faire fonctionner, installer ou remiser la sècheuse dans un endroit où elle sera exposée à l'eau, aux intempéries ou à des températures inférieures à 40 °F (4 °C). Des températures inférieures pourraient empêcher l'arrêt de la sècheuse à la fin des programmes automatiques commandés par détecteur, et causer des durées prolongées de séchage.

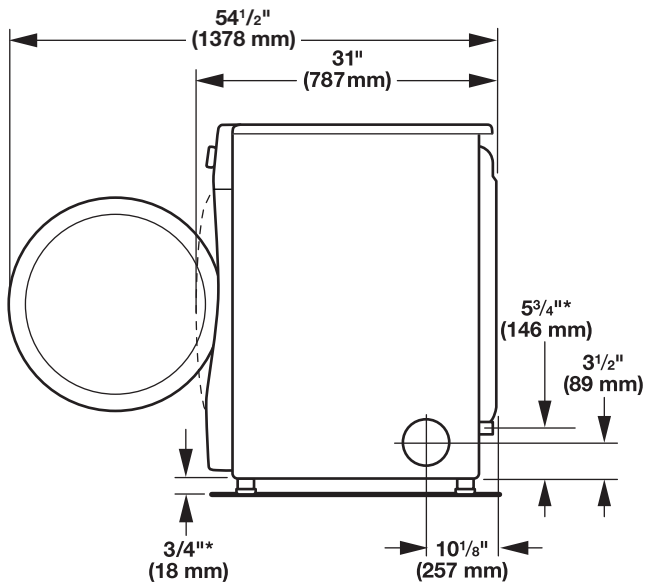
DIMENSIONS DE LA SÈCHEUSE

Vue de face :



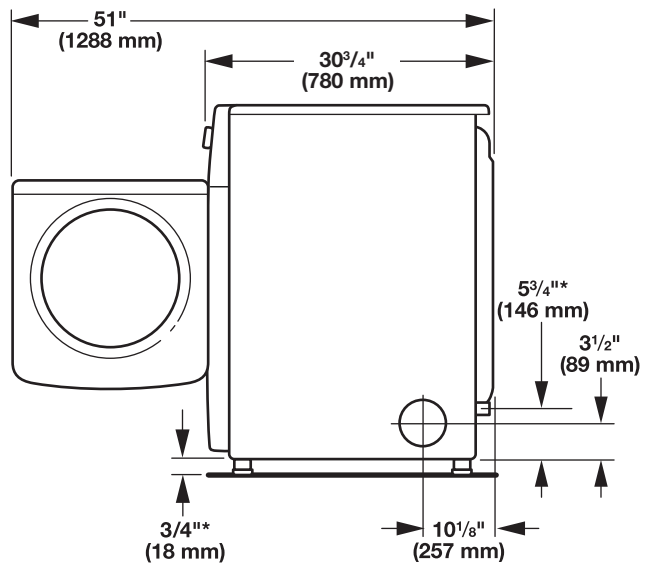
Vue latérale :

Modèles de Whirlpool



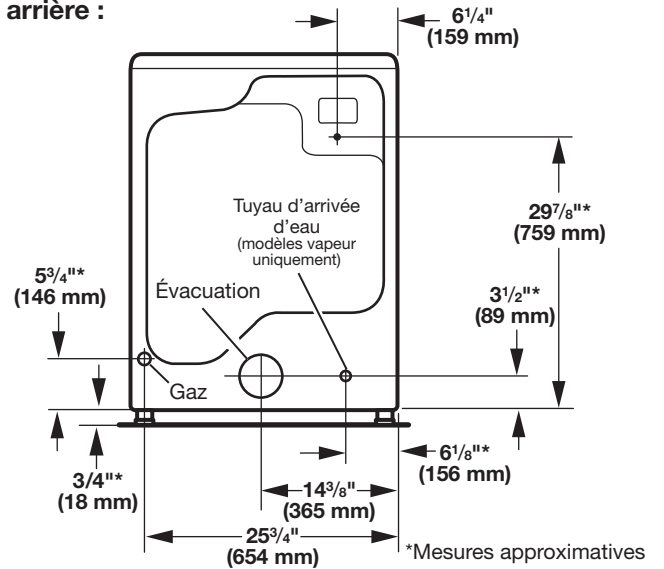
*Mesures approximatives

Modèles de Maytag



*Mesures approximatives

Vue arrière :



REMARQUE : La plupart des installations requièrent un espace minimum de 5" (127 mm) derrière la sécheuse pour le conduit d'évacuation avec coude. Voir "Exigences concernant l'évacuation."

Distances de dégagement à respecter

Pour chaque aménagement, prévoir davantage d'espace pour faciliter l'installation et l'entretien, des espacements pour les appareils voisins, les murs, les portes et les plinthes. L'espace doit être assez grand pour permettre l'ouverture complète de la porte. Ajouter un espacement sur tous les côtés de la sècheuse pour réduire le transfert du bruit. Si une porte de placard ou une porte à claire-voie est installée, des ouvertures de ventilation en haut et en bas sont nécessaires.

Vérifier les exigences des codes. Certains codes limitent ou n'autorisent pas l'installation des sècheuses dans un garage, un placard, une maison mobile ou une chambre à coucher. Communiquer avec l'inspecteur des bâtiments local.

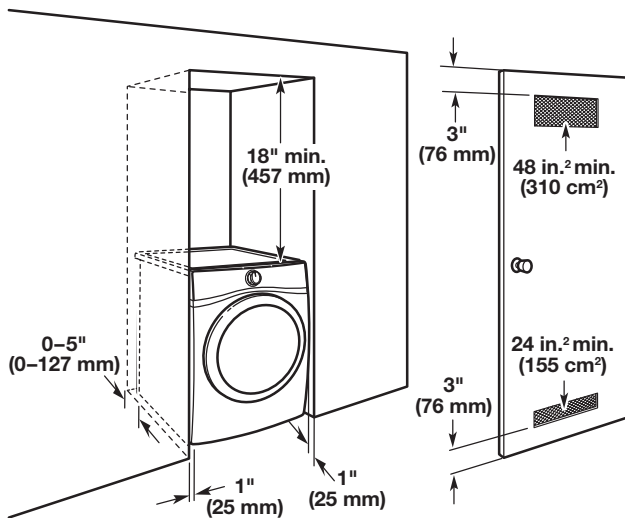
REMARQUE : Aucun autre appareil consommant un combustible ne doit être installé dans le même placard.

Espacement pour une installation dans un encastrement ou dans un placard

Les dimensions indiquées correspondent à l'espacement minimal permis.

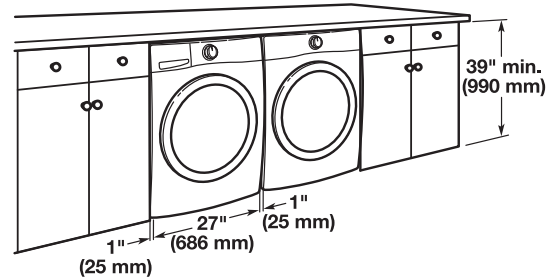
- Prévoir davantage d'espace pour faciliter l'installation et l'entretien.
- Un espace supplémentaire peut être requis pour les moulures de porte et de plancher et pour les plinthes, l'évacuation de la sècheuse et la canalisation de gaz.
- Un espace supplémentaire doit être envisagé de tous les côtés de la sècheuse afin de réduire le transfert de bruit.
- Pour installation dans un placard avec porte, on doit prévoir des ouvertures minimums d'entrée d'air en haut et en bas de la porte. Les portes à claire-voie offrant des ouvertures équivalentes de passage de l'air sont acceptables.
- Il faut aussi prendre en compte l'espace requis entre les appareils voisins.

Distances de dégagement recommandées pour l'installation (sècheuse seulement) :



0" (0 mm) d'espace arrière est permis pour la ventilation droite seulement. Pour les modèles vapeur uniquement, le tuyau d'arrivée d'eau ne doit pas être torsadé.

Installation sous comptoir personnalisée :



Installation dans une résidence mobile – exigences supplémentaires :

Cette sècheuse peut être installée dans une résidence mobile. L'installation doit être conforme aux critères de la version la plus récente de la norme suivante des É.-U. : Manufactured Home Construction and Safety Standard, Title 24 CFR, Part 3280 (anciennement Federal Standard for Mobile Home Construction and Safety, Title 24, HUD Part 280) ou de la Norme CAN/CSA-Z240MH.

Autres critères à respecter pour une installation en résidence mobile :

- Un système d'évacuation en métal qui peut être acheté auprès du marchand. Pour plus de renseignements, voir la section "Assistance ou service" dans le Guide d'utilisation et d'entretien.
- Il faut prendre des dispositions spéciales dans les maisons mobiles pour l'apport d'air de l'extérieur dans la sècheuse. Les ouvertures telles qu'une fenêtre à proximité devraient être au moins deux fois plus grande que l'ouverture de décharge de la sècheuse.

Pour l'installation de sècheuses à gaz dans une résidence mobile :

- On peut commander la trousse d'installation dans une résidence mobile – Pièce n° 346764. Pour plus de renseignements, consulter les numéros de service indiqués à la section "Assistance ou service" du Guide d'utilisation et d'entretien.

SÈCHEUSE ÉLECTRIQUE RACCORDEMENT À L'ALIMENTATION ÉLECTRIQUE – CANADA SEULEMENT

SPÉCIFICATIONS ÉLECTRIQUES

AVERTISSEMENT



Risque de choc électrique

Brancher sur une prise à 4 alvéoles reliée à la terre.

Le non-respect de cette instruction peut causer un décès ou un choc électrique.

C'est à l'utilisateur qu'incombe la responsabilité de :

- Contacter un électricien qualifié.
- S'assurer que le raccordement électrique est adéquat et conforme au Code canadien de l'électricité, C22.1 – dernière édition, et à tous les codes locaux en vigueur. Pour obtenir un exemplaire des normes des codes ci-dessus, contacter : Canadian Standards Association, 178 Rexdale Blvd., Toronto, ON M9W 1R3 CANADA.
- L'appareil doit être alimenté uniquement par un circuit monophasé de 120/240 V CA seulement, 60 Hz à 4 fils, sur un circuit séparé de 30 ampères, fusionné aux deux extrémités de la ligne. On recommande d'utiliser un fusible ou un disjoncteur temporisé. On recommande également que cet appareil soit alimenté par un circuit indépendant.
- Cette sècheuse est équipée d'un cordon d'alimentation homologué UL et/ou par la CSA International à introduire dans une prise murale standard 14-30R. Le cordon mesure 5 pi (1,52 m). Veiller à ce que la prise murale se trouve à proximité de l'emplacement définitif de la sècheuse.



Prise murale à 4 fils
(14-30R)

Lorsqu'on utilise un cordon d'alimentation de rechange, il est recommandé d'utiliser le cordon d'alimentation de rechange, pièce n° 8529008.

Pour plus de renseignements, consulter les numéros de service indiqués à la section "Assistance ou service" du Guide d'utilisation et d'entretien.

INSTRUCTIONS DE LIAISON À LA TERRE

- Pour une sècheuse reliée à la terre et connectée par un cordon :

Cette sècheuse doit être reliée à la terre. En cas de mauvais fonctionnement ou de panne, la liaison à la terre réduira le risque de choc électrique en offrant au courant électrique un acheminement d'évacuation de moindre résistance. Cette sècheuse est alimentée par un cordon électrique comportant un conducteur relié à la terre et une fiche de branchement munie d'une broche de liaison à la terre. La fiche doit être branchée sur une prise appropriée qui est bien installée et reliée à la terre conformément à tous les codes et règlements locaux.

AVERTISSEMENT : Le raccordement incorrect de cet appareil au conducteur de liaison à la terre peut susciter un risque de choc électrique. En cas de doute quant à la qualité de liaison à la terre de la sècheuse, consulter un électricien ou un technicien ou un personnel qualifié. Ne pas modifier la fiche de branchement fournie avec la sècheuse; si la fiche ne correspond pas à la configuration de la prise de courant, demander à un électricien qualifié d'installer une prise de courant appropriée.

CONSERVEZ CES INSTRUCTIONS

RACCORDEMENT D'UNE SÈCHEUSE À GAZ

SPÉCIFICATIONS ÉLECTRIQUES

AVERTISSEMENT



Risque de choc électrique

Brancher sur une prise à 3 alvéoles reliée à la terre.

Ne pas enlever la broche de liaison à la terre.

Ne pas utiliser un adaptateur.

Ne pas utiliser un câble de rallonge.

Le non-respect de ces instructions peut causer un décès, un incendie ou un choc électrique.

- L'appareil doit être alimenté par un circuit de 120 V, CA seulement, 60 Hz, 15 ou 20 ampères, protégé par fusible. On recommande l'emploi d'un fusible ou d'un disjoncteur temporisé. Il est recommandé de raccorder l'appareil sur un circuit distinct exclusif à cet appareil.

INSTRUCTIONS DE LIAISON À LA TERRE

- Pour une sécheuse reliée à la terre et connectée par un cordon :

Cette sécheuse doit être reliée à la terre. En cas de mauvais fonctionnement ou de panne, la liaison à la terre réduira le risque de choc électrique en offrant au courant électrique un acheminement d'évacuation de moindre résistance. Cette sécheuse est alimentée par un cordon électrique comportant un conducteur relié à la terre et une fiche de branchement munie d'une broche de liaison à la terre. La fiche doit être branchée sur une prise appropriée qui est bien installée et reliée à la terre conformément à tous les codes et règlements locaux.

AVERTISSEMENT : Le raccordement incorrect de cet appareil au conducteur de liaison à la terre peut susciter un risque de choc électrique. En cas de doute quant à la qualité de liaison à la terre de la sécheuse, consulter un électricien ou un technicien ou un personnel qualifié. Ne pas modifier la fiche de branchement fournie avec la sécheuse; si la fiche ne correspond pas à la configuration de la prise de courant, demander à un électricien qualifié d'installer une prise de courant appropriée.

CONSERVEZ CES INSTRUCTIONS

SPÉCIFICATIONS DE L'ALIMENTATION EN GAZ

AVERTISSEMENT



Risque d'explosion

Utiliser une canalisation neuve d'arrivée de gaz approuvée par CSA International.

Installer un robinet d'arrêt.

Bien serrer chaque organe de connexion de la canalisation de gaz.

En cas de connexion au gaz propane, demander à une personne qualifiée de s'assurer que la pression de gaz ne dépasse pas 330 mm (13 po) de la colonne d'eau.

Par personne qualifiée, on comprend :

**le personnel autorisé de chauffage,
le personnel autorisé d'une compagnie de gaz, et
le personnel d'entretien autorisé.**

Le non-respect de ces instructions peut causer un décès, un explosion ou un incendie.

TYPE DE GAZ

Gaz naturel :

Cette sécheuse est équipée pour une alimentation au gaz naturel. Elle est homologuée par UL pour l'alimentation au gaz propane, avec conversion appropriée.

- Cette sécheuse doit être équipée du brûleur convenable, correspondant au gaz spécifique qui alimente l'habitation. L'information sur le brûleur se trouve sur la plaque signalétique dans le logement de la porte de la sécheuse. Si ces renseignements ne correspondent pas au type de gaz disponible, contacter le marchand ou composer les numéros de téléphone indiqués dans la section "Assistance ou service" du Guide d'utilisation et d'entretien.

Conversion pour l'alimentation au propane :

IMPORTANT : Un technicien qualifié doit effectuer la conversion.

Ne pas entreprendre de convertir l'appareil pour l'utilisation d'un gaz différent de celui indiqué sur la plaque signalétique sans d'abord consulter la compagnie de gaz.

CANALISATION DE GAZ

Option 1 (méthode recommandée)

Raccord à gaz en acier inoxydable flexible :

- Si les codes locaux le permettent, utiliser un raccord neuf en acier inoxydable souple (conception homologuée par l'American Gas Association ou par CSA International) pour raccorder la sécheuse à la canalisation rigide d'alimentation en gaz. Selon le besoin, utiliser un coude et un adaptateur de 3/8" x tuyau NPT de 3/8" entre le raccord de gaz flexible et la canalisation de gaz de la sécheuse, pour éviter toute déformation.

Option 2 (méthode alternative)

Conduit d'aluminium ou de cuivre approuvé :

- La canalisation doit comprendre un connecteur obturé (filetage NPT de 1/8" ou plus) accessible pour le raccordement de l'instrument de mesure, immédiatement en amont de la connexion d'alimentation en gaz de la sécheuse. Voir l'illustration.
 - Un tuyau IPS de 1/2" est recommandé.
 - Pour les longueurs inférieures à 20 pi (6,1 m), on peut utiliser des tuyaux de cuivre ou d'aluminium de 3/8" si les codes locaux et le fournisseur de gaz le permettent.
 - Pour le gaz naturel, ne pas utiliser de conduits en cuivre.
 - Pour les longueurs supérieures à 20 pi (6,1 m), on peut utiliser des tuyaux plus gros et un adaptateur de grosseur différente.
 - Si la sécheuse a été convertie pour une utilisation de gaz propane, on peut utiliser un tuyau en cuivre compatible au propane de 3/8". Si la longueur totale de la canalisation d'arrivée de gaz est supérieure à 20 pi (6,1 m), utiliser une plus grosse conduite.
- REMARQUE :** On doit utiliser un composé d'étanchéité des tuyauteries résistant à l'action du gaz propane. Ne pas utiliser de ruban TEFLON.[†]
- La canalisation doit comprendre un robinet d'arrêt.

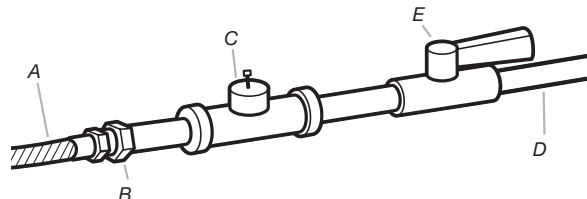
Aux États-Unis :

Un robinet d'arrêt individuel manuel doit être installé à six (6) pi (1,8 m) de la sécheuse, conformément au National Fuel Gas Code, ANSI Z223.1. L'emplacement doit être facile à atteindre pour ouvrir et fermer la sécheuse.

[†]TEFLON est une marque déposée de Chemours.

Au Canada :

Un robinet d'arrêt individuel manuel doit être installé conformément à la norme B149.1 du Code des installations au gaz naturel ou propane. On recommande qu'un robinet d'arrêt manuel individuel soit installé à moins de 6 pi (1,8 m) de la sècheuse. Choisir l'emplacement d'installation du robinet d'arrêt pour qu'il soit facilement accessible pour les manoeuvres d'ouverture et fermeture.



- A. Connecteur de gaz flexible de 3/8"
- B. Adaptateur de tuyau au joint conique de 3/8"
- C. Connecteur obturé (filetage NPT de 1/8" ou plus)
- D. Canalisation de gaz (NPT de 1/2")
- E. Robinet d'arrêt du gaz

EXIGENCES CONCERNANT LE RACCORDEMENT AU GAZ

- Utiliser un coude et un adaptateur NPT de 3/8" x 3/8" entre le connecteur de gaz flexible et la conduite de gaz de la sècheuse, tel que nécessaire pour éviter le pincement.
- Utiliser uniquement un composé d'étanchéité des tuyauteries. Ne pas utiliser de ruban TEFLON.®
- On doit raccorder la sècheuse à la canalisation de gaz à l'aide d'un connecteur de gaz flexible homologué qui respecte les normes applicables aux connecteurs utilisés avec des appareils ménagers à gaz, ANSI Z21.24 ou CSA 6.10.

CARACTÉRISTIQUES D'ALIMENTATION DU BRÛLEUR

Altitudes supérieures à 2 000 pieds (610 m) :

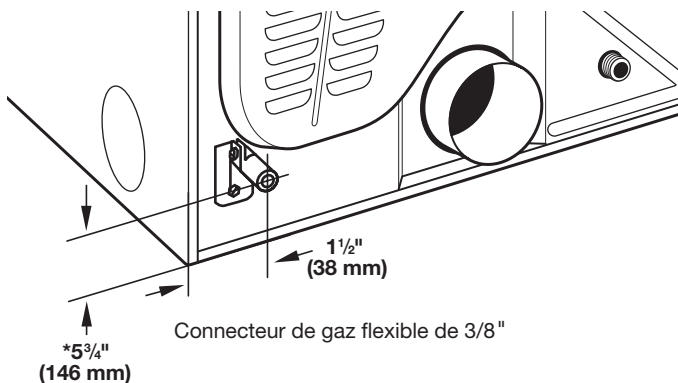
- Si la sècheuse doit être utilisée à une altitude supérieure à 2 000 pieds (610 m), on doit réduire de 4 % le débit thermique du brûleur indiqué sur la plaque signalétique pour chaque tranche de 1 000 pieds (305 m) d'augmentation de l'altitude.

Épreuve sous pression de l'alimentation en gaz

- La sècheuse doit être déconnectée du système de canalisations d'alimentation en gaz lors de tout test de pression à des pressions plus élevées que 1/2 lb/po².

CANALISATION D'ARRIVÉE DE GAZ DE LA SÈCHEUSE

- La canalisation d'arrivée de gaz sortant à l'arrière de la sècheuse est dotée d'un filetage mâle de 3/8."



*REMARQUE : Si la sècheuse est montée sur un piédestal, prévoir 10" (254 mm) ou 15,5" (394 mm) de plus à partir du sol pour la hauteur de la canalisation d'arrivée de gaz, en fonction du modèle de piédestal. Pour une installation dans un garage, prévoir 18" (460 mm) de plus à partir du sol pour la hauteur de la canalisation d'arrivée de gaz.

INSTALLATION DES PIEDS DE NIVELLEMENT

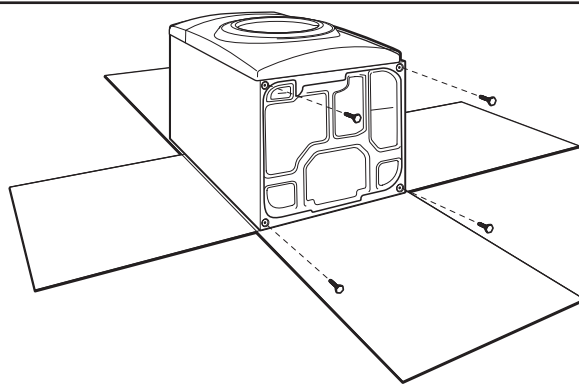
⚠ AVERTISSEMENT

Risque du poids excessif

Utiliser deux ou plus de personnes pour déplacer et installer la sècheuse.

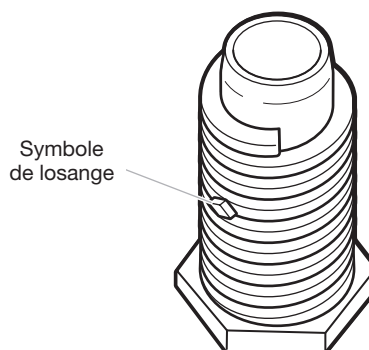
Le non-respect de cette instruction peut causer une blessure au dos ou d'autre blessure.

1. Préparer la sècheuse pour les pieds de nivellement



Pour ne pas endommager le plancher, utiliser une grande pièce de carton de l'emballage de la sècheuse; la placer sous tout le bord arrière de la sècheuse. Saisir fermement la sècheuse par la caisse (non par le panneau de commande) et incliner soigneusement la sècheuse sur le carton.

2. Visser dans les pieds de nivellement



Symbole de losange

Examiner les pieds de nivellement, trouver le symbole de losange. Introduire manuellement les vis des pieds dans les trous – utiliser une clé à molette pour visser les pieds jusqu'à ce que le symbole de losange ne soit plus visible.

Placer une cornière de carton prise à partir de l'emballage de la sècheuse sous chacun des deux coins arrière de la sècheuse. Redresser la sècheuse. Faire glisser la sècheuse sur les cornières jusqu'à ce qu'elle soit proche de son emplacement final. Laisser suffisamment d'espace pour connecter le conduit d'évacuation.

RACCORDEMENT AU GAZ

(modèles de sècheuses à gaz uniquement)

⚠ AVERTISSEMENT



Risque d'explosion

Utiliser une canalisation neuve d'arrivée de gaz approuvée par CSA International.

Installer un robinet d'arrêt.

Bien serrer chaque organe de connexion de la canalisation de gaz.

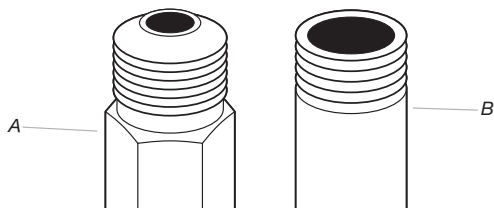
En cas de connexion au gaz propane, demander à une personne qualifiée de s'assurer que la pression de gaz ne dépasse pas 330 mm (13 po) de la colonne d'eau.

Par personne qualifiée, on comprend :

le personnel autorisé de chauffage,
le personnel autorisé d'une compagnie de gaz, et
le personnel d'entretien autorisé.

Le non-respect de ces instructions peut causer un décès, un explosion ou un incendie.

1. Connecter l'alimentation en gaz à la sècheuse

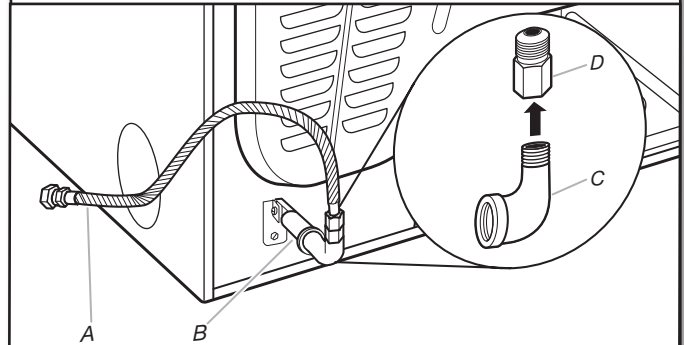


A. Raccord mâle conique
B. Raccord mâle non conique

Retirer le capuchon rouge de la canalisation d'arrivée de gaz. À l'aide d'une clé pour serrer, raccorder l'alimentation en gaz à la sècheuse. Utiliser un composé d'étanchéité des tuyauteries sur tous les filetages des raccords mâles non coniques. Si on utilise un conduit métallique souple, veiller à ce qu'il ne soit pas pincé.

REMARQUE : Pour les raccordements au gaz propane, il faut utiliser un composé d'étanchéité des tuyauteries résistant à l'action du gaz propane. Ne pas utiliser de ruban TEFLON.®

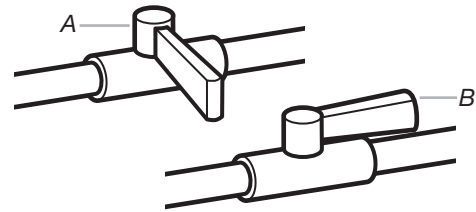
2. Planifier le raccordement du raccord (option 1)



A. Raccord de gaz flexible de 3/8"
B. Conduit de la sècheuse de 3/8"
C. Coude de canalisation de 3/8" x 3/8"
D. Adaptateur de tuyau au joint conique de 3/8"

On doit utiliser une combinaison de raccords de canalisation pour raccorder la sècheuse à l'alimentation en gaz existante. Un raccordement est illustré. Le raccordement peut varier, selon le type d'alimentation, la dimension et l'emplacement.

3. Ouvrir le robinet d'arrêt



A. Robinet fermé
B. Robinet ouvert

Ouvrir le robinet d'arrêt du conduit d'alimentation; le robinet est ouvert lorsque la poignée est parallèle au conduit. Puis vérifier tous les raccordements en les badigeonnant d'une solution de détection des fuites non corrosive approuvée. L'apparition de bulles indique la présence d'une fuite. Réparer toute fuite éventuelle.

ÉVACUATION

Exigences concernant l'évacuation

⚠ AVERTISSEMENT



Risque d'incendie

Utiliser un conduit d'évacuation en métal lourd.

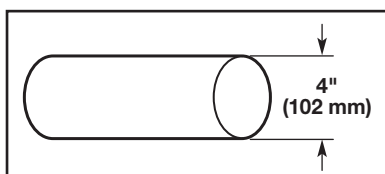
Ne pas utiliser un conduit d'évacuation en plastique.

Ne pas utiliser un conduit d'évacuation en feuille de métal.

Le non-respect de ces instructions peut causer un décès ou un incendie.

AVERTISSEMENT : Pour réduire le risque d'incendie, cette sècheuse doit ÉVACUER L'AIR À L'EXTÉRIEUR.

IMPORTANT : Respecter les dispositions de tous les codes et règlements en vigueur. Le conduit d'évacuation de la sècheuse ne doit pas être connecté à une évacuation de gaz, une cheminée, un mur, un plafond, un grenier, un vide sanitaire ou un vide de construction. Seul un conduit en métal flexible ou rigide doit être utilisé pour l'évacuation.



Conduit d'évacuation en métal lourd de 4" (102 mm)

- Utiliser uniquement un conduit d'évacuation en métal lourd de 4" (102 mm) et des brides de serrage.
- Ne pas utiliser de conduit de plastique ou de métal très mince.

Conduit métallique rigide

- Recommandé pour une meilleure performance de séchage et pour réduire les risques d'écrasement et de déformation.

Conduit métallique flexible (Acceptable uniquement si accessible pour le nettoyage)

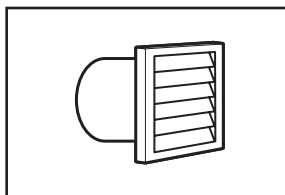
- Doit être complètement déployé et supporté dans l'emplacement final de la sècheuse.
- Enlever tout excès de conduit pour éviter tout affaissement et déformation susceptible de réduire la capacité d'évacuation et le rendement.
- Ne pas installer le conduit dans les cavités fermées des murs, plafonds ou planchers.
- La longueur totale ne doit pas excéder 7¼ pi (2,4 m).
- La longueur du conduit métallique d'évacuation souple utilisé doit être prise en compte lors de la conception de l'ensemble du circuit d'évacuation, tel qu'indiqué dans les "Tableaux des systèmes d'évacuation."

REMARQUE : Lors de l'utilisation d'un système de décharge existant, nettoyer et éliminer la charpie sur toute la longueur du système et veiller à ce que le clapet d'évacuation ne soit pas obstrué par une accumulation de charpie. Remplacer tout conduit de plastique ou de feuille métallique par un conduit métallique rigide ou flexible. Examiner les "Tableaux des systèmes d'évacuation" et, au besoin, apporter les modifications nécessaires au système d'évacuation pour atteindre le meilleur rendement de séchage.

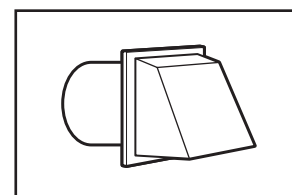
Clapets de décharge :

- Terminer le conduit d'évacuation par un clapet d'évacuation pour empêcher les rongeurs et insectes d'entrer dans l'habitation.
- Doit se situer à au moins 12" (305 mm) au-dessus du sol ou de tout objet susceptible d'obstruer l'évacuation (par exemple fleurs, roches, arbustes ou neige).
- Ne pas utiliser un clapet d'évacuation à fermeture magnétique.

Styles recommandés :

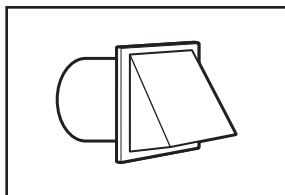


Clapet à persiennes



Clapet de type boîte

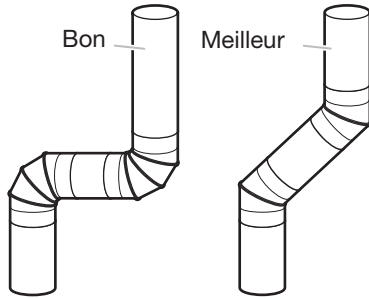
Style acceptable :



Clapet incliné

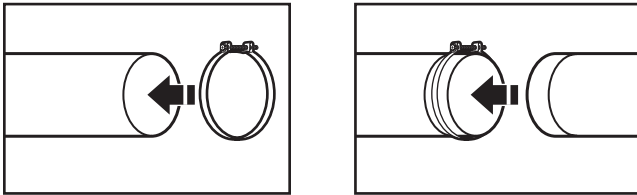
Coudes :

- Les coudes à 45° permettent une meilleure circulation de l'air que les coudes à 90°.



Brides de serrage :

- Utiliser des brides de serrages pour sceller tous les joints.
- Le conduit d'évacuation ne doit pas être connecté ou fixé avec des vis ou avec tout autre dispositif de serrage qui se prolonge à l'intérieur du conduit et où la charpie risque de s'accrocher. Ne pas utiliser de ruban adhésif pour conduit.

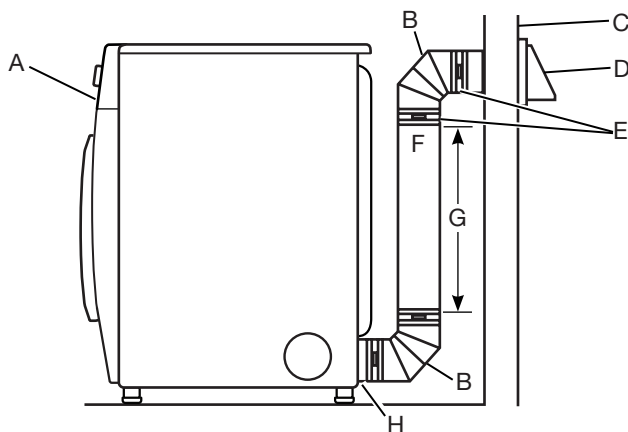


Une mauvaise évacuation de l'air peut causer de l'humidité et une accumulation de charpie à l'intérieur de la maison, ce qui peut provoquer :

- Dommages par l'humidité aux boiseries, meubles, peinture, papier-peint, tapis, etc.
- Problèmes de nettoyage dans la maison et problèmes de santé.

Planification du système d'évacuation

Installations d'évacuation recommandées :



- | | |
|------------------------|--|
| A. Sécheuse | F. Conduit d'évacuation métallique rigide ou souple |
| B. Raccord coudé | G. Longueur de conduit d'évacuation nécessaire pour le raccordement des coudes |
| C. Mur | H. Bouche de décharge |
| D. Clapet d'évacuation | |
| E. Brides | |

⚠ AVERTISSEMENT



Risque d'incendie

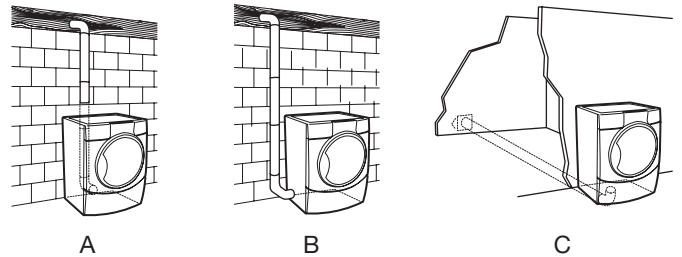
Recouvrir tous les orifices d'évacuation non utilisés avec une trousse du fabricant.

Contactez votre marchand local.

Le non-respect de ces instructions peut causer un décès, un incendie, un choc électrique ou une blessure grave.

Installations d'évacuation facultatives :

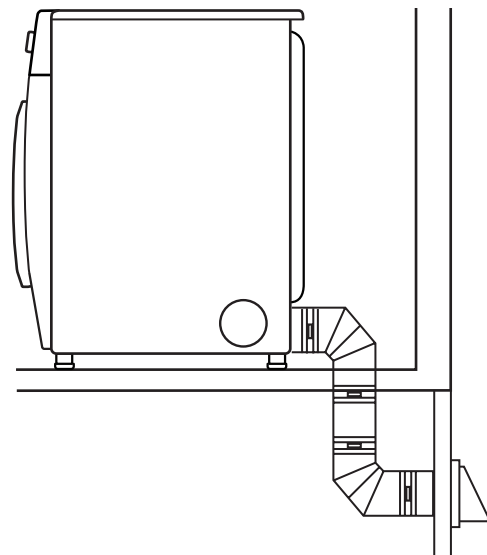
Cette sècheuse peut être convertie pour évacuer par le côté droit, le côté gauche (tous les modèles sauf les systèmes d'évacuation de grande longueur) ou par le bas. Contacter le détaillant local pour convertir la sècheuse, le cas échéant.



- A. Installation avec acheminement standard du conduit d'évacuation par l'arrière
- B. Installation du conduit d'évacuation par la gauche ou par la droite
- C. Installation avec évacuation par le bas

Dispositions spéciales pour les résidences mobiles :

Le système d'évacuation doit être solidement fixé à une section non combustible de la structure de la résidence mobile et ne doit pas se terminer en dessous de celle-ci. Acheminer le conduit d'évacuation vers l'extérieur.



Déterminer l'itinéraire d'acheminement du conduit :

- Choisir l'itinéraire d'acheminement vers l'extérieur qui sera le plus direct et le plus rectiligne.
- Planifier l'installation pour introduire le nombre minimal de coudes et de changements de direction.
- Si des coudes ou changements de direction sont utilisés, prévoir autant d'espace que possible.
- Plier le conduit graduellement pour éviter de le déformer.
- Utiliser le moins de changements de direction à 90° possible.

Déterminer la longueur du conduit et les coudes nécessaires :

- Utiliser les "Tableaux des systèmes d'évacuation" ci-dessous pour déterminer le type de composants et les combinaisons acceptables.

REMARQUE : Ne pas utiliser un conduit de longueur supérieure à la valeur spécifiée dans les "Tableaux des systèmes d'évacuation".

Si la longueur du circuit est supérieure à la valeur spécifiée dans le tableau, on observera :

- Une réduction de la longévité de la sècheuse.
- Une réduction du rendement, avec temps de séchage plus longs et une plus grande consommation d'énergie.

Les "Tableaux des systèmes d'évacuation" fournissent les exigences d'évacuation qui aident à atteindre la meilleure performance de séchage.

Tableau des systèmes d'évacuation standards

Nombre de coudes à 90°	Type de conduit d'évacuation	Clapets inclinés
0	Métallique rigide	64 pi (20 m)
1	Métallique rigide	54 pi (16,5 m)
2	Métallique rigide	44 pi (13,4 m)
3	Métallique rigide	35 pi (10,7 m)
4	Métallique rigide	27 pi (8,2 m)

Tableau des systèmes d'évacuation longs

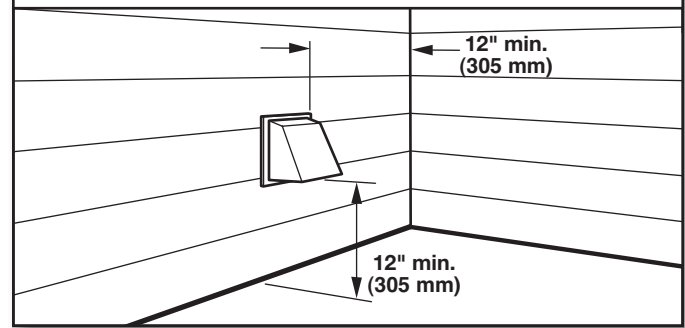
Nombre de coudes à 90°	Type de conduit d'évacuation	Clapets inclinés
0	Métallique rigide	160 pi (48,8 m)
1	Métallique rigide	150 pi (45,7 m)
2	Métallique rigide	140 pi (42,7 m)
3	Métallique rigide	130 pi (39,6 m)
4	Métallique rigide	120 pi (36,6 m)

Pour déterminer si le modèle comporte un système d'évacuation de grande longueur, se reporter au type de code figurant sur la plaque signalétique située dans le renforcement de la porte.
Exemple : Le type de code pour un modèle électrique est DALV – ELE – XXXXXXX-XXX. Le type de code pour un modèle à gaz est DALV – NAT – XXXXXXX-XXX.

REMARQUE : Pour des systèmes d'évacuation de grande longueur, utiliser des clapets d'évacuation à persiennes ou de type boîte – l'évacuation sera meilleure, quelle que soit la longueur du circuit.

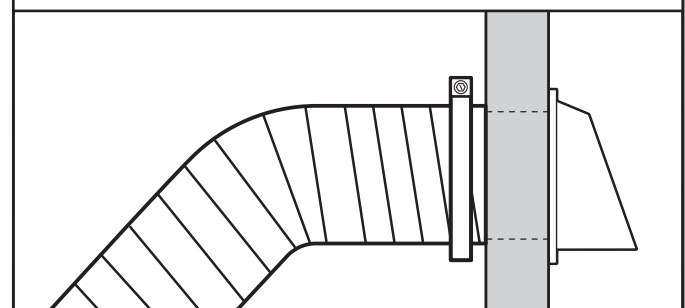
Installation du système d'évacuation

1. Installer le clapet d'évacuation



Installer le clapet d'évacuation et utiliser un composé de calfeutrage pour calfeutrer le côté extérieur de l'ouverture murale autour du clapet d'évacuation.

2. Raccorder le conduit d'évacuation au clapet



Le conduit doit être placé par-dessus le clapet d'évacuation. Fixer ensemble le conduit et le clapet avec une bride de 4" (102 mm). Acheminer le conduit jusqu'à l'emplacement de la sècheuse en utilisant le chemin le plus rectiligne possible. Éviter les changements de direction à 90°. Utiliser des brides pour sceller tous les joints. Ne pas utiliser de ruban adhésif pour conduit, de vis ou autres dispositifs de fixation qui se prolongeraient à l'intérieur du conduit pour fixer le conduit d'évacuation; ceux-ci pourraient retenir la charpie.

RACCORDEMENT DU TUYAU D'ALIMENTATION (MODÈLE À VAPEUR UNIQUEMENT)

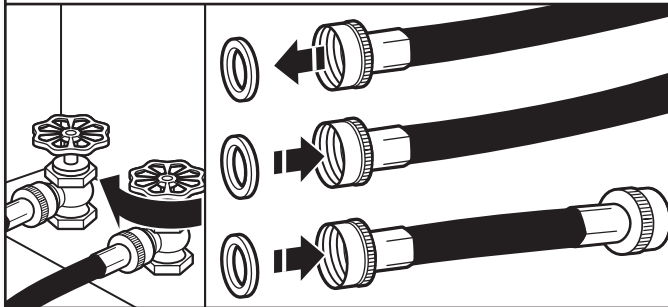
Pour les modèles sans vapeur, passer directement à la section "Raccordement du conduit d'évacuation."

La sècheuse doit être connectée au robinet d'eau froide à l'aide des nouveaux tuyaux d'alimentation (non fournis). Ne pas utiliser de tuyaux usagés.

REMARQUE : Remplacer les tuyaux d'arrivée d'eau après 5 ans d'utilisation pour réduire le risque de défaillance intempestive. Prendre note de la date d'installation ou de remplacement des tuyaux d'arrivée d'eau, pour référence ultérieure.

Inspecter périodiquement les tuyaux et les remplacer en cas de renflement, de déformation, de coupure, d'usure ou si une fuite se manifeste.

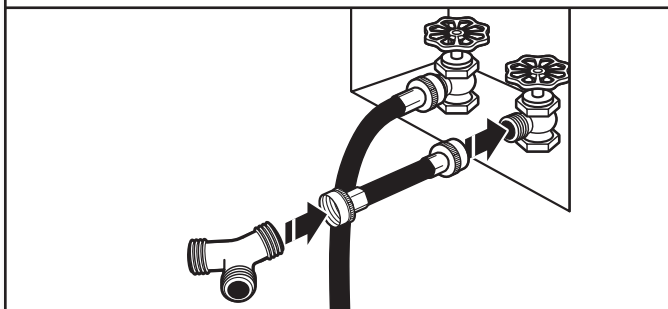
1. Fermer l'eau froide; retirer et remplacer le joint de caoutchouc



Arrêter le robinet d'eau froide et retirer le tuyau d'alimentation de la laveuse.

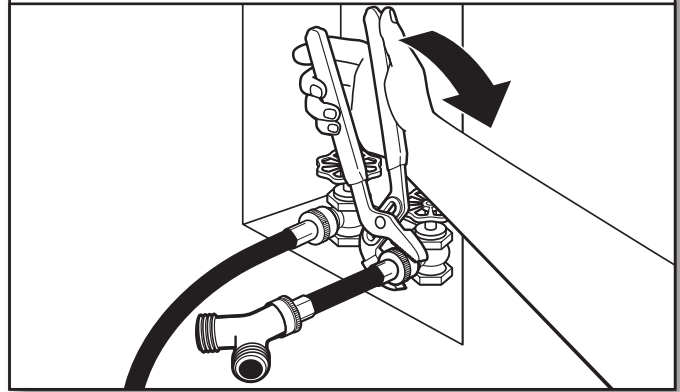
Retirer l'ancien joint de caoutchouc du tuyau d'arrivée d'eau et le remplacer par le nouveau joint de caoutchouc fourni.

2. Fixer le tuyau court et le raccord en "Y"



Fixer un tuyau d'arrivée d'eau de 2 pi (0,6 m) au robinet d'eau froide. Visser complètement le raccord à la main pour qu'il soit scellé au robinet. Puis fixer le raccord en "Y" à l'extrémité mâle du tuyau d'arrivée d'eau de 2 pi (0,6 m). Visser complètement le raccord à la main pour qu'il soit scellé au connecteur en "Y".

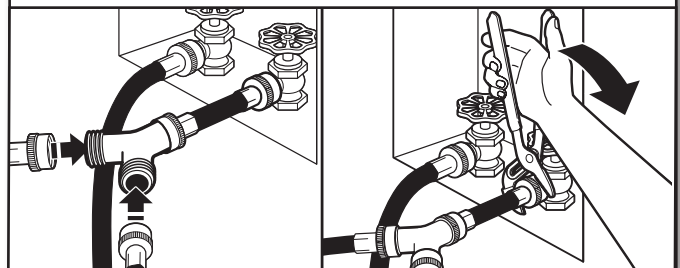
3. Serrer les raccords



À l'aide d'une pince, serrer les raccords en effectuant deux tiers de tour supplémentaire.

REMARQUE : Ne pas serrer excessivement. Le raccord risque d'être endommagé.

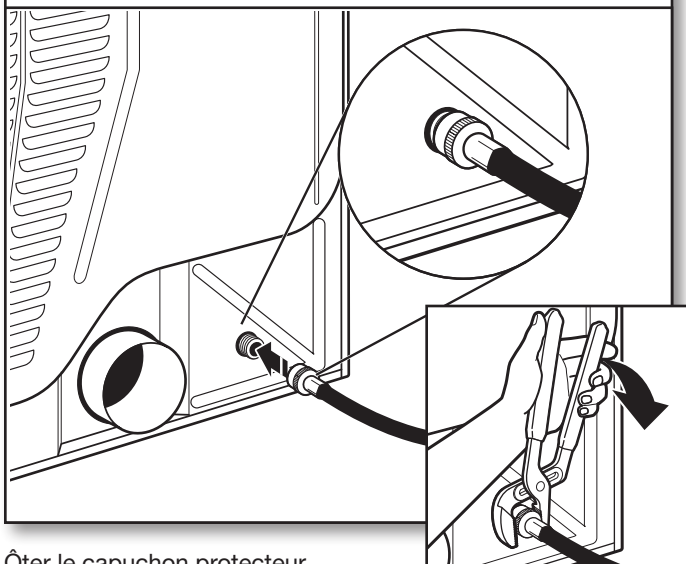
4. Fixer le long tuyau au raccord en "Y" et serrer les raccords



Fixer une des extrémités du tuyau d'arrivée d'eau de 5 pi (1,5 m) au connecteur en "Y". Fixer le tuyau d'alimentation en eau froide de la laveuse à l'autre extrémité du raccord en "Y". Visser le raccord à la main pour qu'il repose sur le connecteur. Terminer le serrage des raccords – deux tiers de tour supplémentaires avec une pince.

REMARQUE : Ne pas serrer excessivement. Le raccord risque d'être endommagé.

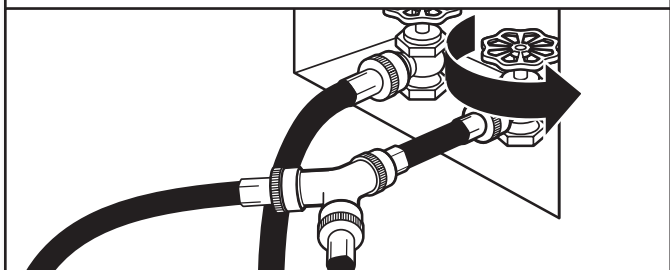
5. Fixer le long tuyau à l'électrovanne de remplissage de la sécheuse et serrer les raccords



Ôter le capuchon protecteur de l'orifice d'arrivée d'eau. Fixer l'extrémité inclinée du long tuyau au robinet de remplissage au bas du panneau arrière de la sécheuse. Visser complètement le raccord à la main pour qu'il soit scellé au raccord du robinet de remplissage. Terminer le serrage des raccords – deux tiers de tour supplémentaires avec une pince.

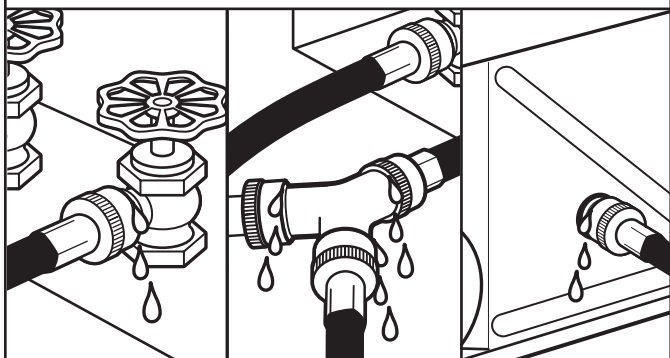
REMARQUE : Ne pas serrer excessivement. Le raccord risque d'être endommagé.

6. Ouvrir le robinet d'eau froide



Vérifier que les robinets d'eau sont ouverts.

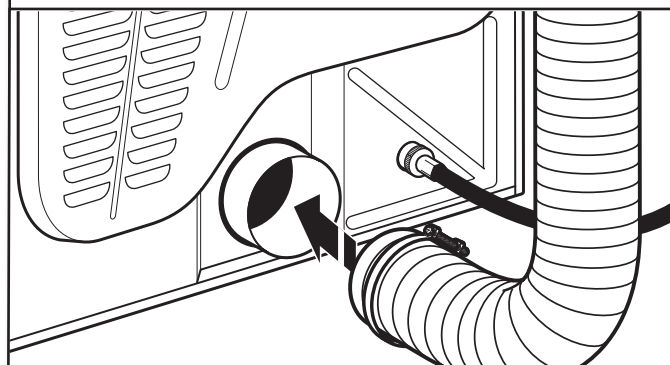
7. Vérifier qu'il n'y a pas de fuites



Vérifier qu'il n'y a pas de fuites autour du connecteur en "Y", du robinet et des tuyaux d'alimentation.

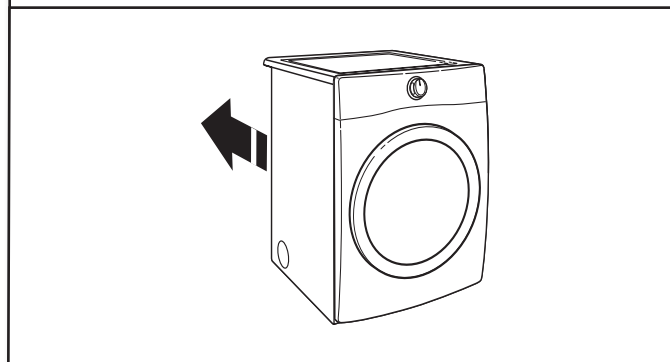
RACCORDEMENT DU CONDUIT D'ÉVACUATION

1. Raccorder le conduit d'évacuation à la bouche d'évacuation



À l'aide d'une bride de serrage de 4" (102 mm), relier le conduit d'évacuation à la bouche d'évacuation de la sécheuse. Si on utilise le conduit d'évacuation existant, s'assurer qu'il est propre. Le conduit d'évacuation de la sécheuse doit être fixé par-dessus la bouche d'évacuation et à l'intérieur du clapet d'évacuation. Vérifier que le conduit d'évacuation est fixé au clapet d'évacuation à l'aide d'une bride de serrage de 4" (102 mm).

2. Déplacer la sécheuse à son emplacement final

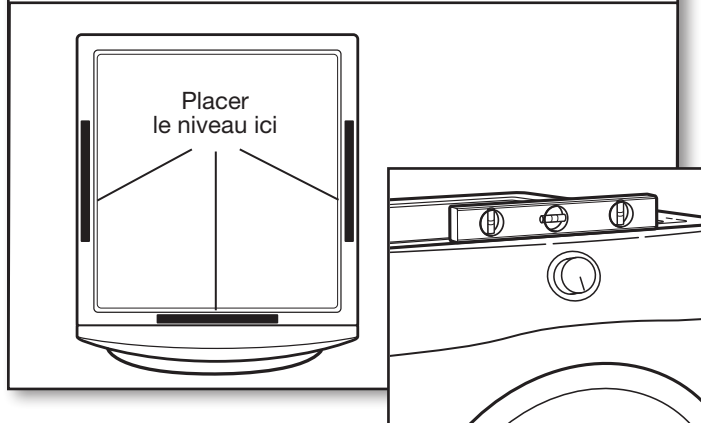


Déplacer la sécheuse à son emplacement final en prenant soin de ne pas écraser ou déformer le conduit d'évacuation ou la canalisation de gaz souple.

Une fois que la sécheuse est à son emplacement définitif, ôter les cornières et le carton du dessous de la sécheuse.

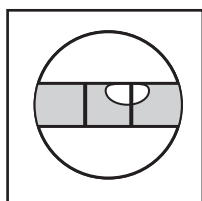
RÉGLAGE DE L'APLOMB DE LA SÈCHEUSE

1. Régler l'aplomb de la sècheuse

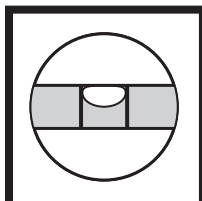


Vérifier l'aplomb de la sècheuse d'un côté à l'autre. Répéter l'opération de l'avant vers l'arrière.

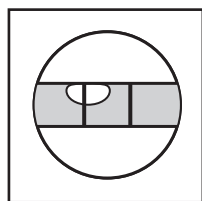
REMARQUE : La sècheuse doit être d'aplomb pour que le système de détection d'humidité fonctionne correctement.



Pas d'aplomb

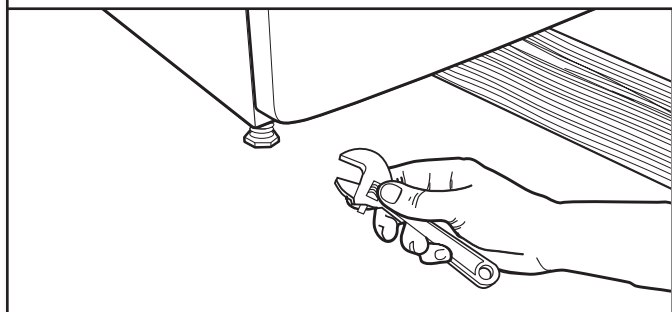


D'APLOMB



Pas d'aplomb

2. Ajuster les pieds de nivellement



Si la sècheuse n'est pas d'aplomb, la relever à l'aide d'un bloc de bois, utiliser une clé pour ajuster les pieds vers le haut ou vers le bas, et vérifier à nouveau si elle est d'aplomb. Une fois la sècheuse d'aplomb, s'assurer que les quatre pieds sont en contact ferme avec le plancher et que la sècheuse ne tangue pas.

ACHEVER L'INSTALLATION LISTE DE VÉRIFICATION

- Vérifier que toutes les pièces sont maintenant installées. S'il reste une pièce, passer en revue les différentes étapes pour découvrir laquelle aurait été oubliée.
- Vérifier la présence de tous les outils.
- Éliminer/recycler les matériaux d'emballage.
- Vérifier que les robinets d'eau sont ouverts.
- Vérifier qu'il n'y a pas de fuites autour du raccord en "Y", du robinet et des tuyaux.
- Vérifier l'emplacement définitif de la sècheuse. S'assurer que le conduit d'évacuation n'est pas écrasé ou déformé.
- Vérifier que la sècheuse est d'aplomb. Voir "Réglage de l'aplomb de la sècheuse".
- Retirer la pellicule sur le panneau de commande et tout ruban adhésif resté sur la sècheuse.
- Essuyer soigneusement l'intérieur du tambour de la sècheuse avec un chiffon humide pour éliminer toute trace de poussière.
- Lire la section "Utilisation de la sècheuse" dans le Guide d'utilisation et d'entretien.
- Si l'on réside dans une région où l'eau est dure, l'emploi d'un adoucisseur d'eau est recommandé pour contrôler l'accumulation de tartre dans le circuit d'eau de la sècheuse. Avec le temps, l'accumulation de tartre peut obstruer différentes parties du circuit d'eau, ce qui réduira la performance du produit. Une accumulation excessive de tartre peut entraîner la nécessité de remplacer ou de réparer certains composants.

Modèles électriques seulement :

- Brancher sur une prise reliée à la terre.

Modèles à gaz seulement :

- Brancher sur une prise reliée à la terre.
- S'assurer que l'alimentation en gaz est ouverte.
- Vérifier qu'il n'y a pas de fuites.
- Vérifier que la canalisation de gaz souple n'est pas écrasée ou déformée.

Tous les modèles :

- Sélectionner un programme de séchage minuté avec chaleur et mettre la sècheuse en marche. Ne pas sélectionner le réglage de température Air Only (Air seulement).

Si la sècheuse ne démarre pas, vérifier ce qui suit :

- Les commandes sont réglées à la position de marche ou sur "On" (marche).
- Le bouton Start (Mise en marche) a été enfoncé fermement.
- La sècheuse est branchée dans une prise et/ou l'alimentation électrique est branchée.
- Les fusibles du domicile sont intacts et serrés; le disjoncteur n'est pas déclenché.
- La porte de la sècheuse est fermée.

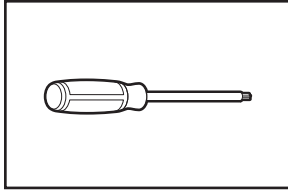
Cette sècheuse démarre automatiquement une procédure de diagnostic au début du premier programme.

REMARQUE : Il est possible que la sècheuse dégage une odeur lors du chauffage initial. Cette odeur est normale lorsque l'élément chauffant est utilisé pour la première fois. L'odeur disparaîtra.

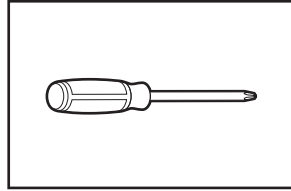
INVERSION DE LA PORTE (FACULTATIF)

Les instructions suivantes correspondent aux modèles avec porte ronde et carrée.

Outils nécessaires :



Tournevis TORX®, T20® et T25®† de 8" (203 mm) min. de long



Tournevis Phillips n° 2

INVERSION DU SENS D'OUVERTURE DE LA PORTE RONDE

PORTES AVEC CÂBLAGE ÉLECTRIQUE :

⚠ AVERTISSEMENT

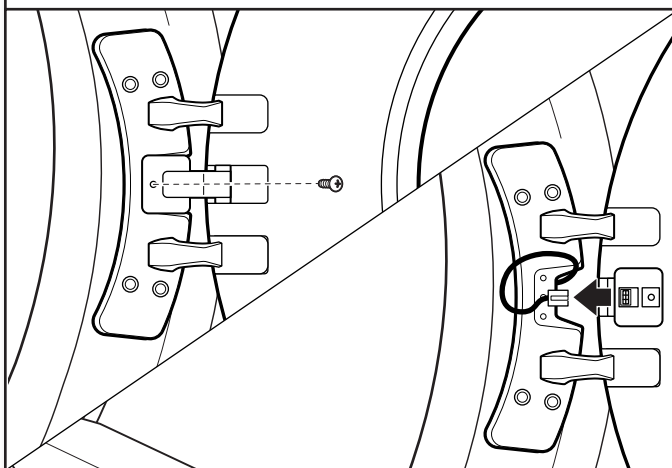


Risque de choc électrique

Déconnecter la source de courant électrique avant l'entretien.

Le non-respect de cette instruction peut causer un décès ou un choc électrique.

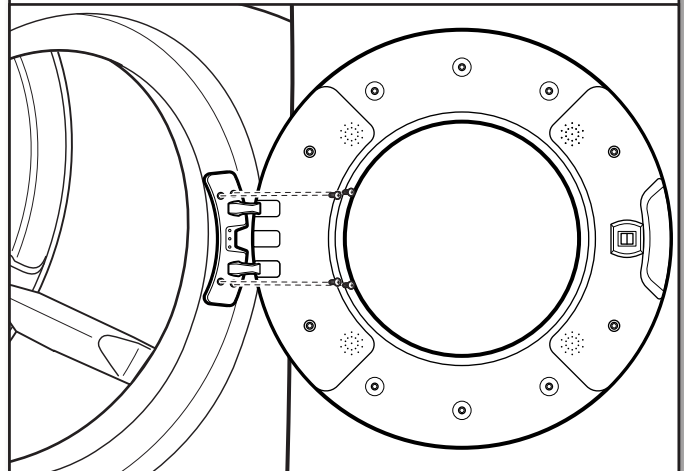
1. Déconnecter le câblage de la porte



À l'aide d'un tournevis cruciforme, retirer la vis centrale de la charnière. Déconnecter le câblage. Passer le câblage dans l'ouverture.

TOUTES LES PORTES :

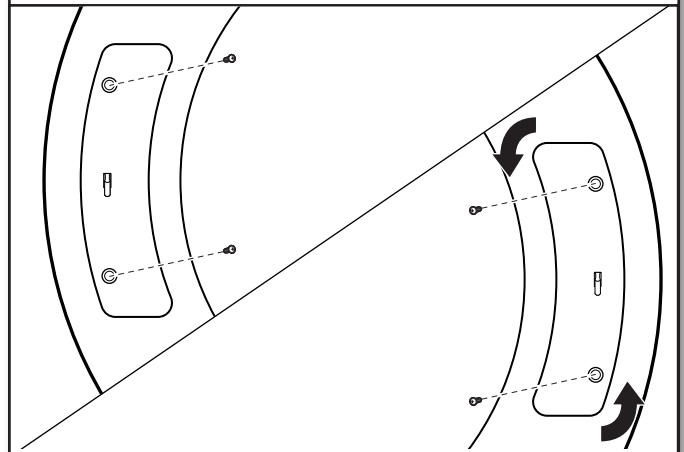
2. Retirer la porte de la sécheuse



IMPORTANT : Si l'on n'a pas encore retiré la pellicule protectrice de la sécheuse, la décoller de la porte de la sécheuse avant de continuer.

À l'aide d'un tournevis T25®, retirer les quatre vis fixant la charnière de porte à la sécheuse et soulever la porte vers le haut et l'extérieur pour l'enlever. Placer la porte sur une serviette douce ou sur une surface lisse.

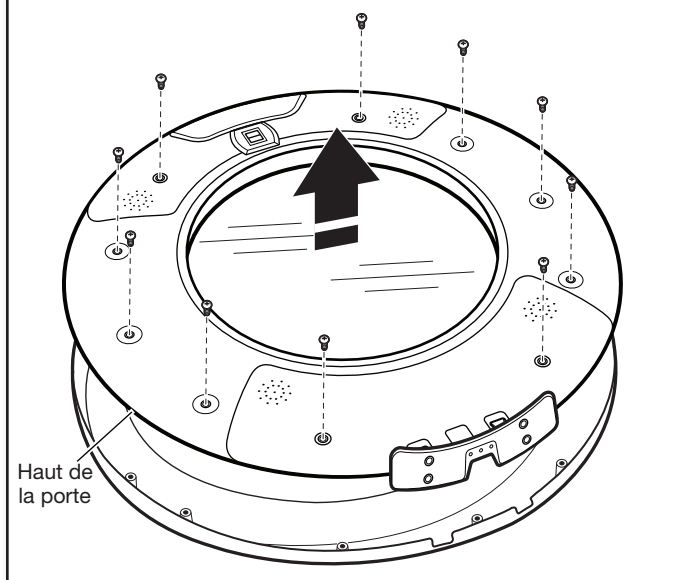
3. Déplacer la gâche de la porte



À l'aide d'un tournevis T25®, retirer les deux vis fixant la gâche de la porte au châssis de la porte de la sécheuse. Faire pivoter la gâche de 180° et la fixer au côté opposé du châssis de la porte de la sécheuse à l'aide des deux vis enlevées précédemment, comme indiqué.

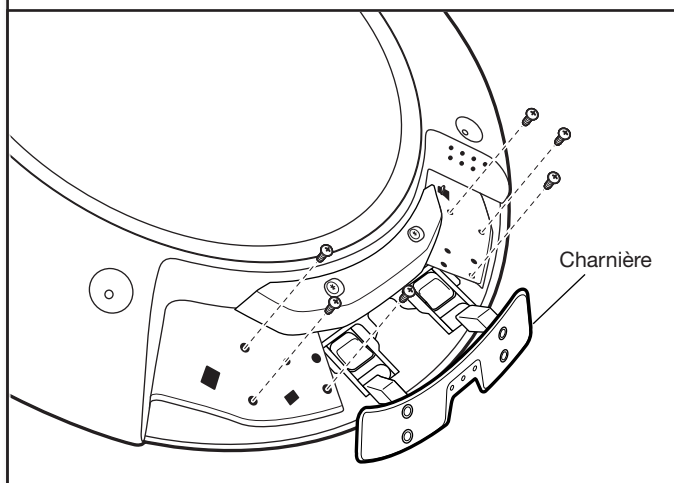
†®TORX, T20 et T25 sont les marques de commerce déposées de Acument Intellectual Properties, LLC.

4. Dégager la porte interne de la porte externe



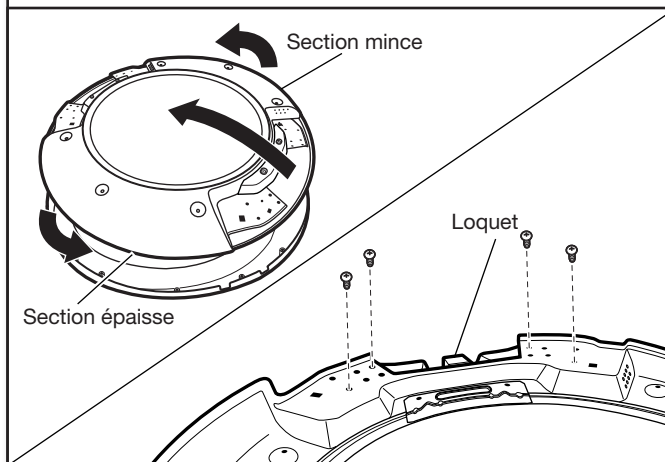
Positionner la porte de façon à ce que l'intérieur de la porte soit orienté vers le haut. À l'aide d'un tournevis cruciforme, retirer les 10 vis fixant l'intérieur de porte à l'extérieur de porte.

5. Enlever la charnière



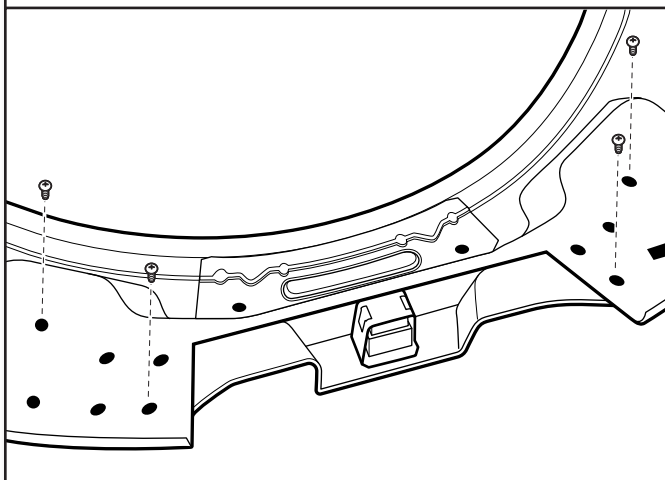
À l'aide d'un tournevis T20®, retirer les six vis maintenant en place la charnière.

6. Enlever le loquet



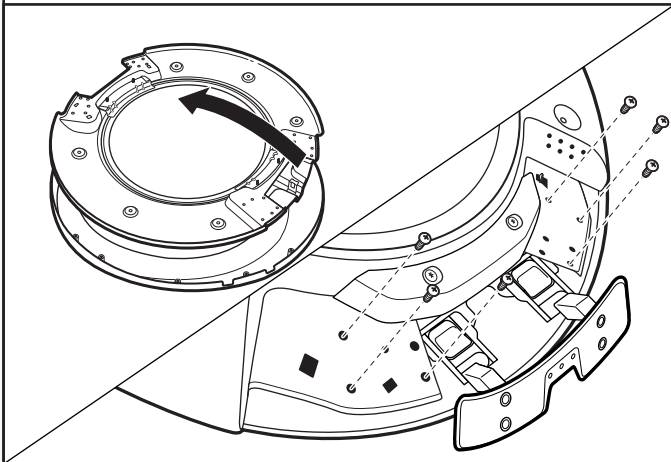
Inverser et faire pivoter l'intérieur de porte de 180° pour que la section mince se situe en haut et la section épaisse en bas. À l'aide d'un tournevis T25®, retirer les quatre vis maintenant en place la plaque du loquet.

7. Réinstaller le loquet sur l'autre côté



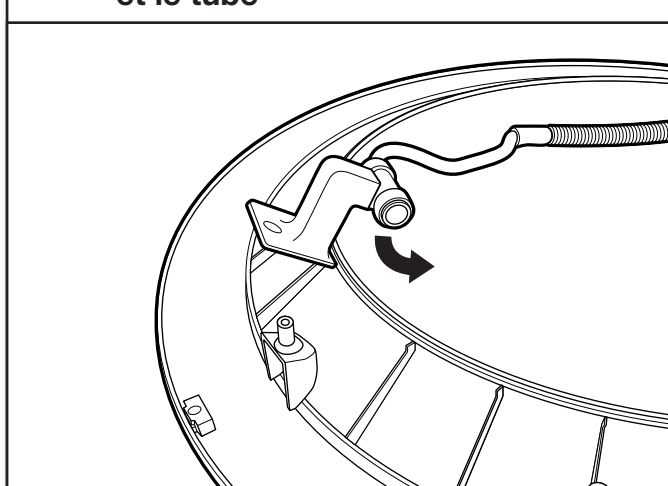
À l'aide d'un tournevis T25®, réinstaller la plaque du loquet sur le côté opposé (par rapport à celui d'où il a été enlevé) en utilisant les quatre vis enlevées précédemment.

8. Réinstaller la charnière sur l'autre côté



Inverser l'intérieur de porte vers la gauche. À l'aide d'un tournevis T20®, réinstaller la charnière sur le côté opposé (par rapport à celui d'où il a été enlevé).

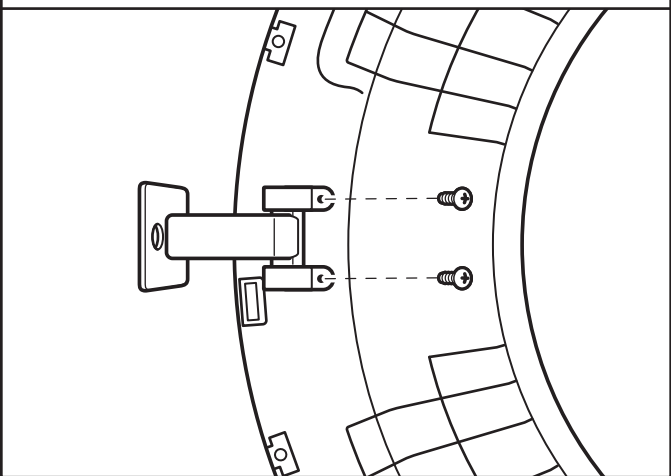
10. Replacer l'ensemble de rotation et le tube



Replacer l'ensemble de rotation et le tube de 180°, du côté opposé de la porte.

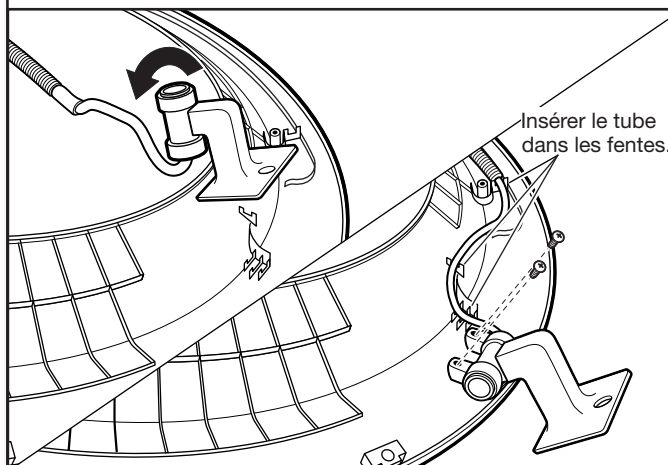
PORTES AVEC CÂBLAGE ÉLECTRIQUE :

9. Enlever l'ensemble de rotation



Soulever le panneau interne de porte. À l'aide d'un tournevis cruciforme, retirer les deux vis fixant l'ensemble de rotation à la porte.

11. Faire tourner la base de l'ensemble et serrer en place

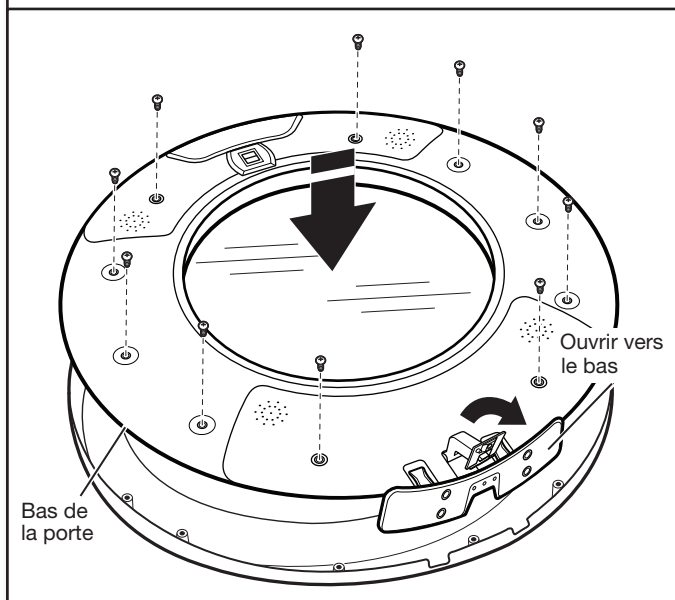


Faire tourner la base de l'ensemble de 180° vers vous et le fixer à l'aide des deux vis enlevées précédemment à l'aide d'un tournevis cruciforme. Insérer le tube dans les fentes.

IMPORTANT : S'assurer d'ouvrir la charnière vers le bas en avant de l'ensemble de rotation (voir l'étape 12).

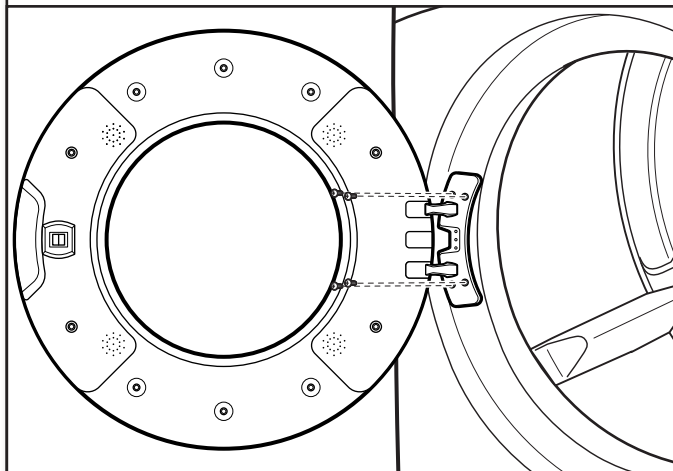
TOUTES LES PORTES :

12. Réinstaller l'intérieur de porte



Positionner la porte de façon à ce que l'intérieur de la porte soit orienté vers le haut. À l'aide d'un tournevis cruciforme, réinstaller les 10 vis enlevées précédemment pour fixer l'intérieur de porte à l'extérieur de porte.

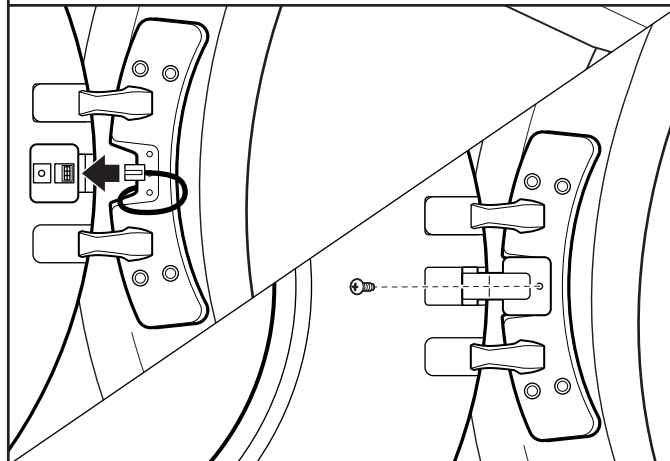
13. Réinstaller la porte sur la sécheuse



Portes avec câblage électrique : Passer le câblage par l'ouverture du panneau avant, avant de réinstaller la porte. Insérer les onglets sur la charnière dans l'encoche de montage et les faire glisser vers le bas pour engager l'onglet supérieur. Fixer avec les quatre vis T25® enlevées précédemment.

PORTES AVEC CÂBLAGE ÉLECTRIQUE :

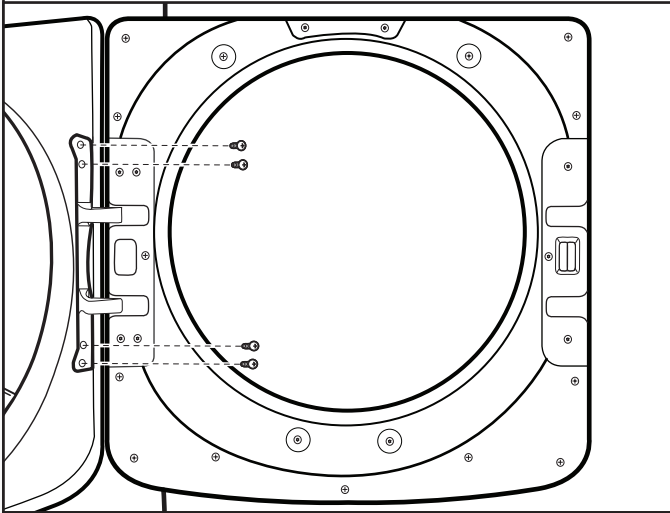
14. Reconnecter le câblage



Brancher le câblage. À l'aide d'un tournevis cruciforme, fixer l'ensemble de rotation à la charnière en utilisant la vis enlevée précédemment.

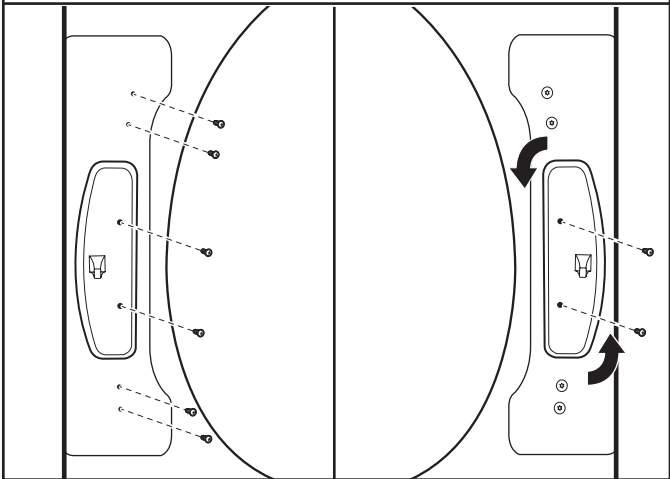
INVERSION DU SENS D'OUVERTURE DE LA PORTE CARRÉE

1. Retirer la porte de la sécheuse



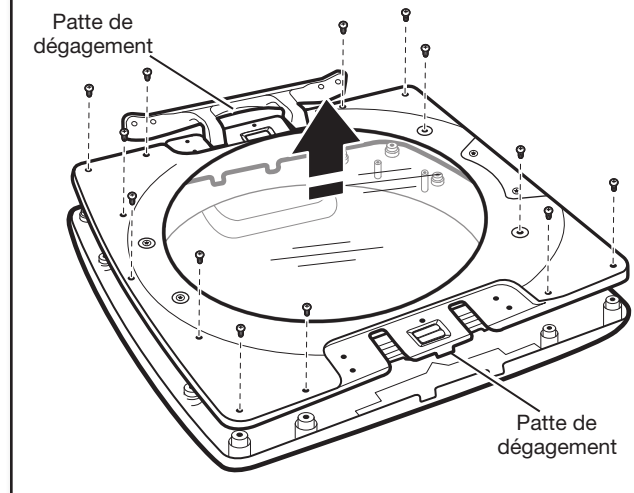
À l'aide d'un tournevis T25®, retirer les quatre vis fixant la charnière de porte à la sécheuse et soulever la porte pour la retirer. Placer la porte sur une serviette douce ou sur une surface lisse. Conserver ou mettre les quatre vis de côté.

2. Déplacer la gâche de la porte



À l'aide d'un tournevis T25®, retirer les deux vis fixant la gâche de la porte au châssis de la porte de la sécheuse. Retirer les quatre vis au-dessus et en dessous de la gâche de la porte et les mettre de côté pour utilisation ultérieure. Faire pivoter la gâche de 180° et la fixer au côté opposé du châssis de la porte de la sécheuse, tel qu'indiqué.

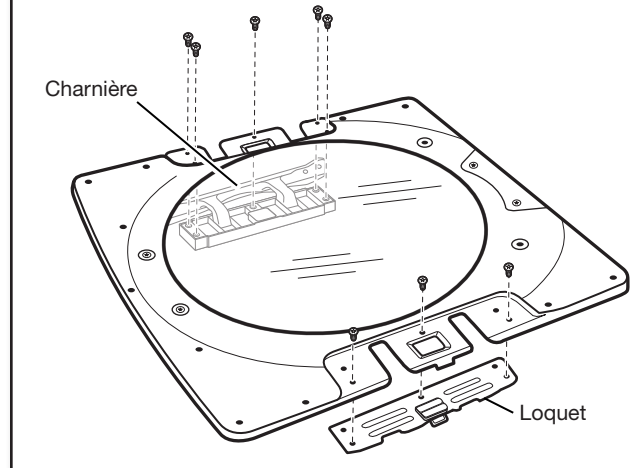
3. Dégager la porte interne de la porte externe



Positionner la porte de façon à ce que l'intérieur de la porte soit orienté vers le haut. À l'aide d'un tournevis Phillips, retirer les 13 vis fixant la porte interne à la porte externe. Soulever la porte interne pour la dégager et la mettre de côté.

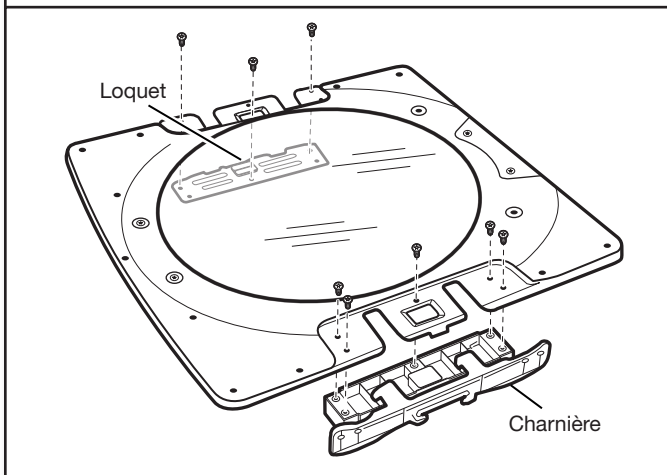
REMARQUE : Une petite patte de dégagement se trouve de chaque côté de la porte. Si la porte interne ne se dégage pas facilement de la porte externe, introduire une carte de crédit, un couteau à mastic ou un autre objet plat similaire entre la porte interne et la porte externe aux emplacements indiqués pour dégager la patte.

4. Retirer la charnière et le loquet de la porte interne



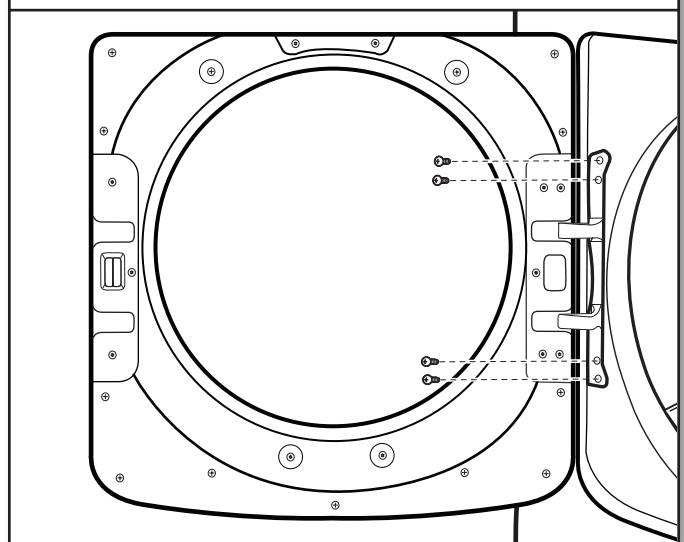
À l'aide d'un tournevis T25®, retirer les trois vis fixant la plaque de protection du loquet et la plaque de support du loquet; retirer aussi les cinq vis maintenant la charnière en place.

5. Réinstaller la charnière et le loquet sur chaque côté



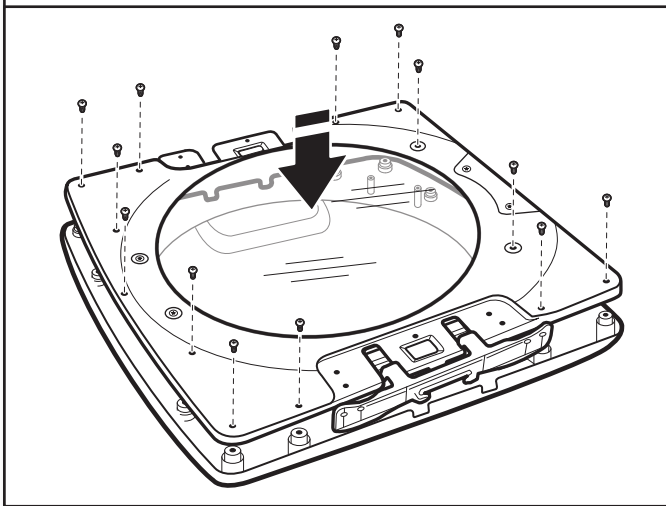
À l'aide d'un tournevis T25®, réinstaller la plaque de protection du loquet, la plaque de support du loquet et la charnière sur les côtés dont elles ont été respectivement retirées.

7. Réinstaller la porte sur la sécheuse



À l'aide d'un tournevis T25®, réinstaller les quatre vis fixant la charnière de la porte à la sécheuse.

6. Réinstaller la porte interne sur la porte externe



Placer la porte interne sur la porte externe. Avec un tournevis Phillips, visser les 13 vis retirées précédemment.



15.5" PEDESTAL INSTALLATION INSTRUCTIONS

For use only with front load washers and dryers

INSTRUCTIONS D'INSTALLATION DU PIÉDESTAL DE 15,5"

Pour utilisation avec les produits suivants seulement
laveuses et sècheuses à chargement par l'avant

Para una versión de estas instrucciones en español, visite www.whirlpool.com

Table of Contents

PEDESTAL SAFETY 1
 INSTALLATION REQUIREMENTS.....2
 Location Requirements2
 Tools and Parts.....2
 UNPACKING THE PEDESTAL3
 BEFORE INSTALLING THE PEDESTAL.....3
 INSTALLING THE PEDESTAL.....4
 COMPLETE THE INSTALLATION.....7

Table des matières

SÉCURITÉ DU PIÉDESTAL9
 EXIGENCES D'INSTALLATION9
 Exigences d'emplacement.....9
 Outillage et pièces9
 INSTRUCTIONS D'INSTALLATION 10
 AVANT L'INSTALLATION DU PIÉDESTAL 11
 INSTALLATION DU PIÉDESTAL 12
 ACHEVER L'INSTALLATION..... 15

INSTALLATION NOTES

Date of purchase: _____
 Date of installation: _____
 Installer: _____
 Model number: _____
 Serial number: _____

NOTES CONCERNANT L'INSTALLATION

Date d'achat : _____
 Date d'installation : _____
 Installateur : _____
 Numéro de modèle : _____
 Numéro de série : _____

PEDESTAL SAFETY

Your safety and the safety of others are very important.

We have provided many important safety messages in this manual and on your appliance. Always read and obey all safety messages.



This is the safety alert symbol.

This symbol alerts you to potential hazards that can kill or hurt you and others.

All safety messages will follow the safety alert symbol and either the word "DANGER" or "WARNING."

These words mean:

⚠ DANGER

You can be killed or seriously injured if you don't immediately follow instructions.

⚠ WARNING

You can be killed or seriously injured if you don't follow instructions.

All safety messages will tell you what the potential hazard is, tell you how to reduce the chance of injury, and tell you what can happen if the instructions are not followed.

INSTALLATION REQUIREMENTS

LOCATION REQUIREMENTS

⚠ WARNING



Explosion Hazard

Keep flammable materials and vapors, such as gasoline, away from dryer.

Place dryer at least 18 inches (460 mm) above the floor for a garage installation.

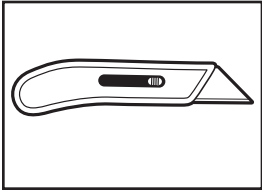
Failure to do so can result in death, explosion, or fire.

NOTE: If the washer/dryer and pedestal assembly are located in a garage, 3" (76 mm) must be added under the pedestal so that the washer/dryer is 18" (458 mm) above the garage floor.

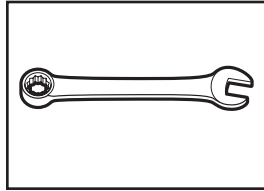
TOOLS AND PARTS

Gather the required tools and parts before starting installation.

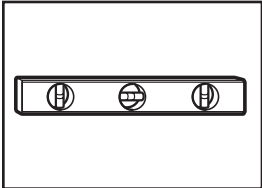
Tools Needed:



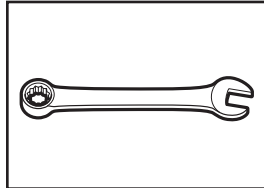
Utility knife



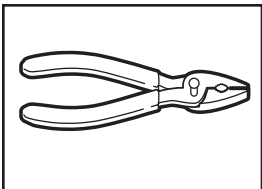
1/4" hex-head ratchet or open-end wrench



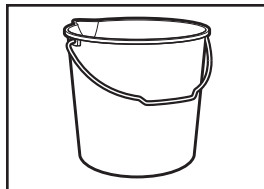
Level



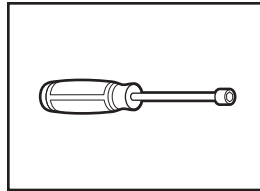
9/16" open-end wrench



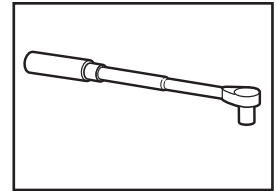
Pliers or slip-joint pliers



Bucket

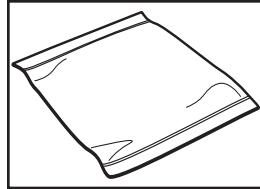


1/4" nut driver

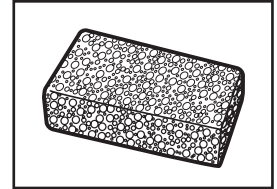


5/16" hex-head ratchet or nut driver

Additional Items Needed:

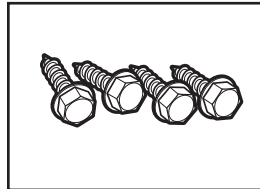


Towel

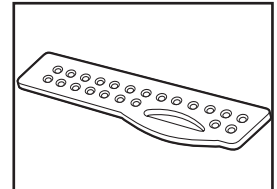


Sponge

Parts Supplied:



Four #12 x 3/4" hex-head sheet metal screws



Drawer divider

UNPACKING THE PEDESTAL

Preparing the pedestal for installation

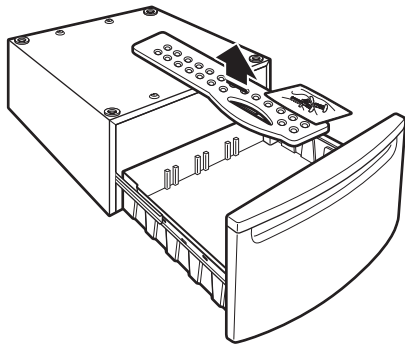
⚠ WARNING

Excessive Weight Hazard

**Use two or more people to move and install pedestal.
Failure to do so can result in back or other injury.**

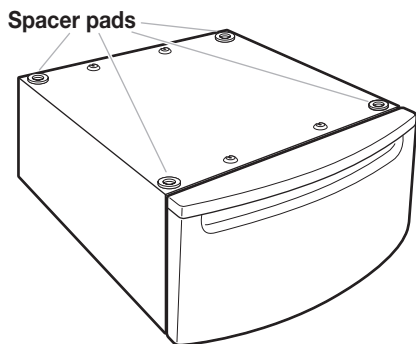
IMPORTANT: Set the pedestal box aside for use during installation.

1. Empty pedestal drawer



Open the pedestal drawer as far as possible and remove the contents. The package contains four #12 x 3/4" hex-head sheet metal screws and a drawer divider.

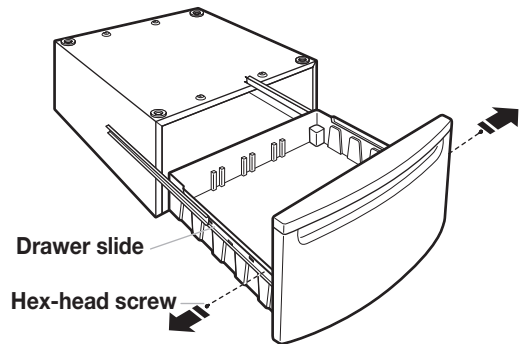
2. Locate spacer pads



The four spacer pads are installed on the top of the pedestal. These pads reduce vibration between the pedestal and the washer/dryer.

NOTE: If your washer/dryer has feet installed, remove them.

3. Remove pedestal drawer



Using a 1/4" nut driver, remove the hex-head screws from both drawer slides and save screws. Remove the drawer from the slides and set aside. Push the slides back into the pedestal.

BEFORE INSTALLING PEDESTAL

IMPORTANT: If your washer and dryer are already installed, they must be uninstalled.

Uninstalling your washer

To avoid possible damage to the washer, the transport bolts on the back of the washer must be in place before installing the pedestal. For more information on transport bolts see, "Remove Transport System" in washer Use and Care Guide.

⚠ WARNING

Excessive Weight Hazard

**Use two or more people to move and uninstall washer.
Failure to do so can result in back or other injury.**

NOTE: If the washer is to be transported, call your local service center. To avoid suspension and structural damage, your washer must be properly set up for relocation by a certified technician.

1. Turn off the hot and cold water faucets.
2. Unplug the power supply cord.
3. Slowly loosen the fill hoses at the faucets to relieve the water pressure. Use a sponge or towel to absorb the released water.
4. Remove the "HOT" and "COLD" fill hoses from the back of the washer. Drain the water from the hoses into a bucket.
5. Remove the drain hose from the standpipe or laundry tub and drain any water remaining in the hose into a bucket.
6. Pull the washer away from the wall so that you will have enough space for the installation.

Uninstalling your electric dryer

⚠ WARNING



Electrical Shock Hazard

Disconnect power before servicing.
Replace all parts and panels before operating.
Failure to do so can result in death or electrical shock.

⚠ WARNING

Excessive Weight Hazard

Use two or more people to move and uninstall dryer.
Failure to do so can result in back or other injury.

1. Unplug the power supply cord or disconnect wiring if dryer is direct wired.
2. Pull the dryer away from the wall enough to loosen the vent clamp. Loosen the clamp and gently remove the exhaust vent from the dryer exhaust outlet.
3. Pull the dryer away from the wall so that you will have enough space for the installation.

Uninstalling your gas dryer

⚠ WARNING

Excessive Weight Hazard

Use two or more people to move and uninstall dryer.
Failure to do so can result in back or other injury.

1. Unplug the power supply cord.
2. Turn off the gas supply.
3. Pull the dryer away from the wall enough to loosen the vent clamp. Loosen the clamp and gently remove the exhaust vent from the dryer exhaust outlet.
4. Disconnect the flexible gas supply line from the dryer. Put a piece of tape over the open ends of the gas line connection fittings.
5. Pull the dryer away from the wall so that you will have enough space for the installation.

Installation of new washer/dryer

⚠ WARNING

Excessive Weight Hazard

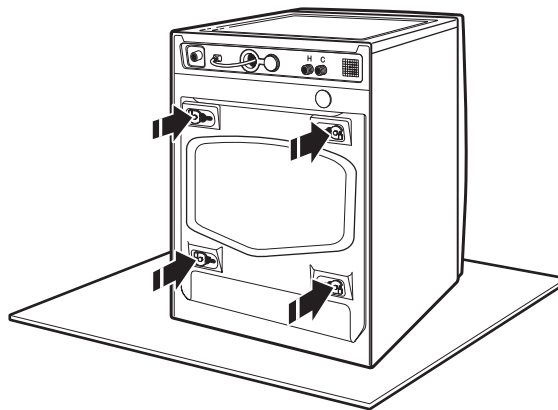
Use two or more people to move and install washer/dryer.
Failure to do so can result in back or other injury.

1. Unpack the washer/dryer and move close to the intended installation location.

INSTALLING THE PEDESTAL

Installing the pedestal on the washer

Confirm transport bolts are in place



Locate the transport bolts on rear of washer. Transport bolts must remain in washer before pedestal can be installed. For more information on transport bolts see, "Remove Transport System" in washer Use and Care Guide.

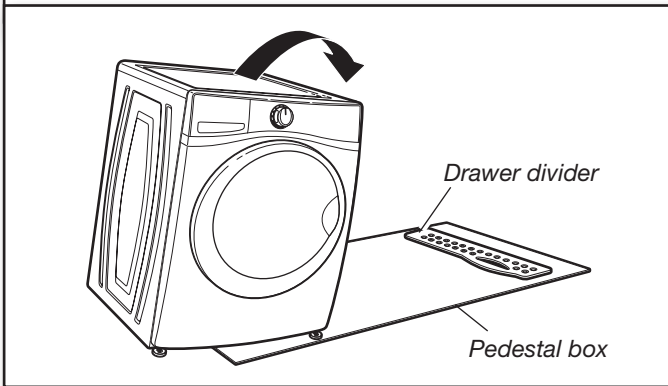
⚠ WARNING

Excessive Weight Hazard

Use two or more people to move and install washer/dryer.

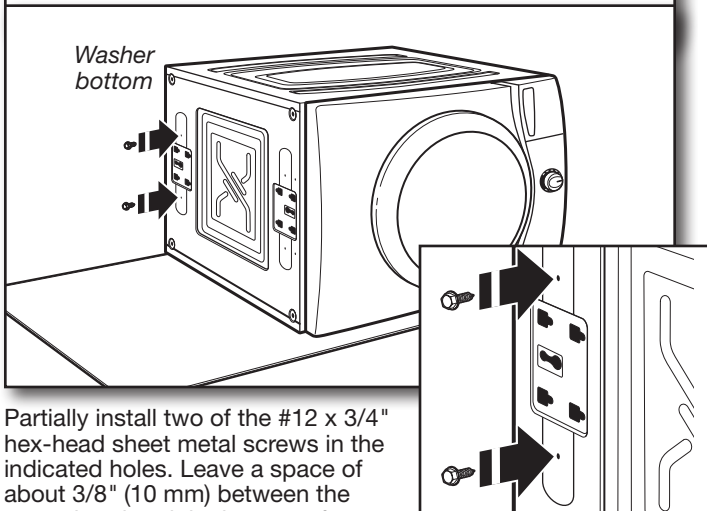
Failure to do so can result in back or other injury.

1. Place washer on its side



To avoid floor damage and ease installation and handling, unfold the empty pedestal box flat and place it next to the washer. Position the drawer divider so that it will be near the top of the washer, as shown. Gently tip the washer on its side so the washer is resting on the drawer divider.

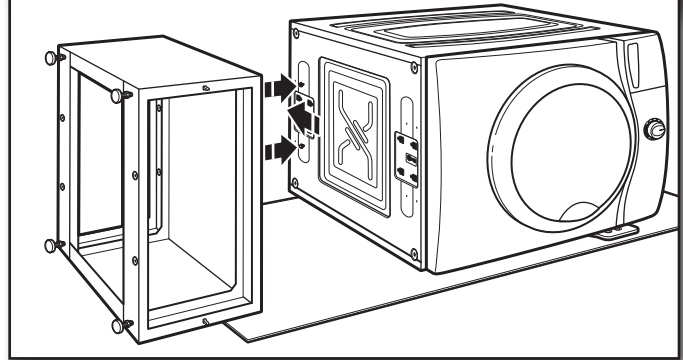
2. Prepare the washer



Partially install two of the #12 x 3/4" hex-head sheet metal screws in the indicated holes. Leave a space of about 3/8" (10 mm) between the screw head and the bottom of the washer.

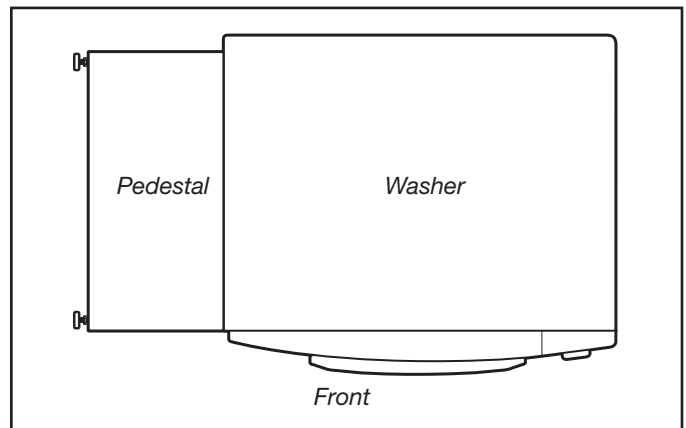
NOTE: If your washer has leveling feet installed, remove them.

3. Attach pedestal to washer

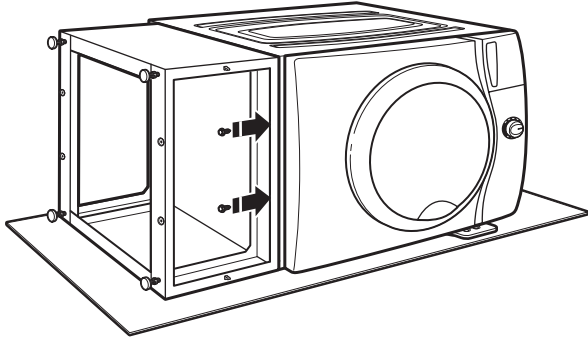


Move the pedestal against the washer bottom. The front of the pedestal cabinet should align with the washer cabinet as shown below.

Slide the pedestal's keyhole slots over the lower two partially installed screws.



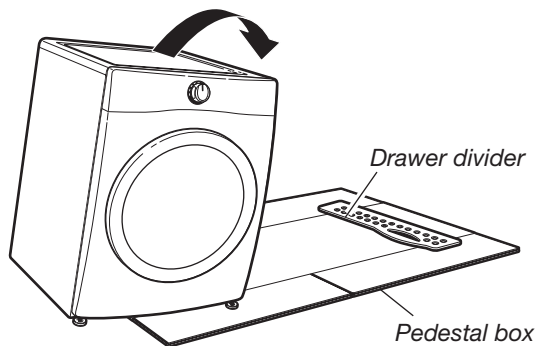
4. Secure pedestal to washer



Position the pedestal toward the front of the washer and install the two remaining hex-head sheet metal screws. Do not tighten completely. Now proceed to “Complete the pedestal installation”.

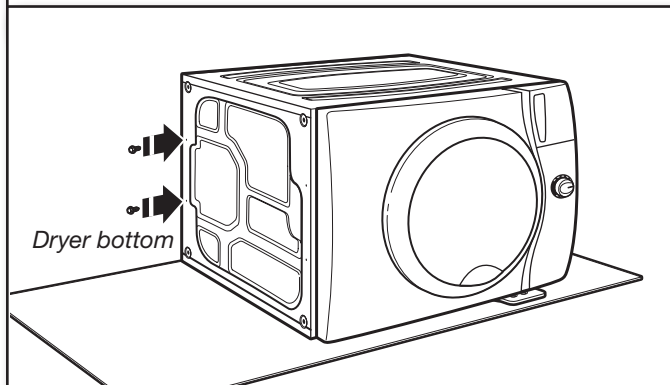
Installing the pedestal on the dryer

1. Place dryer on its side



To avoid floor damage and ease installation and handling, unfold the empty pedestal box flat and place it next to the dryer. Position the drawer divider so that it will be near the top of the dryer, as shown. Gently tip the dryer on its side so the dryer is resting on the drawer divider.

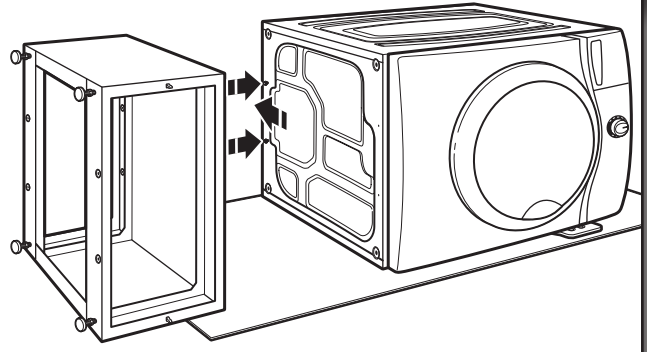
2. Prepare the dryer



Partially install two of the #12 x 3/4" hex-head sheet metal screws in the indicated holes. Leave a space of about 3/8" (10 mm) between the screw head and the bottom of the dryer.

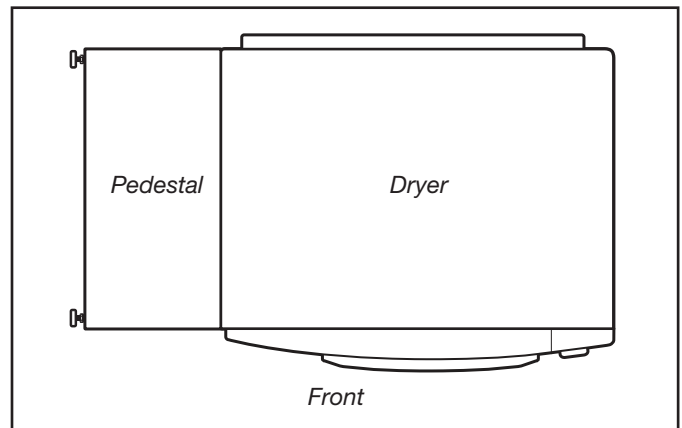
NOTE: If your dryer has leveling feet installed, remove them. Do not install the feet that came with the new dryer.

3. Attach pedestal to dryer



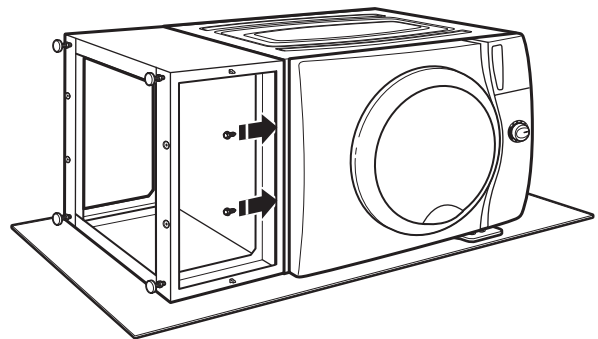
Move the pedestal against the dryer bottom. The front of the pedestal cabinet should align with the dryer cabinet as shown below.

Slide the pedestal's keyhole slots over the lower two partially installed screws.



View from above

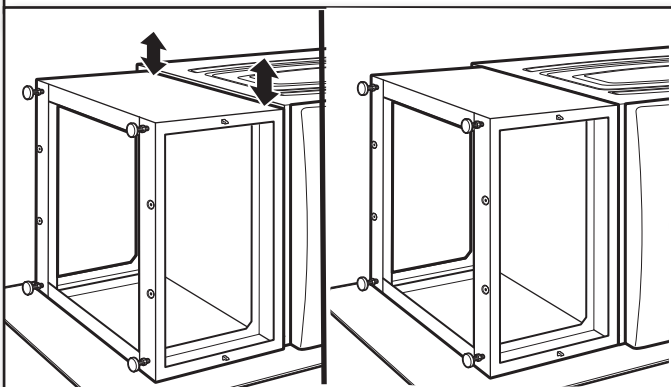
4. Secure pedestal to dryer



Position the pedestal toward the front of the dryer and install the two remaining hex-head sheet metal screws. Do not tighten completely. Now proceed to “Complete the pedestal installation”.

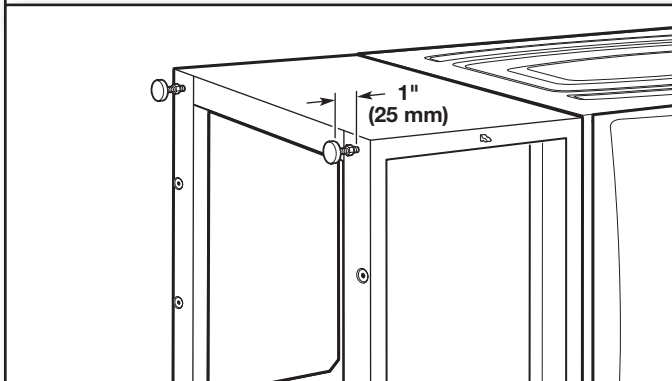
COMPLETE THE INSTALLATION

1. Align sides of pedestal



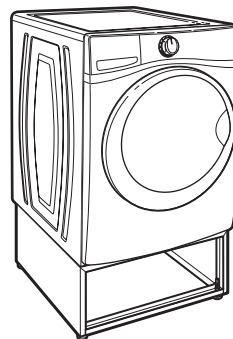
Align the sides of the pedestal so that they are even with the sides of the washer/dryer. Reach inside the pedestal opening and securely tighten all four pedestal screws.

2. Prepare pedestal feet



Using a 1/4" hex head ratchet or open-end wrench, lower the feet approximately 1" (25 mm) away from the bottom of the pedestal.

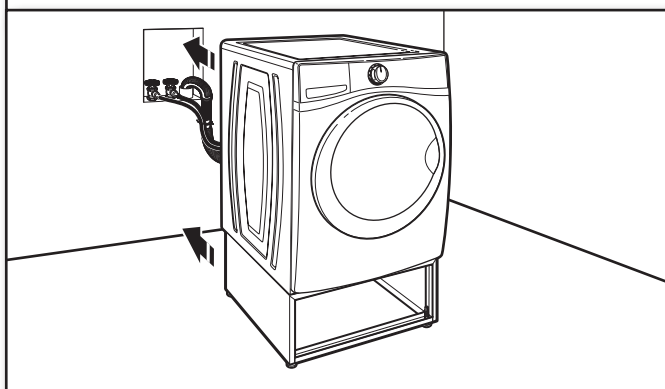
3. Stand the washer/dryer upright



Tip the washer/dryer back to its upright position. Remove any remaining packaging material. Set the pedestal box aside for use if installing another pedestal. Once both the washer and dryer have been installed, dispose of/recycle all packaging material.

Level the washer/dryer

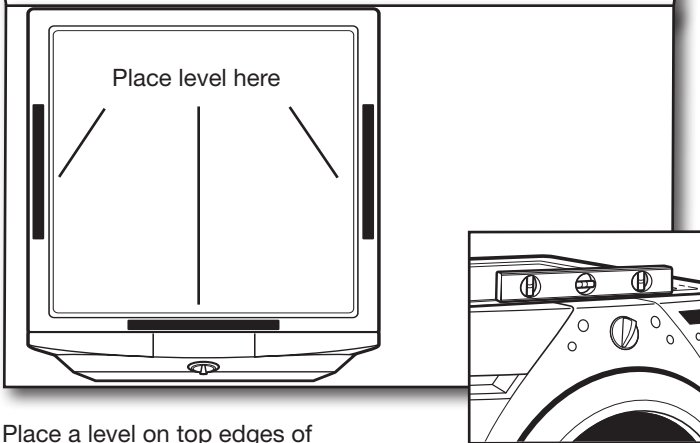
1. Move close to final location



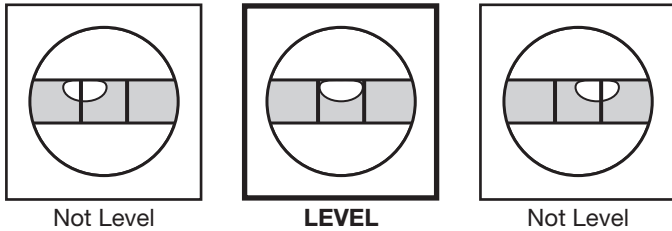
Follow the installation instructions that came with your model to finish installing or reinstalling your washer/dryer (i.e., hoses, vents, etc.).

NOTE: Be sure to remove the transport bolts from the back of the washer.

2. Check levelness of washer/dryer

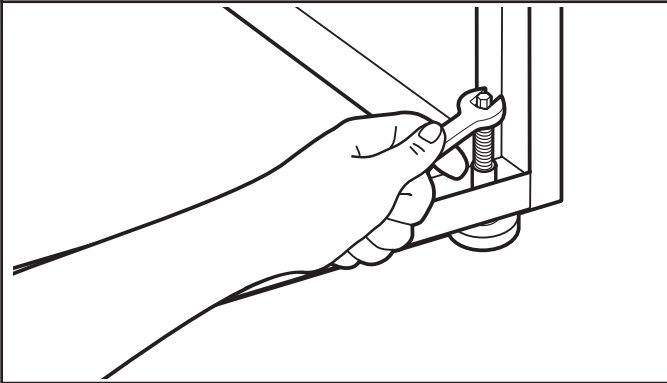


Place a level on top edges of washer/dryer, checking each side and front. Rock washer/dryer back and forth to make sure all four feet make solid contact with floor.



If not level, adjust pedestal feet up or down, repeating as necessary.

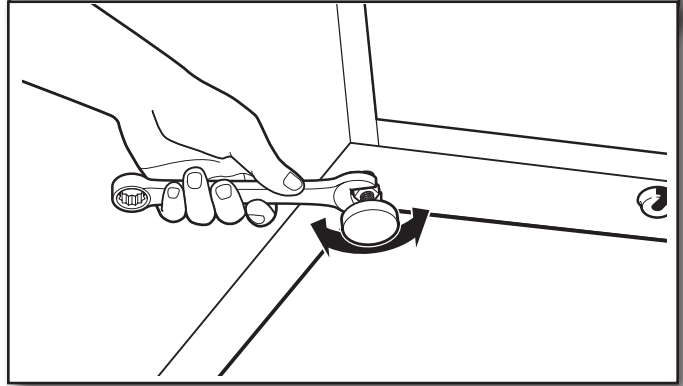
3. Adjust pedestal feet



Locate the 1/4" hex-head screws on the top of each pedestal foot. Reach inside the pedestal and use a 1/4" hex-head ratchet or open-end wrench to adjust the feet up or down as needed, to level the washer/dryer.

NOTE: Make sure all four pedestal feet are in solid contact with the floor.

4. Securely tighten jam nuts

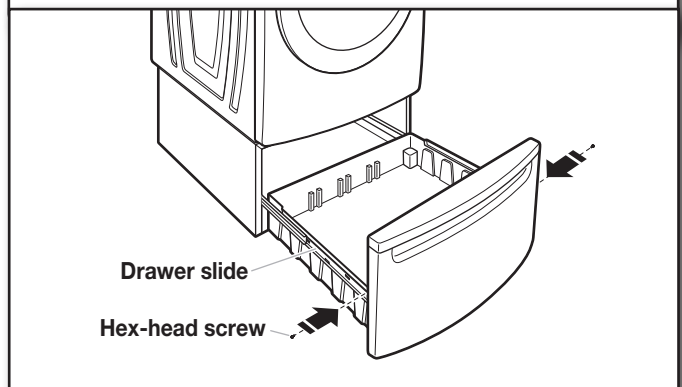


When the washer/dryer is level, use a 9/16" open-end wrench to securely tighten all four jam nuts against the pedestal.

IMPORTANT: The jam nuts must be tightened to avoid vibration.

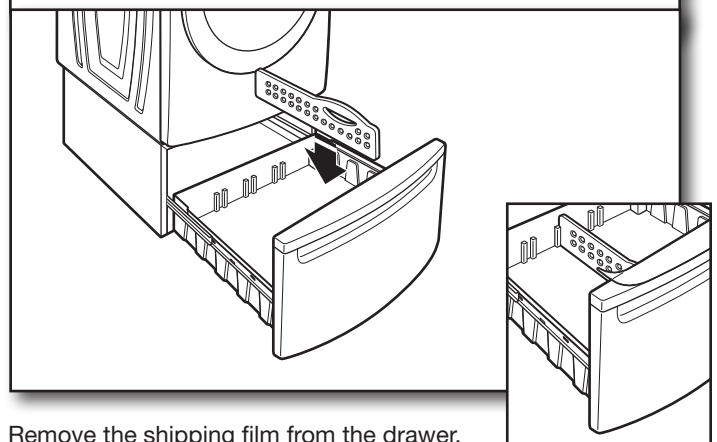
Reinstall pedestal drawer

1. Reassemble pedestal drawer



Pull both drawer slides out and reassemble the drawer to the drawer slides with the two hex-head screws.

2. Place drawer divider in drawer



Remove the shipping film from the drawer. Place the divider in the drawer at the desired location. Close the drawer.

NOTE: Use of the divider is optional.

SÉCURITÉ DU PIÉDESTAL

Votre sécurité et celle des autres est très importante.

Nous donnons de nombreux messages de sécurité importants dans ce manuel et sur votre appareil ménager. Assurez-vous de toujours lire tous les messages de sécurité et de vous y conformer.



Voici le symbole d'alerte de sécurité.

Ce symbole d'alerte de sécurité vous signale les dangers potentiels de décès et de blessures graves à vous et à d'autres.

Tous les messages de sécurité suivront le symbole d'alerte de sécurité et le mot "DANGER" ou "AVERTISSEMENT". Ces mots signifient :

⚠ DANGER

Risque possible de décès ou de blessure grave si vous ne suivez pas immédiatement les instructions.

⚠ AVERTISSEMENT

Risque possible de décès ou de blessure grave si vous ne suivez pas les instructions.

Tous les messages de sécurité vous diront quel est le danger potentiel et vous disent comment réduire le risque de blessure et ce qui peut se produire en cas de non-respect des instructions.

EXIGENCES D'INSTALLATION

EXIGENCES D'EMPLACEMENT

⚠ AVERTISSEMENT



Risque d'explosion

Garder les matières et les vapeurs inflammables, telle que l'essence, loin de la sècheuse.

Placer la sècheuse au moins 460 mm (18 po) au-dessus du plancher pour une installation dans un garage.

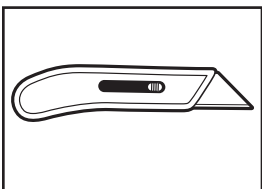
Le non-respect de ces instructions peut causer un décès, une explosion ou un incendie.

REMARQUE : Si l'ensemble de laveuse/sècheuse et du piédestal se trouve dans un garage, il faut ajouter 3" (76 mm) en dessous du piédestal pour que l'ensemble de laveuse/sècheuse soit à 18" (458 mm) au-dessus du plancher du garage.

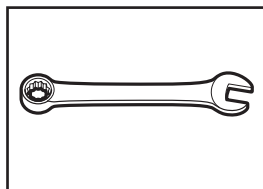
OUTILLAGE ET PIÈCES

Rassembler les outils et pièces nécessaires avant de commencer l'installation.

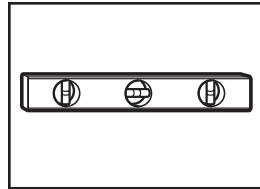
Outillage nécessaire :



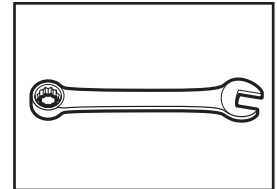
Couteau utilitaire



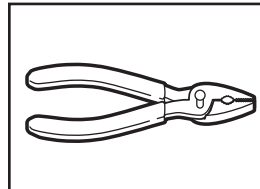
Clé à cliquet à tête hexagonale de 1/4" ou clé plate



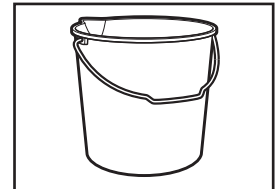
Niveau



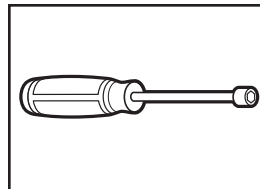
Clé plate 9/16"



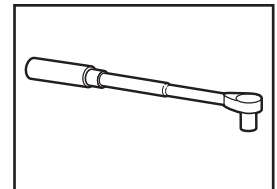
Pince ou pince articulée



Seau

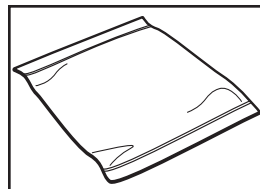


Tourne-écrou de 1/4"

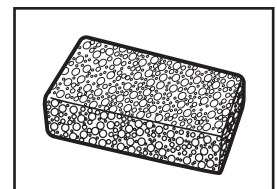


Cliquet ou tourne-écrou à tête hexagonale de 5/16"

Autres articles nécessaires :

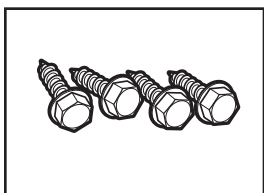


Serviette

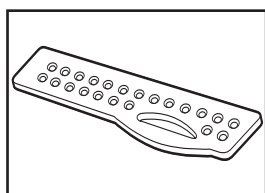


Éponge

Pièces fournies :



Quatre vis de tôlerie n°
12 x 3/4" à tête hexagonale



Cloison du tiroir

DESEMBALLAGE DU PIÉDESTAL

Préparation du piédestal pour l'installation

⚠ AVERTISSEMENT

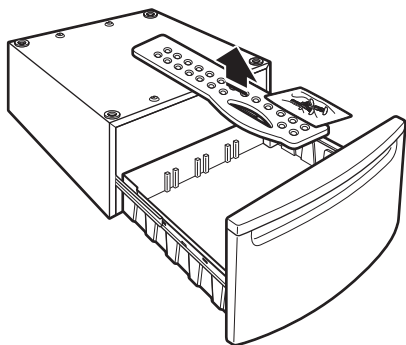
Risque du poids excessif

Utiliser deux ou plus de personnes pour déplacer et installer le piédestal.

Le non-respect de cette instruction peut causer une blessure au dos ou d'autre blessure.

IMPORTANT: Mettre la boîte du piédestal de côté pour pouvoir l'utiliser pendant l'installation.

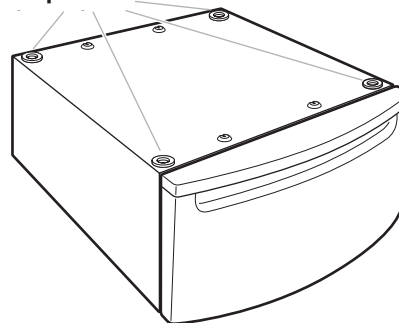
1. Vider le tiroir du piédestal



Ouvrir le tiroir du piédestal aussi loin que possible et vider son contenu. L'emballage contient quatre vis de tôlerie à tête hexagonale n° 12 x 3/4" et une cloison du tiroir.

2. Identifier les cales d'espacement

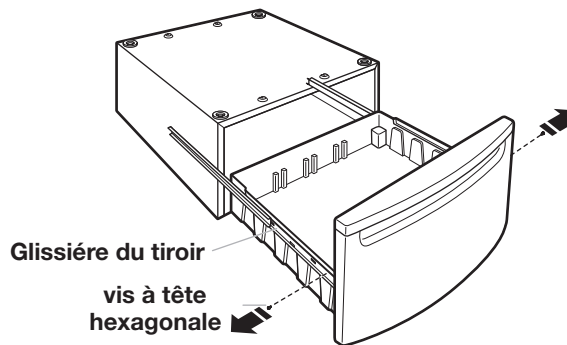
Cales d'espacement



Les quatre cales d'espacement sont installées sur le dessus du piédestal. Les cales réduisent les vibrations entre le piédestal et la laveuse/sécheuse.

REMARQUE : Si des pieds sont installés sur la laveuse/sécheuse, les retirer.

3. Retirer le tiroir du piédestal



À l'aide d'un tourne-écrou de 1/4", retirer les vis à tête hexagonale des deux glissières de tiroir et conserver les vis. Retirer le tiroir des glissières et le mettre de côté. Réinsérer les glissières dans le piédestal.

AVANT L'INSTALLATION DU PIÉDESTAL

IMPORTANT: Si l'ensemble de laveuse et sècheuse est déjà installé, on doit le désinstaller.

Désinstallation de la laveuse

Afin d'éviter d'endommager la laveuse, les boulons de transport à l'arrière de l'appareil doivent être en place avant l'installation du piédestal. Pour plus d'informations concernant les boulons de transport, voir "Élimination des accessoires de transport" dans le Guide d'utilisation et d'entretien de la laveuse.

⚠ AVERTISSEMENT

Risque du poids excessif

Utiliser deux ou plus de personnes pour déplacer et désinstaller la laveuse.

Le non-respect de cette instruction peut causer une blessure au dos ou d'autre blessure.

REMARQUE : Si la laveuse doit être transportée, appeler le centre de service local. Afin d'éviter tout endommagement de la suspension et de la structure, votre laveuse doit d'abord être correctement installé pour être ensuite réinstallé par un technicien certifié.

1. Fermer les robinets d'arrivée d'eau chaude et d'eau froide.
2. Débrancher le cordon d'alimentation électrique.
3. Desserrer doucement les tuyaux d'alimentation sur les robinets pour libérer la pression de l'eau. Utiliser une éponge ou une serviette pour absorber l'eau libérée.
4. Déconnecter les tuyaux d'arrivée d'eau chaude et d'eau froide portant les mentions "HOT" (chaud) et "COLD" (froid) de l'arrière de la laveuse. Laisser l'eau dans les tuyaux s'écouler dans un seau.
5. Enlever le tuyau de vidange du tuyau de rejet à l'égout ou de l'évier de buanderie et vidanger l'eau qui reste dans un seau.
6. Dégager la laveuse du mur pour avoir suffisamment d'espace pour l'installation.

Désinstallation de la sècheuse électrique

⚠ AVERTISSEMENT



Risque de choc électrique

Déconnecter la source de courant électrique avant l'entretien.

Replacer pièces et panneaux avant de faire la remise en marche.

Le non-respect de ces instructions peut causer un décès ou un choc électrique.

⚠ AVERTISSEMENT

Risque du poids excessif

Utiliser deux ou plus de personnes pour déplacer et désinstaller la sècheuse.

Le non-respect de cette instruction peut causer une blessure au dos ou d'autre blessure.

1. Débrancher le cordon d'alimentation électrique ou éteindre le câblage si la sècheuse comporte un raccordement direct.
2. Écarter la sècheuse du mur suffisamment pour pouvoir desserrer la bride du conduit d'évacuation. Desserrer la bride et retirer doucement le conduit d'évacuation de la bouche de décharge de la sècheuse.
3. Dégager la sècheuse du mur pour avoir suffisamment d'espace pour l'installation.

Désinstallation de la sècheuse à gaz

⚠ AVERTISSEMENT

Risque du poids excessif

Utiliser deux ou plus de personnes pour déplacer et désinstaller la sècheuse.

Le non-respect de cette instruction peut causer une blessure au dos ou d'autre blessure.

1. Débrancher le cordon d'alimentation électrique.
2. Fermer l'arrivée de gaz.
3. Écarter la sècheuse du mur suffisamment pour pouvoir desserrer la bride du conduit d'évacuation. Desserrer la bride et retirer doucement le conduit d'évacuation de la bouche de décharge de la sècheuse.
4. Déconnecter le conduit flexible de la canalisation de gaz de la sècheuse. Obturer avec du ruban adhésif l'ouverture de chaque raccord de la canalisation de gaz.
5. Dégager la sècheuse du mur pour avoir suffisamment d'espace pour l'installation.

⚠ AVERTISSEMENT

Risque du poids excessif

Utiliser deux ou plus de personnes pour déplacer et installer la laveuse/sécheuse.

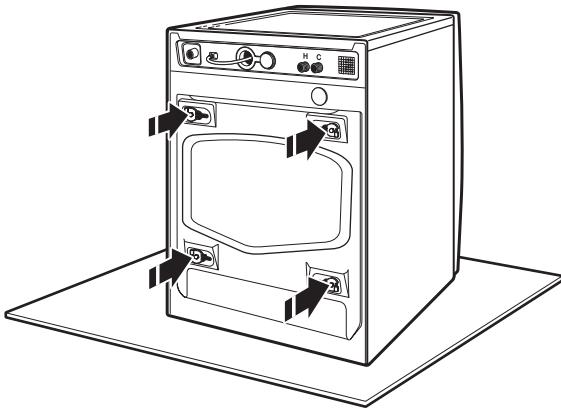
Le non-respect de cette instruction peut causer une blessure au dos ou d'autre blessure.

1. Déballez la laveuse/sécheuse et les placer à proximité de l'emplacement d'installation prévu.

INSTALLATION DU PIÉDESTAL

Installation du piédestal sur la laveuse

Vérifier que les boulons de transport sont en place



Repérer les boulons de transport à l'arrière de la laveuse. Les boulons de transport doivent rester sur la laveuse avant que le piédestal puisse être installé. Pour plus d'informations concernant les boulons de transport, voir "Élimination des accessoires de transport" dans le Guide d'utilisation et d'entretien de la laveuse.

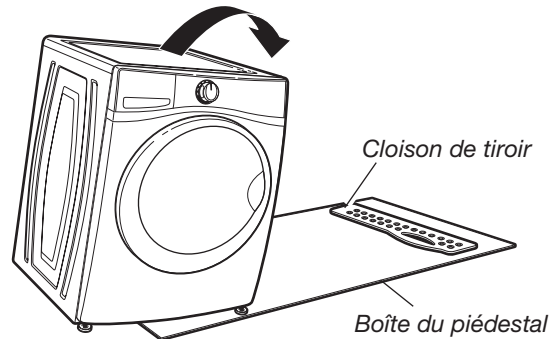
⚠ AVERTISSEMENT

Risque du poids excessif

Utiliser deux ou plus de personnes pour déplacer et installer la laveuse/sécheuse.

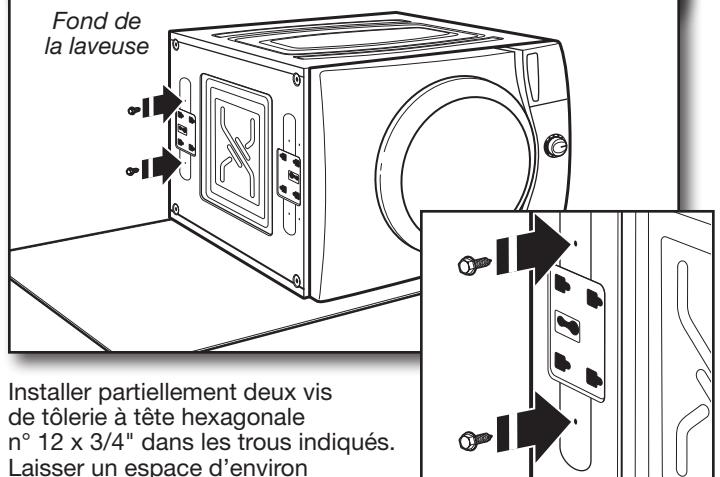
Le non-respect de cette instruction peut causer une blessure au dos ou d'autre blessure.

1. Placer la laveuse sur le côté



Pour éviter d'endommager le plancher et pour faciliter l'installation et la manipulation, déplier et aplatir la boîte du piédestal et la placer à proximité de la laveuse. Positionner la cloison de tiroir de façon à ce qu'elle se trouve à proximité du dessus de la laveuse, tel qu'indiqué. Mettre la laveuse sur le côté avec précaution de façon à ce qu'elle repose sur la cloison de tiroir.

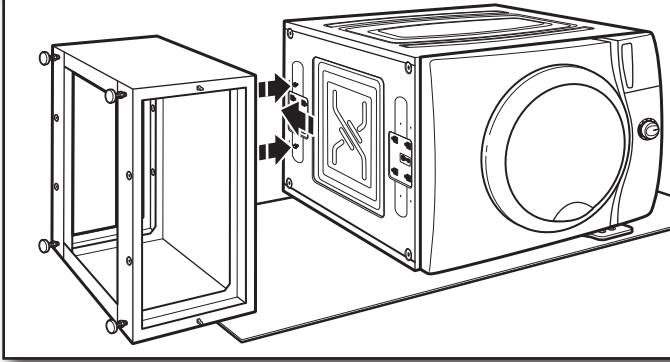
2. Préparation de la laveuse



Installer partiellement deux vis de tôle à tête hexagonale n° 12 x 3/4" dans les trous indiqués. Laisser un espace d'environ 3/8" (10 mm) entre la tête des vis et le fond de la laveuse.

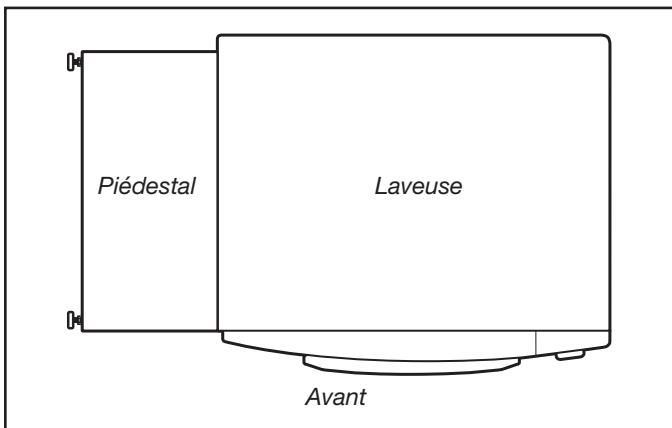
REMARQUE : Si des pieds de nivellement sont installés sur la laveuse, les enlever.

3. Fixation du piédestal à la laveuse



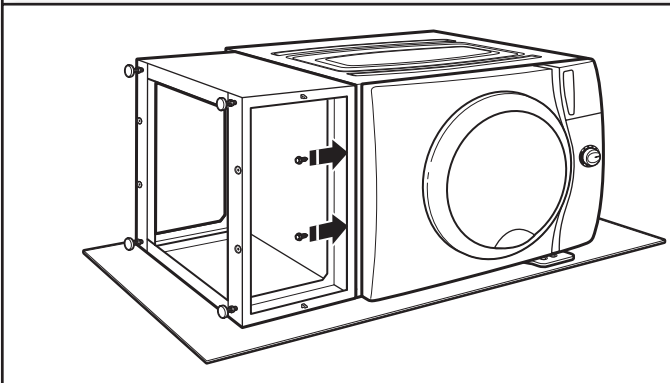
Placer le piédestal contre le fond de la laveuse. L'avant de la caisse du piédestal doit être aligné avec la caisse de la laveuse, tel qu'illustré ci-dessous.

Faire glisser les trous en poire du piédestal sur les deux vis inférieures partiellement vissées.



Vue du dessus

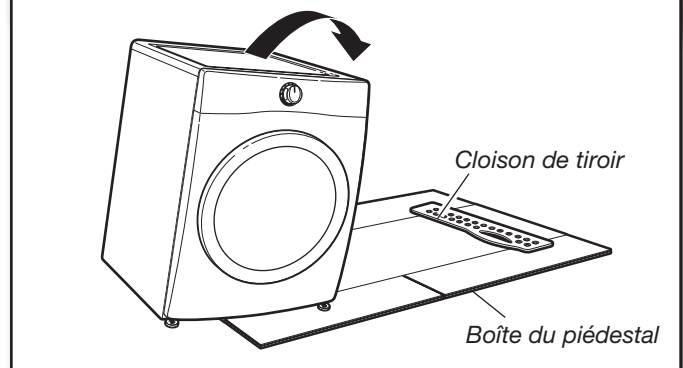
4. Fixation du piédestal à la laveuse



Positionner le piédestal vers l'avant de la laveuse et installer les deux vis de tôlerie à tête hexagonale restantes. Ne pas visser complètement. Passer maintenant à "Achever l'installation du piédestal".

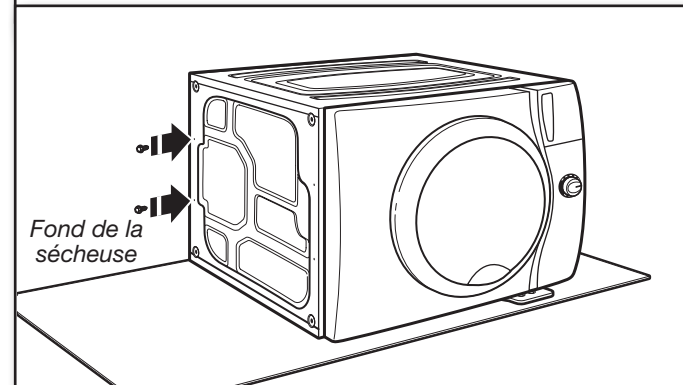
Installation du piédestal sur la sècheuse

1. Placer la sècheuse sur le côté



Pour éviter d'endommager le plancher et pour faciliter l'installation et la manipulation, déplier et aplatir la boîte du piédestal et la placer à proximité de la sècheuse. Positionner la cloison de tiroir de façon à ce qu'elle se trouve à proximité du dessus de la sècheuse, tel qu'indiqué. Mettre la sècheuse sur le côté avec précaution de façon à ce qu'elle repose sur la cloison de tiroir.

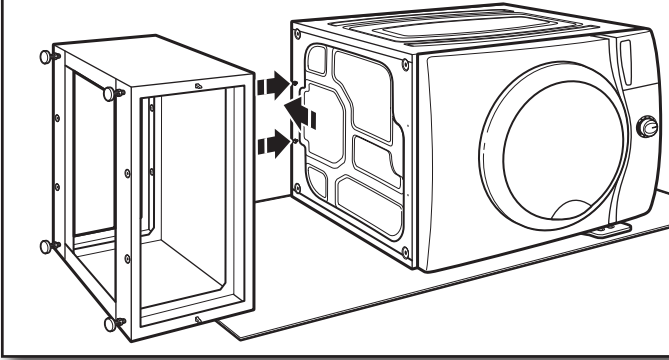
2. Préparer la sècheuse



Installer partiellement deux vis de tôlerie à tête hexagonale n° 12 x 3/4" dans les trous indiqués. Laisser un espace d'environ 3/8" (10 mm) entre la tête des vis et le fond de la sècheuse.

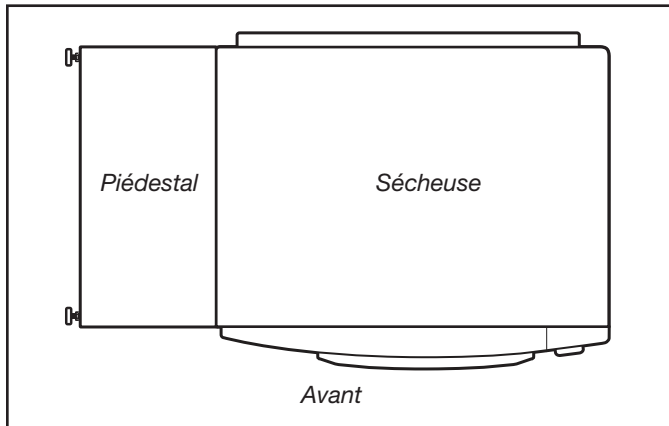
REMARQUE : Si des pieds de nivellement sont installés sur la sècheuse, les enlever. Ne pas installer les pieds livrés avec la sècheuse neuve.

3. Fixation du piédestal à la sècheuse



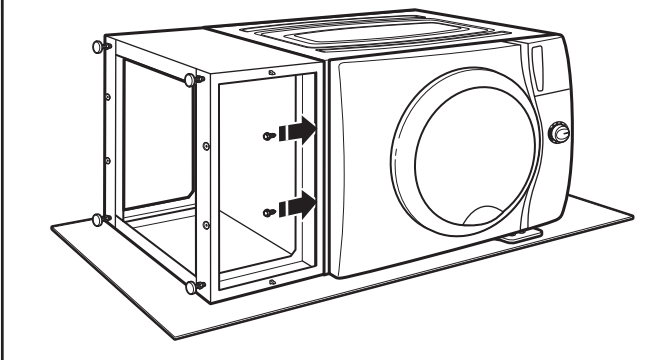
Placer le piédestal contre le fond de la sècheuse. L'avant de la caisse du piédestal doit être aligné avec la caisse de la sècheuse, tel qu'illustré ci-dessous.

Faire glisser les trous en poire du piédestal sur les 2 vis inférieures partiellement vissées.



Vue du dessus

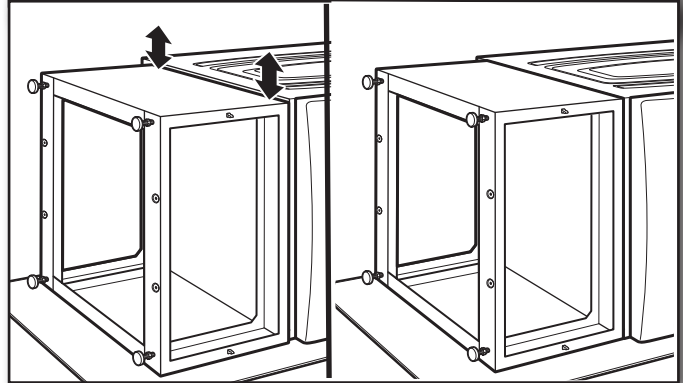
4. Fixation du piédestal à la sècheuse



Positionner le piédestal vers l'avant de la sècheuse et installer les deux vis de tôle à tête hexagonale restantes. Ne pas visser complètement. Passer maintenant à "Achever l'installation du piédestal".

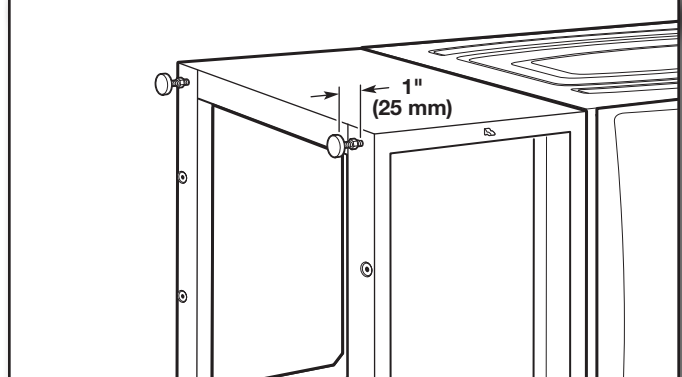
ACHEVER L'INSTALLATION

1. Aligner les côtés du piédestal



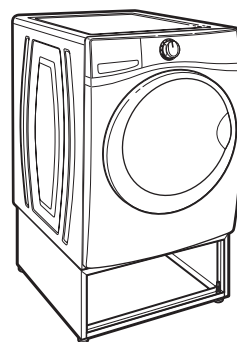
Aligner les côtés du piédestal pour qu'ils soient de niveau avec les côtés de la laveuse/sècheuse. Atteindre l'intérieur de l'ouverture du piédestal et serrer solidement les quatre vis du piédestal.

2. Préparer les pieds du piédestal



À l'aide d'un cliquet à tête hexagonale de 1/4" ou d'une clé plate, abaisser les pieds jusqu'à environ 1" (25 mm) du bas du piédestal.

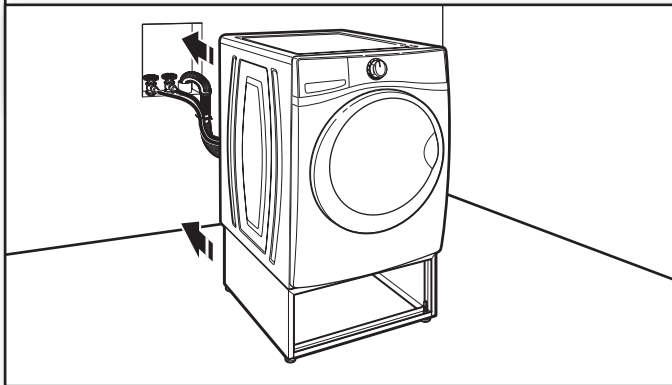
3. Ramener la laveuse/sècheuse en position verticale



Incliner la laveuse/sècheuse pour la ramener à sa position verticale initiale. Retirer tous les matériaux d'emballage encore présents. Mettre la boîte du piédestal de côté pour l'utiliser lors de l'installation d'un autre piédestal. Une fois la laveuse et la sècheuse installées, jeter/recycler tous les matériaux d'emballage.

Nivellement de la laveuse/sécheuse

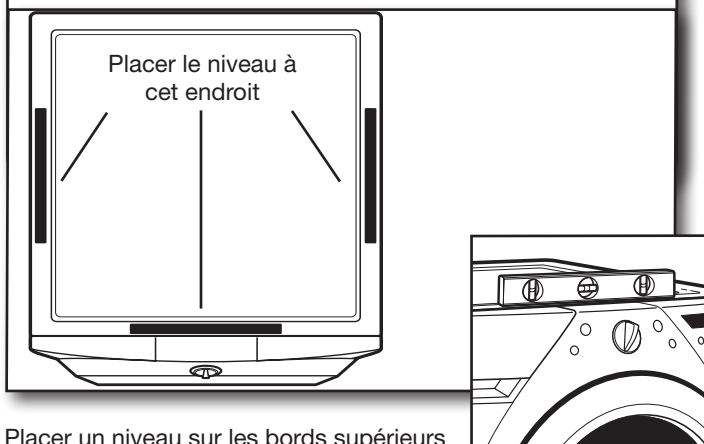
1. Déplacer l'appareil près de son emplacement définitif



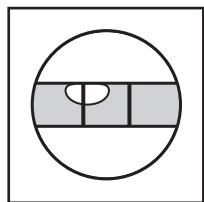
Suivre les Instructions d'installation fournies avec votre laveuse/sécheuse pour terminer l'installation ou la réinstallation de la laveuse/sécheuse (tuyaux, évacuation, etc.)

REMARQUE : Veiller à retirer les boulons de transport de l'arrière de la laveuse.

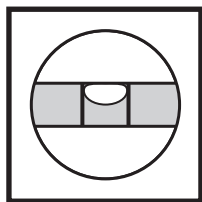
2. Vérifier l'aplomb de la laveuse/sécheuse



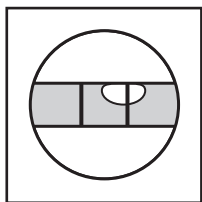
Placer un niveau sur les bords supérieurs de la laveuse/sécheuse en contrôlant chaque côté et l'avant. Faire bouger la laveuse/sécheuse d'avant en arrière pour s'assurer que les quatre pieds sont bien en contact avec le plancher.



Pas d'aplomb



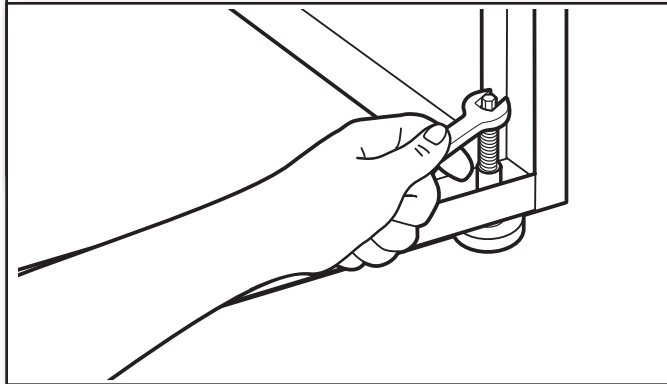
D'aplomb



Pas d'aplomb

Si la laveuse/sécheuse n'est pas d'aplomb, relever ou abaisser les pieds du piédestal, recommencer si nécessaire.

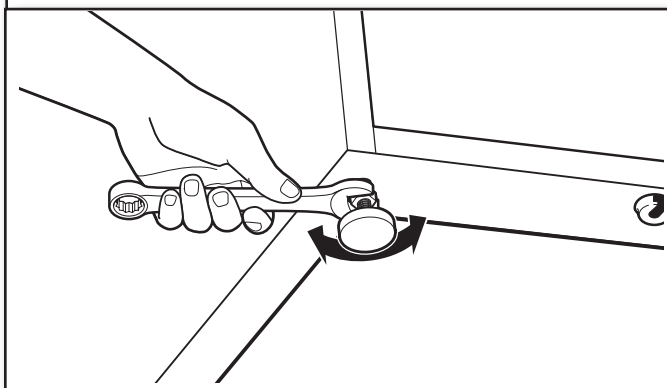
3. Ajuster les pieds du piédestal



Insérer les vis de 1/4" à tête hexagonale en haut de chaque pied du piédestal. Atteindre l'intérieur du piédestal et utiliser un cliquet de 1/4" à tête hexagonale ou une clé plate pour ajuster les pieds vers le haut ou vers le bas de façon à établir l'aplomb de la laveuse ou de la sécheuse.

REMARQUE : S'assurer que les quatre pieds de piédestal sont bien en contact avec le plancher.

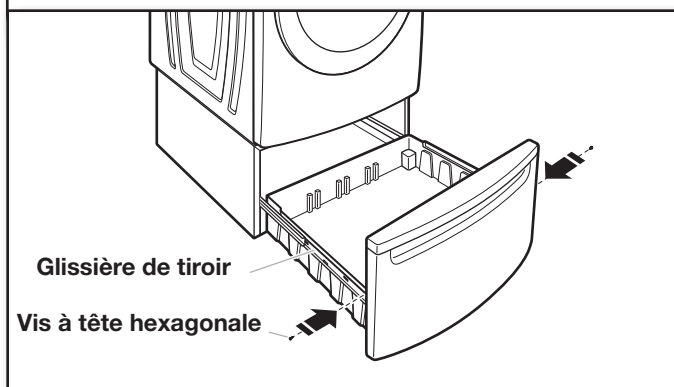
4. Bien serrer les contre-écrous



Une fois la laveuse ou la sécheuse d'aplomb et les quatre pieds sont bien en contact avec le plancher, utiliser une clé plate de 9/16" pour fixer solidement les quatre contre-écrous contre le piédestal.

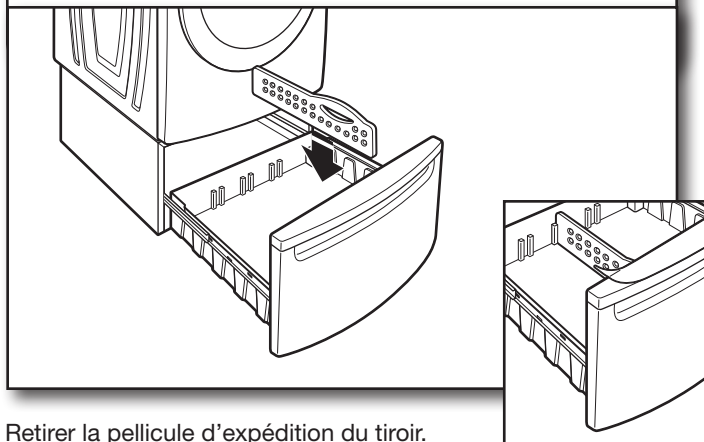
IMPORTANT : Les contre-écrous doivent être serrés pour éviter les vibrations.

1. Réinstaller le tiroir de piédestal



Tirer sur les deux glissières de tiroir pour les extraire et réinstaller le tiroir sur les glissières de tiroir à l'aide des deux vis à tête hexagonale.

2. Placer la cloison du tiroir dans le tiroir



REMARQUE : L'utilisation de la cloison est facultative.

W10347252B
W10348602B - SP

©2010
Whirlpool Corporation.
All rights reserved.
Tous droits réservés.

WHIRLPOOL is a trademark of Whirlpool, U.S.A.
WHIRLPOOL est une marque de commerce de Whirlpool, U.S.A.

12/2010
Printed in U.S.A.
Imprimé aux É.-U.