



4.5 cu. ft. Front Load Washer

MHW5630H



Metallic Slate
MHW5630HC

Also available in:

White

MHW5630HW

Capacity	
Total	4.5 cu. ft.
General Features & Properties	
Quick Wash Cycle	
Maytag® Commercial Technology	
10-Year Limited Parts Warranty** on the Direct Drive Motor and Stainless Steel Wash Basket	
Internal Heater	
American Pride	
Late Add Feature	
Steam Option	
4.5 cu. ft. Capacity	
Direct Drive Motor	
Electrical Details	
Amps	15 or 20
Volts	120
Certifications	
ADA Compliant	Yes
ENERGY STAR® Certified	Yes

Technical Details	
Drum Material	Stainless Steel
Control Location	Front
Control Type	Knobs
Number of Cycles	10
Washer Cycle Selections	Bulky Items Clean Washer with affresh® Delicates Drain & Spin Heavy Duty Normal Quick Wash Towels Whites Wrinkle Control
Number of Options	9
Washer Option Selections	Delay Wash Extra Power / Boost Option Extra Rinse Steam Clean

Dimensions	
Product Dimensions (H x W x D)	38-5/8" x 27" x 31-5/16"
Depth with Door Open 90°	51-5/16"

Reference Material

[Install Guide](#)

[Use & Care Guide](#)

[Energy Guide](#)

[Warranty](#)

Key Features & Benefits

Powerful Cleaning

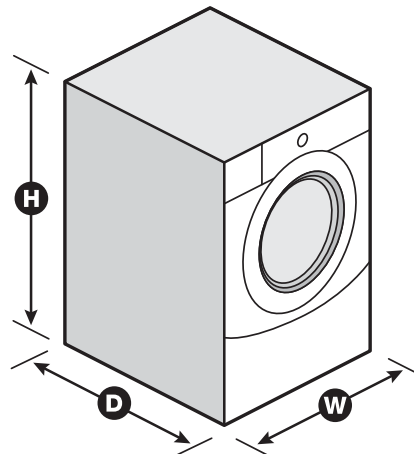
Most Powerful Cleaning in the industry* driven by the Heavy Duty cycle with Extra Power button.

Extra Power Button

Some stains dissolve best in hot water. Others in cold. With the push of a button, Maytag fights both in a single load. The Extra Power button boosts stain-fighting performance on any wash cycle with a dual-temperature wash.

12 Hr Fresh Spin™ Option

Guards against wrinkles when loads can't be moved to the dryer right away, thanks to additional tumbling up to 12 hours after the wash cycle ends.



*Models with Extra Power option: MHW8630H, MHW6630H, MHW5630H. Based on cleaning score of a 20-lb load, among leading front load brands, Heavy Duty cycle plus Extra Power vs. comparable cycles and options. **Visit maytag.com for warranty details. NOTE: Dimensions are for planning purposes only. For complete details, see Installation Instructions packed with product. Specifications subject to change without notice.



7.3 cu. ft. Front Load Electric Dryer

MED5630H



Chrome Shadow
MED5630HC

Also available in:



White

MED5630HW

Capacity

Total 7.3 cu. ft.

General Features & Properties

Maytag® Commercial Technology

10-Year Limited Parts Warranty** on the Drive Motor and Drum

American Pride

7.3 cu. ft. Capacity

Wrinkle Prevent Option

An American company for over 100 years

Electrical Details

Hz 60

Amps 30

Volts 240

Certifications

ADA Compliant Yes

ENERGY STAR® Certified Yes

Technical Details

Drum Material Powder Coat

Fuel Type Electric

Door Style Side Swing

Reversible Door Yes

Number of Dryer Cycles 10

Selection of Drying Cycles
Bulky Items
Delicates
Heavy Duty
Normal
Quick Dry
Regular
Timed Dry
Towels
Whites
Wrinkle Control

Dryer Option Selections
Control Lock
Cycle Signal
Wrinkle Prevent

Dimensions

Product Dimensions (H x W x D) 38-1/8" x 27" x 30-11/16"

Depth with Door Open 90° 50-11/16"

Maximum Vent Length 64'

Venting Direction Left, Right, Bottom, Rear

Ventless No

Reference Material

[Install Guide](#)

[Use & Care Guide](#)

[Warranty](#)

Key Features & Benefits

Extra Power Button

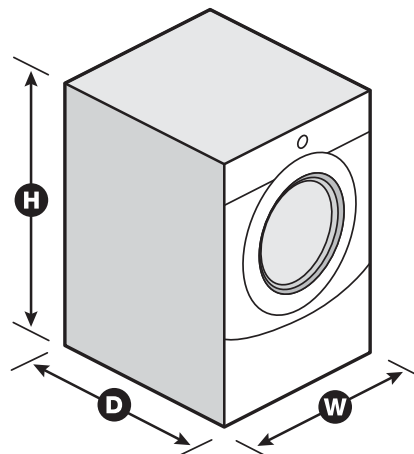
The Extra Power button boosts drying power on any cycle by extending time, heat and tumbling. One push helps prevent underdrying by getting thick fabrics, pockets and seams drier the first time.*

Advanced Moisture Sensing

Advanced Moisture Sensing monitors inside moisture and air temperatures to help evenly dry loads.

Quick Dry Cycle

Dry a small load fast with the Quick Dry cycle, which pairs nicely with the Quick Wash cycle on select Maytag® washers to get clothes ready in no time.



*Results may vary based on load size and type. **Visit maytag.com for warranty details. NOTE: Dimensions are for planning purposes only. For complete details, see Installation Instructions packed with product. Specifications subject to change without notice.

FRONT LOAD WASHER AND DRYER PEDESTAL

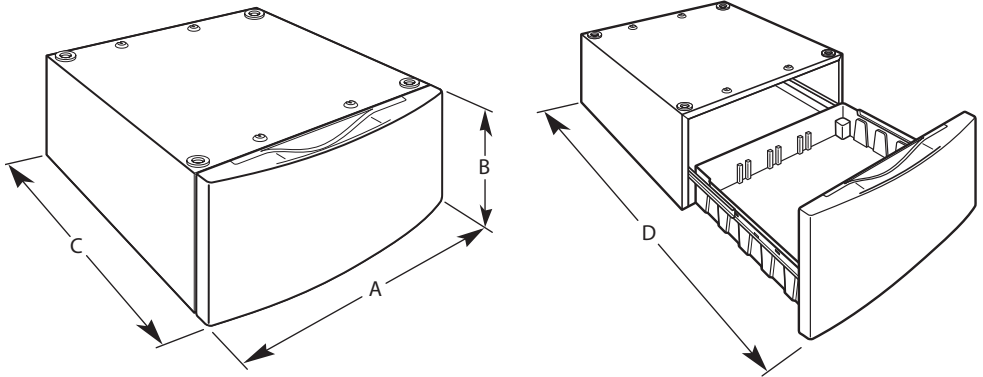
PRODUCT MODEL NUMBERS

XHPC155XG XHPC155YC
 XHPC155XL XHPC155WW
 XHPC155XR XHPC155YU
 XHPC155XW XHPW155DW

LOCATION REQUIREMENTS

If the washer/dryer and pedestal assembly are located in a garage, 3" (76 mm) must be added under the pedestal so that the washer/dryer is 18" (458 mm) above the garage floor.

PRODUCT DIMENSIONS



Width - "A"	Height - "B"	Depth - includes drawer "C"	Depth - Drawer open "D"
27" (686 mm)	15" (381 mm)	27½" (699 mm)	41½" (1054 mm)