



# 4.5 cu. ft. Front Load Washer

MHW5630H



Metallic Slate  
MHW5630HC

### Also available in:

White

**MHW5630HW**

### Capacity

Total 4.5 cu. ft.

### General Features & Properties

Quick Wash Cycle

Maytag® Commercial Technology

10-Year Limited Parts Warranty\*\* on the Direct Drive Motor and Stainless Steel Wash Basket

Internal Heater

American Pride

Late Add Feature

Steam Option

4.5 cu. ft. Capacity

Direct Drive Motor

### Electrical Details

Amps 15 or 20

Volts 120

### Certifications

ADA Compliant Yes

ENERGY STAR® Certified Yes

### Technical Details

Drum Material Stainless Steel

Control Location Front

Control Type Knobs

Number of Cycles 10

Washer Cycle Selections Bulky Items  
Clean Washer with affresh®  
Delicates  
Drain & Spin  
Heavy Duty  
Normal  
Quick Wash  
Towels  
Whites  
Wrinkle Control

Number of Options 9

Washer Option Selections Delay Wash  
Extra Power / Boost Option  
Extra Rinse  
Steam Clean

### Dimensions

Product Dimensions (H x W x D) 38-5/8" x 27" x 31-5/16"

Depth with Door Open 90° 51-5/16"

### Reference Material

[Install Guide](#)

[Use & Care Guide](#)

[Energy Guide](#)

[Warranty](#)

### Key Features & Benefits

#### Powerful Cleaning

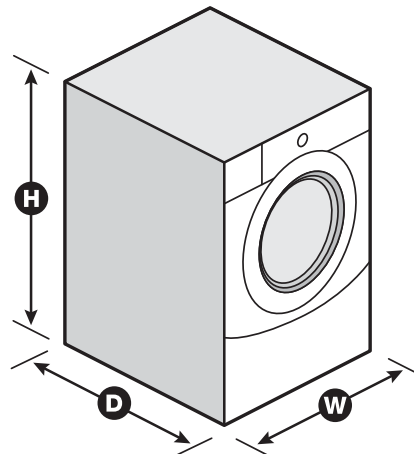
Most Powerful Cleaning in the industry\* driven by the Heavy Duty cycle with Extra Power button.

#### Extra Power Button

Some stains dissolve best in hot water. Others in cold. With the push of a button, Maytag fights both in a single load. The Extra Power button boosts stain-fighting performance on any wash cycle with a dual-temperature wash.

#### 12 Hr Fresh Spin™ Option

Guards against wrinkles when loads can't be moved to the dryer right away, thanks to additional tumbling up to 12 hours after the wash cycle ends.



\*Models with Extra Power option: MHW8630H, MHW6630H, MHW5630H. Based on cleaning score of a 20-lb load, among leading front load brands, Heavy Duty cycle plus Extra Power vs. comparable cycles and options. \*\*Visit maytag.com for warranty details. NOTE: Dimensions are for planning purposes only. For complete details, see Installation Instructions packed with product. Specifications subject to change without notice.

®/™ © 2020. All rights reserved. Printed in the U.S.A. D200104XXD. MHW5630HSpecSheetV01.



# 7.3 cu. ft. Front Load Electric Dryer

## MED5630H



Chrome Shadow  
MED5630HC

### Also available in:



White

**MED5630HW**

## Key Features & Benefits

### Extra Power Button

The Extra Power button boosts drying power on any cycle by extending time, heat and tumbling. One push helps prevent underdrying by getting thick fabrics, pockets and seams drier the first time.\*

### Advanced Moisture Sensing

Advanced Moisture Sensing monitors inside moisture and air temperatures to help evenly dry loads.

### Quick Dry Cycle

Dry a small load fast with the Quick Dry cycle, which pairs nicely with the Quick Wash cycle on select Maytag® washers to get clothes ready in no time.

## Capacity

Total 7.3 cu. ft.

## General Features & Properties

Maytag® Commercial Technology

10-Year Limited Parts Warranty\*\* on the Drive Motor and Drum

American Pride

7.3 cu. ft. Capacity

Wrinkle Prevent Option

An American company for over 100 years

## Electrical Details

Hz 60

Amps 30

Volts 240

## Certifications

ADA Compliant Yes

ENERGY STAR® Certified Yes

## Technical Details

Drum Material Powder Coat

Fuel Type Electric

Door Style Side Swing

Reversible Door Yes

Number of Dryer Cycles 10

Selection of Drying Cycles  
Bulky Items  
Delicates  
Heavy Duty  
Normal  
Quick Dry  
Regular  
Timed Dry  
Towels  
Whites  
Wrinkle Control

Dryer Option Selections  
Control Lock  
Cycle Signal  
Wrinkle Prevent

## Dimensions

Product Dimensions (H x W x D) 38-1/8" x 27" x 30-11/16"

Depth with Door Open 90° 50-11/16"

Maximum Vent Length 64'

Venting Direction Left, Right, Bottom, Rear

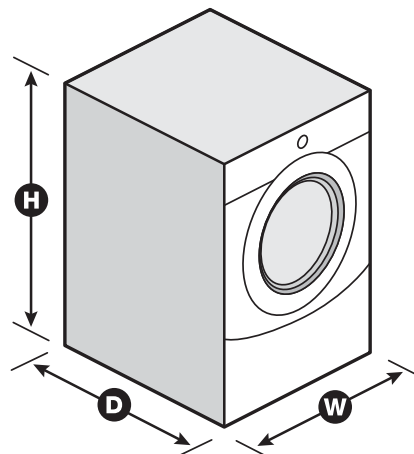
Ventless No

## Reference Material

[Install Guide](#)

[Use & Care Guide](#)

[Warranty](#)



\*Results may vary based on load size and type. \*\*Visit maytag.com for warranty details. NOTE: Dimensions are for planning purposes only. For complete details, see Installation Instructions packed with product. Specifications subject to change without notice.