



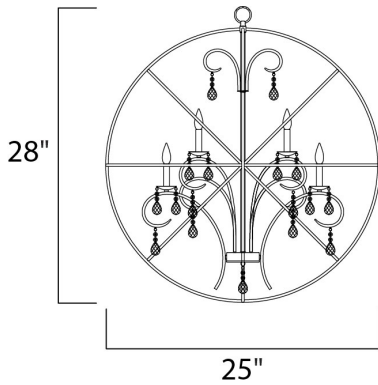


**PRODUCT DESCRIPTION**

A spherical frame of metal surround a simple line chandelier draped in crystal for a transitional style that fits any interior design. Orbit is available in 2 sizes and 2 finishes, Oil Rubbed Bronze with Cognac crystal and a combo finish of Anthracite and Polished Nickel with Clear crystal.

**FINISHES OPTION**

-  Anthracite / Polished Nickel
-  Oil Rubbed Bronze



**MEASUREMENTS**

DIMENSION : 25" L x 25" W x 28" H  
 MAX OAH : 64" OAH  
 HANGING WEIGHT : 17.67 lb

**LAMPING**

INPUT VOLTAGE : 120V  
 LUMENS : 0 Rated  
 BULB : 6 x 60W Incandescent E12 Candelabra , 360W Total  
 BULB INCLUDED : (Not Included)  
 DIMMABLE : Yes

**MATERIAL**

Steel + Crystal

**RATINGS**

cULus  
 Dry Location



**ADDITIONAL**

ADJUSTABLE  
 OPERATING TEMPERATURE:  
 -20°C (-4°F), 40°C (104°F)

Always consult a qualified electrician before installing any lighting product.



**WESTERN DISTRIBUTION CENTER (HEADQUARTER)**  
 253 NORTH VINELAND AVE | CITY OF INDUSTRY, CA 91746

**EASTERN DISTRIBUTION CENTER**  
 4200 SHIRLEY DR. | ATLANTA, GA 30336

P. 626.956.4200 | F. 626.956.4225 | maximlighting.com