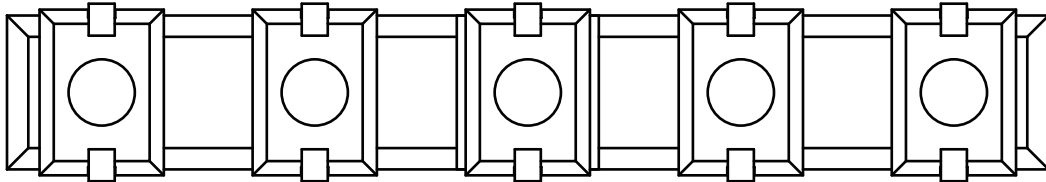




PRODUCT NAME: Radiant 5-Light LED Bath Vanity  
ITEM NUMBER: 39533CYBKGL

Please consult your electrician for hanging fixture and wiring.



This fixture is designed to dim with an Electronic Low Voltage dimmer. Dimming levels will vary by dimmer.

Below is a List of Recommended Dimmers:

Lutron DVELV-300P

Lutron SAELV-153P

Leviton 6674-POW

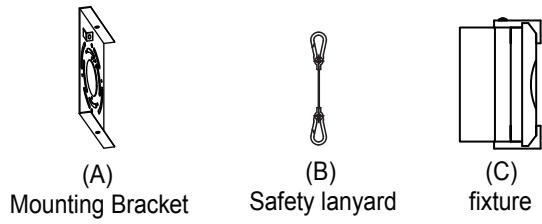
Legrand RH703PTU

Due to inrush current wattage should not exceed 150 watts of product for a 600 watt dimmer.

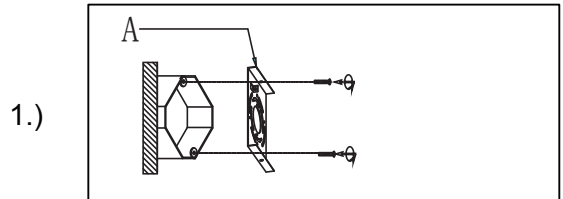
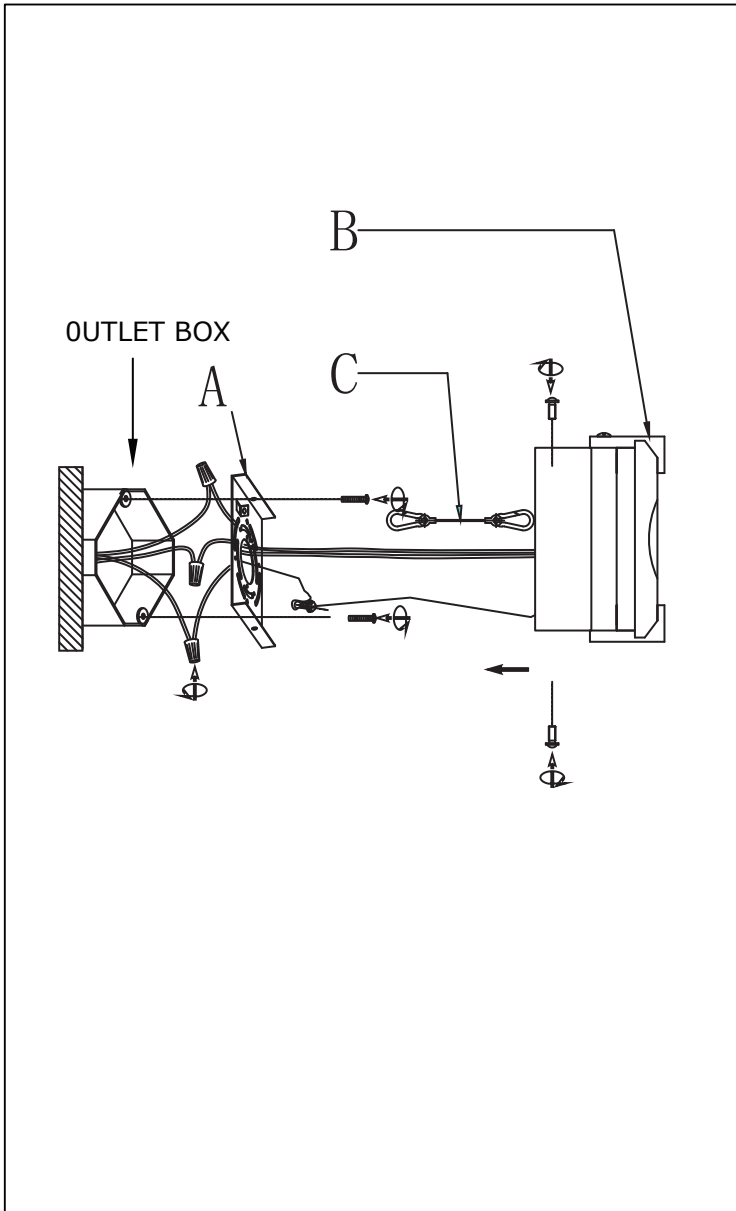
**WARNING:** Wires need to be connected to driver found in canopy and should not be connected directly to power source or a short may occur .

**Bulbs (Integrated): LED 29W**

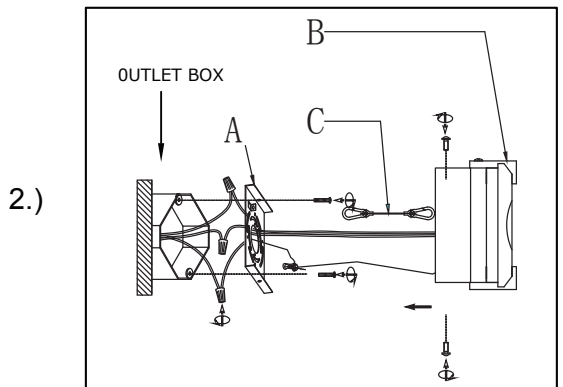
**IMPORTANT:** Turn off the power at the main fuse or circuit breaker box before starting installation



Locate all hardware & components before discarding packaging



1.) Step.1: Remove mounting bracket from fixture and install to electrical box. Then wire fixture to wires in outlet box. Copper wire is for Ground.



2.) Step.2: Connect safety lanyard(B) to Mounting Bracket(A). Attach back plate to mounting bracket and tighten ball nuts so fixture meets wall. Install fixture to back plate using two screws on side.

**Cleaning & Care:**  
Clean with soft cloth and a mild detergent.  
Do not use abrasive cleaner.