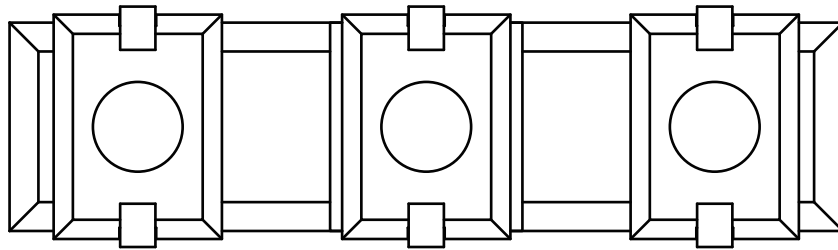




PRODUCT NAME: Radiant 3-Light LED Bath Vanity
ITEM NUMBER: 39532CYBKGL

Please consult your electrician for hanging fixture and wiring.



This fixture is designed to dim with an Electronic Low Voltage dimmer. Dimming levels will vary by dimmer.

Below is a List of Recommended Dimmers:

Lutron DVELV-300P

Lutron SAELV-153P

Leviton 6674-POW

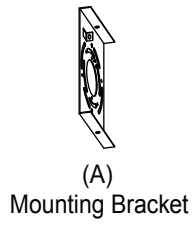
Legrand RH703PTU

Due to inrush current wattage should not exceed 150 watts of product for a 600 watt dimmer.

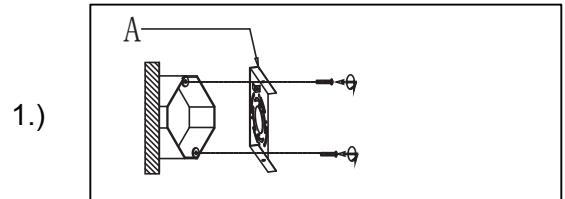
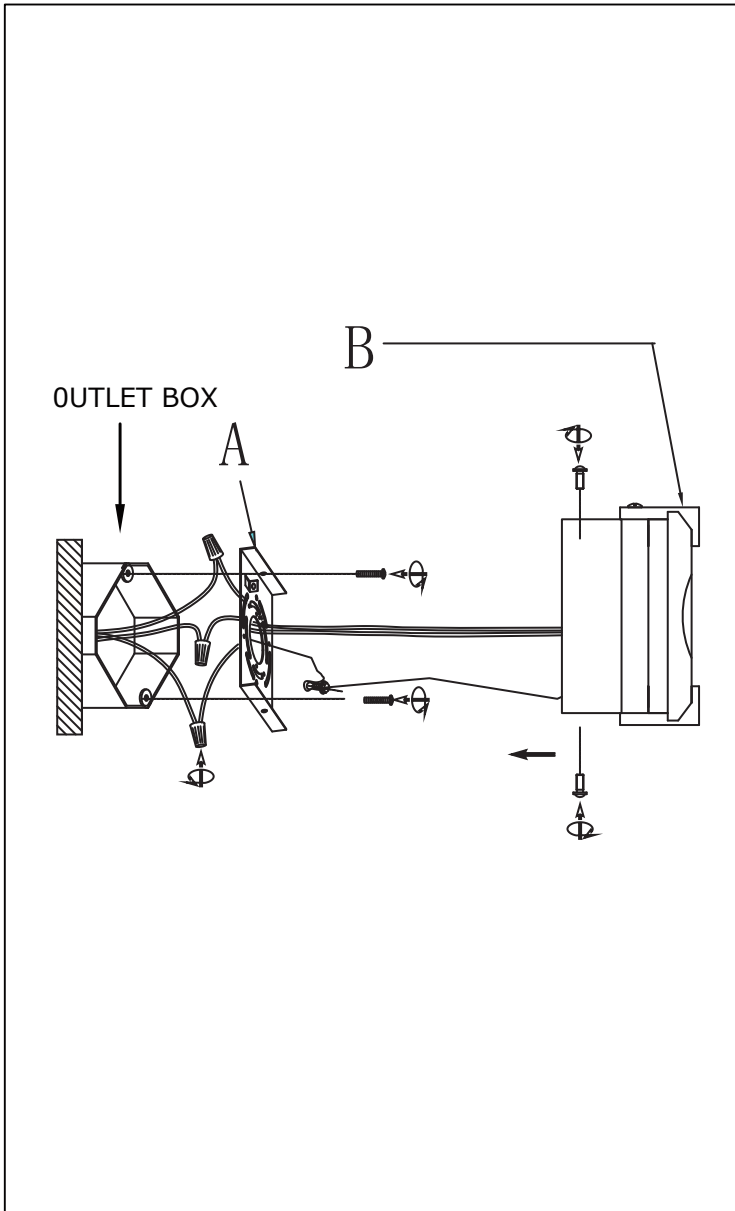
WARNING: Wires need to be connected to driver found in canopy and should not be connected directly to power source or a short may occur .

Bulbs (Integrated): LED 18.5W

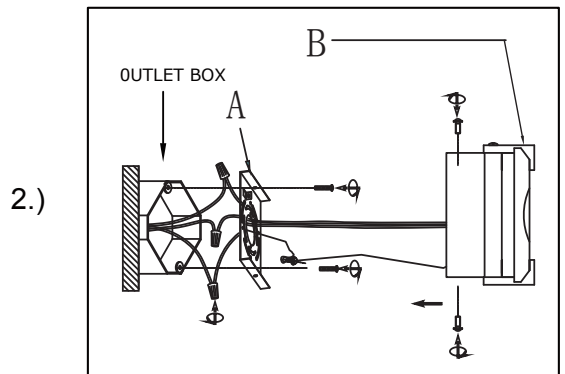
IMPORTANT: Turn off the power at the main fuse or circuit breaker box before starting installation



Locate all hardware & components before discarding packaging



1.) Step.1: Remove mounting bracket from fixture and install to electrical box. Then wire fixture to wires in outlet box. Copper wire is for Ground.



2.) Step.2: Attach back plate to mounting bracket and tighten ball nuts so fixture meets wall. Install fixture to back plate using two screws on side.

Cleaning & Care:
Clean with soft cloth and a mild detergent.
Do not use abrasive cleaner.