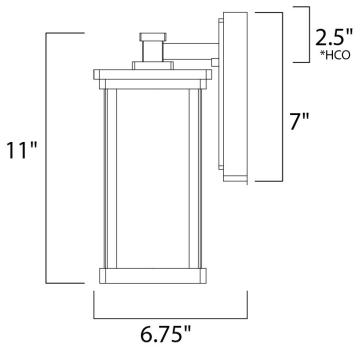




PRODUCT DESCRIPTION



*height from center of outlet to the top of the fixture

MEASUREMENTS

DIMENSION : 5.25" W x 11." H x 6.75" Ext
 BACK PLATE : 4.5" W x 7." H x 2.5" HCO
 HANGING WEIGHT : 2.86 lb

LAMPING

INPUT VOLTAGE : 120V
 LUMENS : 800 Rated
 BULB : 1 x 9W (INCLUDED), 9W Total
 CRI : 90+ CRI
 COLOR_TEMP : 3000K

FINISHES OPTION

Bronze BZ



GLASS

Frosted Seedy FS

MATERIAL

Die Cast Aluminum

RATINGS

ETL / cETL iP65
 Wet Location
 CA Title 24



ADDITIONAL

INSTALL UP/DOWN:
 INCANDESCENT WATTS:
 RATED LIFE 25000 Hours
 OPERATING TEMPERATURE:
 -20°C (-4°F), 40°C (104°F)

Always consult a qualified electrician before installing any lighting product.



WESTERN DISTRIBUTION CENTER (HEADQUARTER)
 253 NORTH VINELAND AVE | CITY OF INDUSTRY, CA 91746
EASTERN DISTRIBUTION CENTER
 4200 SHIRLEY DR. | ATLANTA, GA 30336
 P. 626.956.4200 | F. 626.956.4225 | maximlighting.com